

Application

The Medallion grille is ideally suited for architectural accents, facades, screening, and security barriers and is designed for both interior and external installations. The Medallion grille is available in a wide array of finishes including custom color matching.

Standard Construction

Material: 6063-T5 extruded aluminum.

Frame: 0.125" (3.175) thick.

Blade: 0.125" (3.175) thick.

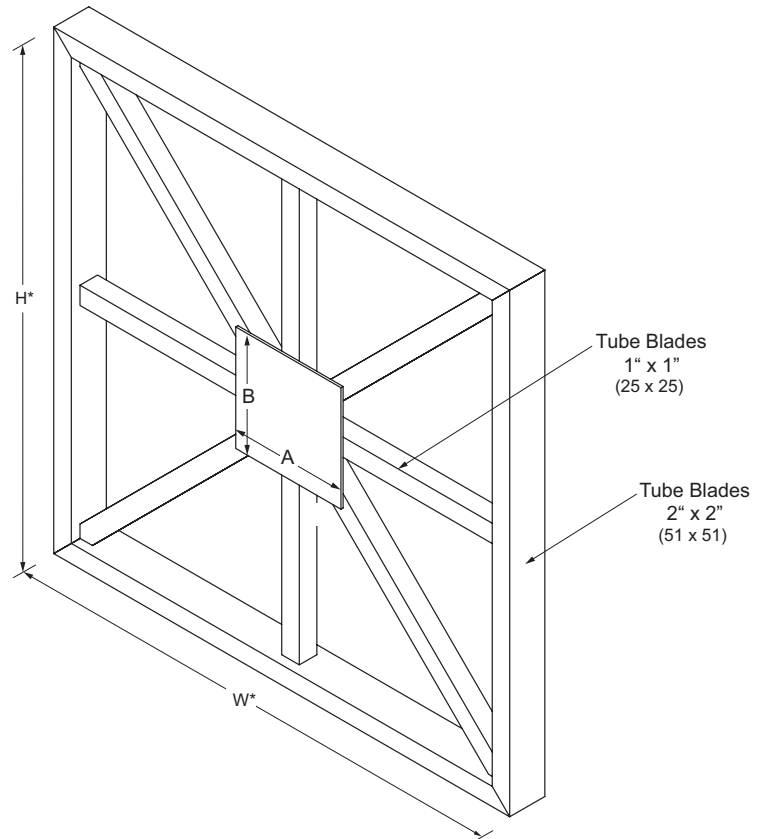
Plate Thickness: 0.125" (3.175) 5005 Sheet Aluminum.

Minimum Size: 12" x 12" (305 x 305).

Maximum Size: Single section: 60" x 180" (1524 x 4572)
 One Dimension must be 60" (1524) or less.

Options

- Factory finish:
 - High Performance Fluoropolymer - 100% resin Newlar®/70% resin Kynar®
 - Baked Enamel
 - Clear Anodize
 - Integral Color Anodize
 - Prime Coat
- Medallion Plate
 - Exterior
 - Both Sides



Model **MEDALLION**
 (standard)

*Grille dimensions furnished approximately 1/2" (13) undersize.

Dimension	Description
A _____ inches	Medallion Plate Width
B _____ inches	Medallion Plate Height

The illustrated design for this Medallion Grille was created to a design load of 30 lbs per square foot. Changes may be required to accommodate other design loads