

Application

The ECV-445 offers exceptional protection against wind-driven rain under the most severe conditions and is ideally suited for high wind areas or applications that are sensitive to wind-driven rain penetration. The ECV-445 incorporates vertical blades and is available in a wide array of anodized and painted finishes including custom color matching.

Standard Construction

Material: Mill finish 6063-T5 extruded aluminum.

Frame: 4" deep x 0.081" thick (102 x 2) channel.

Blades: 45° x 0.060" (1.5) thick vertical style.

Screen: 1/2" x 0.063" (12.7 x 1.6) expanded and flattened aluminum.

Mullion: Visible.

Sill Flashing: Closed end.

Minimum Size: 8" x 8" (203 x 203)

Maximum Size: Single section: 60" x 120" (1524 x 3048)
120" x 60" (3048 x 1524)
Multiple section: Unlimited

Options

- Factory finish:
 - High Performance Fluoropolymer - 100% resin Newlar®/ 70% resin Kynar®
 - Baked Enamel
 - Clear or Color Anodized, Class 1
 - Prime Coat
- Flange frame:
 - 1 1/2" (38) flange frame
 - Custom-size flange
 - Stucco flange
 - Glazing frame
- Welded construction
- Alternate bird or insect screens
- Insulated or non-insulated blank-off panels
- Filter racks
- Hinged frame
- Head flashing
- Installation hardware:
 - Clip angles
 - Continuous angles
- Burglar bars
- Frame closure

Ratings

Free Area: [48" x 48" (1219 x 1219) unit]: 6.9 ft² (0.64 m²)
42.9%

Performance @ Beginning Point of Water Penetration

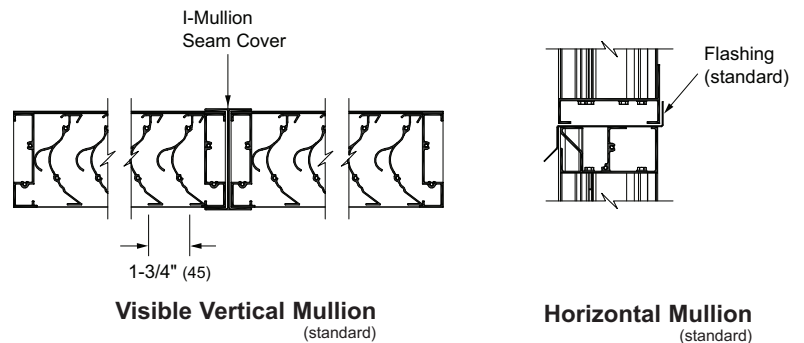
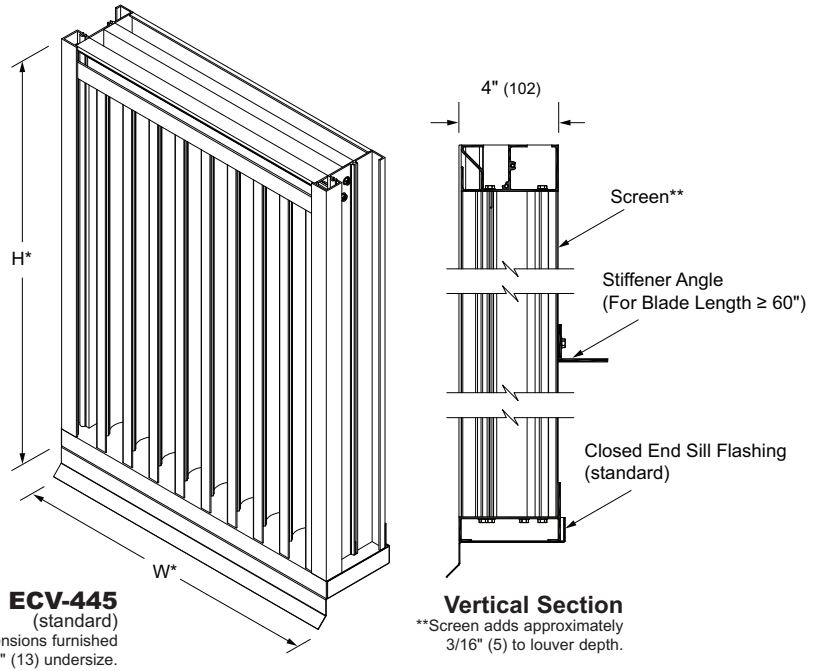
Free Area Velocity: 1,250 fpm (6.35 m/s)

Air Volume Delivered: 8,575 cfm (4.05 m³/s)

Pressure Loss: 0.30 in.wg. (75 Pa)

Velocity @ 0.15 in.wg. Pressure Loss: 872 fpm (4.43 m/s)

Design Load: 30 psf



Certified Ratings:

All-Lite certifies that the model ECV-445 shown herein is licensed to bear the AMCA seal. The ratings shown are based on tests and procedures performed in accordance with AMCA Publication 511 and comply with the requirements of the AMCA Certified Ratings Program. The AMCA Certified Ratings seal applies to water penetration, air performance and wind driven rain ratings.



Performance Data

Free Area (ft²)

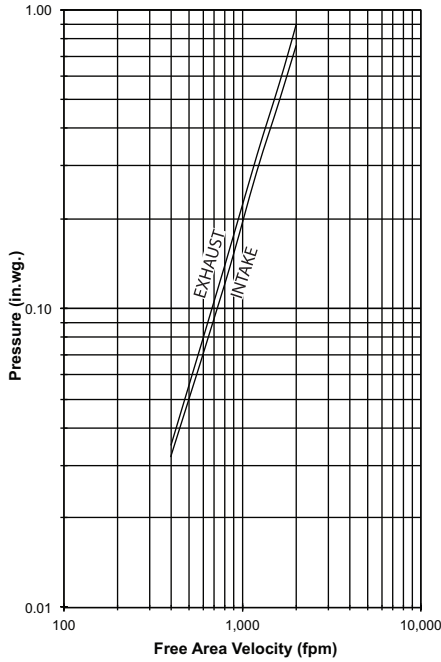
Height (Inches)	Width (Inches)																			
	8	12	18	24	30	36	42	48	54	60	66	72	78	84	90	96	102	108	114	120
8	0.04	0.10	0.2	0.3	0.4	0.4	0.5	0.6	0.7	0.8	0.8	0.9	1.0	1.1	1.2	1.2	1.3	1.4	1.5	1.6
12	0.1	0.2	0.4	0.6	0.7	0.9	1.0	1.2	1.4	1.6	1.7	1.9	2.1	2.2	2.4	2.5	2.7	2.9	3.1	3.2
18	0.1	0.4	0.7	1.0	1.3	1.5	1.8	2.2	2.5	2.8	3.0	3.3	3.6	4.0	4.3	4.5	4.8	5.1	5.4	5.8
24	0.2	0.5	1.0	1.4	1.9	2.2	2.6	3.1	3.6	4.0	4.3	4.8	5.2	5.7	6.1	6.5	6.9	7.4	7.8	8.3
30	0.3	0.7	1.3	1.8	2.4	2.9	3.5	4.0	4.6	5.2	5.6	6.2	6.8	7.4	8.0	8.4	9.0	9.6	10.2	10.8
36	0.3	0.8	1.5	2.3	3.0	3.5	4.3	5.0	5.7	6.4	7.0	7.7	8.4	9.1	9.9	10.4	11.1	11.9	12.6	13.3
42	0.4	1.0	1.8	2.7	3.6	4.2	5.1	5.9	6.8	7.7	8.3	9.1	10.0	10.9	11.7	12.4	13.2	14.1	15.0	15.8
48	0.5	1.1	2.1	3.1	4.1	4.9	5.9	6.9	7.9	8.9	9.6	10.6	11.6	12.6	13.6	14.3	15.3	16.3	17.3	18.3
54	0.5	1.3	2.4	3.6	4.7	5.5	6.7	7.8	8.9	10.1	10.9	12.1	13.2	14.3	15.5	16.3	17.4	18.6	19.7	20.8
60	0.6	1.4	2.7	4.0	5.3	6.2	7.5	8.7	10.0	11.3	12.2	13.5	14.8	16.1	17.3	18.3	19.5	20.8	22.1	23.4
66	0.7	1.6	3.0	4.4	5.8	6.9	8.3	9.7	11.1	12.5	13.5	15.0	16.4	17.8	19.2	20.2	21.6	23.1	24.5	25.9
72	0.7	1.7	3.3	4.8	6.4	7.5	9.1	10.6	12.2	13.7	14.9	16.4	18.0	19.5	21.1	22.2	23.7	25.3	26.8	28.4
78	0.8	1.9	3.6	5.3	7.0	8.2	9.9	11.6	13.3	14.9	16.2	17.9	19.6	21.2	22.9	24.2	25.8	27.5	29.2	30.9
84	0.8	2.1	3.9	5.7	7.5	8.9	10.7	12.5	14.3	16.2	17.5	19.3	21.1	23.0	24.8	26.1	27.9	29.8	31.6	33.4
90	0.9	2.2	4.2	6.1	8.1	9.5	11.5	13.5	15.4	17.4	18.8	20.8	22.7	24.7	26.7	28.1	30.0	32.0	34.0	35.9
96	1.0	2.4	4.5	6.6	8.7	10.2	12.3	14.4	16.5	18.6	20.1	22.2	24.3	26.4	28.5	30.1	32.2	34.3	36.4	38.5
102	1.0	2.5	4.8	7.0	9.2	10.9	13.1	15.3	17.6	19.8	21.4	23.7	25.9	28.2	30.4	32.0	34.3	36.5	38.7	41.0
108	1.1	2.7	5.1	7.4	9.8	11.5	13.9	16.3	18.7	21.0	22.8	25.1	27.5	29.9	32.3	34.0	36.4	38.7	41.1	43.5
114	1.2	2.8	5.3	7.9	10.4	12.2	14.7	17.2	19.7	22.2	24.1	26.6	29.1	31.6	34.1	35.9	38.5	41.0	43.5	46.0
120	1.2	3.0	5.6	8.3	10.9	12.9	15.5	18.2	20.8	23.5	25.4	28.0	30.7	33.3	36.0	37.9	40.6	43.2	45.9	48.5



Certified Ratings:
All-Lite certifies that the model ECV-445 shown herein is licensed to bear the AMCA seal. The ratings shown are based on tests and procedures performed in accordance with AMCA Publication 511 and comply with the requirements of the AMCA Certified Ratings Program. The AMCA Certified Ratings seal applies to water penetration, air performance and wind driven rain ratings.

Pressure Loss

(Data corrected to standard air density)



Louver Test Size = 48" x 48" (1219 x 1219)

Pressure loss tested in accordance with Figure 5.5 of AMCA Standard 500-L.

Selection Criteria

Follow the steps listed below to calculate the louver size needed to satisfy the required air volume while minimizing the adverse effects of water penetration and pressure loss.

1. Determine the Free Area Velocity (FAV) at the maximum allowable pressure loss using the *Pressure Loss* chart to the left. While job conditions vary, typically, the maximum allowable pressure loss should not exceed 0.15 in.wg., and the FAV for 0.15 in.wg. pressure loss is listed on the front page of this sheet.

2. **Intake Applications** If the FAV at the Beginning Point of Water Penetration (shown below) is less than the FAV from step 1, then use the FAV at the Beginning Point of Water Penetration in step 3, otherwise use the FAV from step 1.

Exhaust Applications Use the FAV from step 1 in step 3.

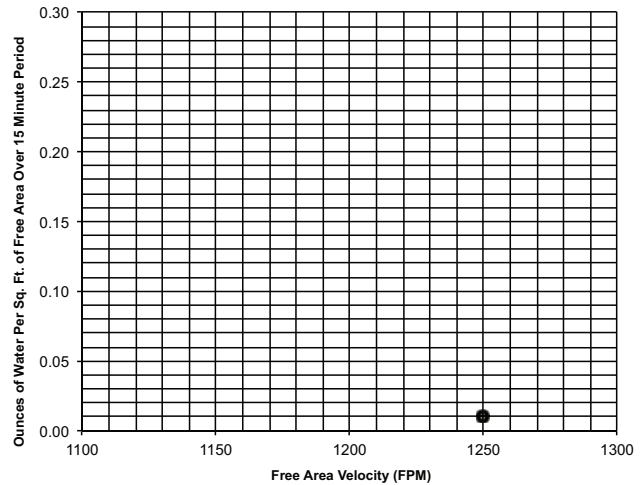
3. Calculate the total louver square footage required using the following equation.

$$\frac{\text{Required Air Volume}}{\text{cfm}} + \frac{\text{FAV}}{\text{fpm}} = \frac{\text{Required Louver (Free-Area) Size}}{\text{in ft}^2}$$

4. Using the *Free Area* chart above, select a louver width and height that yields a free area ft² greater than or equal to the required louver size calculated in step 3.

Water Penetration

Beginning Point of Water Penetration = 1250 fpm



Wind Driven Rain Performance - AMCA 500-L Wind Driven Rain Test

Test size is 39³/₈" x 39³/₈" core area₁.

Model	Wind Velocity	Rainfall	Airflow	Core Velocity	Effectiveness Ratio	Wind-Driven Rain Class ₂	Discharge Class ₃
ECV-445	29 mph	3 in/hr	7343 cfm	682 fpm	99.5%	A	3
	50 mph	8 in/hr	4350 cfm	404 fpm	99.4%	A	3

NOTES

- Core area is the open area of the louver face (face area less louver frames).
- Wind Driven Rain Penetration Classes (right).
- Discharge loss coefficient is calculated by dividing the louver's actual airflow rate by the theoretical airflow rate for an unobstructed opening. The higher the coefficient, the lower the resistance to airflow.

Class	Wind-Driven Rain		Discharge Loss ₃	
	Class	Effectiveness	Class	Coefficient
A	1	1 to 0.99	1	0.4 to 1.000
B	2	0.989 to 0.95	2	0.3 to 0.399
C	3	0.949 to 0.80	3	0.2 to 0.299
D	4	Below 0.8	4	0.0 to 0.199

Information is subject to change without notice or obligation.

NOTE: Dimensions in parentheses () are millimeters.