

Application

The ECV-645 offers exceptional protection against wind-driven rain under the most severe conditions and is ideally suited for high wind areas or applications that are sensitive to wind-driven rain penetration. The ECV-645 incorporates vertical blades and is available in a wide array of anodized and painted finishes including custom color matching.

Standard Construction

Material: Mill finish 6063-T5 extruded aluminum.

Frame: 6" deep x 0.081" thick (152 x 2) channel.

Blades: 45° x 0.081" (2) thick vertical style.

Screen: 1/2" x 0.063" (12.7 x 1.6) expanded and flattened aluminum.

Mullion: Visible.

Minimum Size: 12" x 12" (305 x 305)

Maximum Size: Single section: 60" x 120" (1524 x 3048)
120" x 60" (3048 x 1524)
Multiple section: Unlimited

Options

- Factory finish:
 - High Performance Fluoropolymer - 100% resin Newlar®/ 70% resin Kynar®
 - Baked Enamel
 - Clear or Color Anodized, Class 1
 - Prime Coat
- 1 1/2" (38) flange frame.
- Welded construction.
- Alternate bird or insect screens.
- Insulated or non-insulated blank-off panels.
- Filter racks.
- Hinged frame.
- Head and/or sill flashing.
- Burglar bars:
 - Shipped loose
 - Shipped mounted
- Frame closure.
- Florida Building Code Construction. (Refer to FBC Installation Instructions for additional requirements)

Ratings

Free Area: [48" x 48" (1219 x 1219) unit]: 7.4ft² (0.68 m²)
46.0%

Performance @ Beginning Point of Water Penetration

Free Area Velocity: 1,250 fpm (6.35 m/s)
Air Volume Delivered: 9,250 cfm (4.4 m³/s)
Pressure Loss: 0.15 in.wg. (37 Pa)

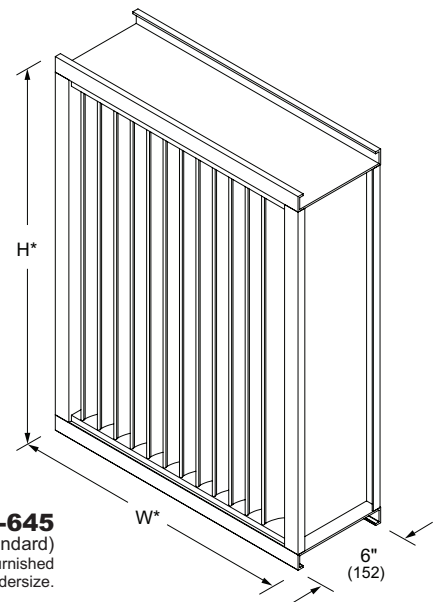
Velocity @ 0.15 in.wg. Pressure Loss: 1270 fpm (6.4 m/s)

Tested in accordance with AMCA 540 (impact resistance) and AMCA 550 (high velocity wind-driven rain).

*Florida Building Code Approval (2014-FBC): No. FL16955.2

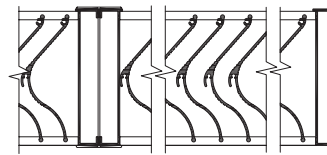
Design Load: up to 200 psf - refer to FBC Installation Instructions for size and design load rating.

Std. Design Load: 30 psf

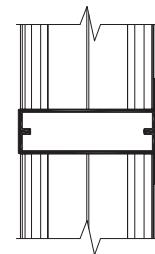


Model **ECV-645**
(standard)

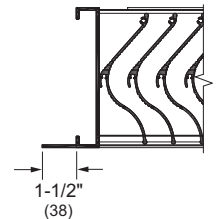
*Louvers dimensions furnished approximately 1/2" (13) undersize.



Vertical Mullion
(standard)



Horizontal Mullion
(standard)



Flange Frame
(optional)



Certified Ratings:

All-Lite certifies that the model ECV-645 shown herein is licensed to bear the AMCA seal. The ratings shown are based on test and procedures performed in accordance with AMCA Publication 511 and comply with the requirements of the AMCA Certified Ratings Program. The AMCA Certified Ratings seal applies to air performance, water penetration and wind-driven rain ratings.



HIGH VELOCITY RAIN RESISTANT AND IMPACT RESISTANT LOUVER
Basic Protection

See www.amca.org for all certified or listed products

This label does not signify AMCA airflow performance certification.

Certified Ratings:

All-Lite certifies that the model ECV-645 shown herein is approved to bear the AMCA Listing Label. The ratings shown are based on tests and procedures performed in accordance with AMCA publications and comply with the requirements of the AMCA Listing Label Program. The AMCA Listing Label applies to High Velocity Rain and Impact resistance.

*Optional - Requires Florida Building Code Construction

Information is subject to change without notice or obligation.

NOTE: Dimensions in parentheses () are millimeters.

Performance Data

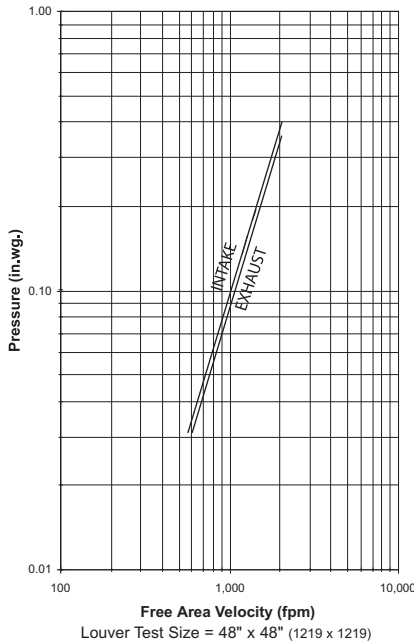
Free Area (ft²)

		Width (Inches)																		
		12	18	24	30	36	42	48	54	60	66	72	78	84	90	96	102	108	114	120
Height (Inches)	12	0.2	0.4	0.5	0.7	0.9	1.1	1.3	1.5	1.6	1.8	2.0	2.2	2.4	2.6	2.7	2.9	3.1	3.3	3.5
	18	0.3	0.7	1.0	1.3	1.7	2.0	2.3	2.7	3.0	3.3	3.7	4.0	4.3	4.7	5.0	5.3	5.7	6.0	6.3
	24	0.5	0.9	1.4	1.9	2.4	2.9	3.4	3.9	4.3	4.8	5.3	5.8	6.3	6.8	7.2	7.7	8.2	8.7	9.2
	30	0.6	1.2	1.9	2.5	3.2	3.8	4.4	5.1	5.7	6.3	7.0	7.6	8.2	8.9	9.5	10.1	10.8	11.4	12.0
	36	0.8	1.5	2.3	3.1	3.9	4.7	5.5	6.3	7.0	7.8	8.6	9.4	10.2	11.0	11.8	12.5	13.3	14.1	14.9
	42	0.9	1.8	2.8	3.7	4.6	5.6	6.5	7.5	8.4	9.3	10.3	11.2	12.1	13.1	14.0	15.0	15.9	16.8	17.8
	48	1.0	2.1	3.1	4.2	5.2	6.3	7.4	8.4	9.5	10.5	11.6	12.6	13.7	14.8	15.8	16.9	17.9	19.0	20.1
	54	1.2	2.4	3.7	4.9	6.1	7.4	8.6	9.9	11.1	12.3	13.6	14.8	16.1	17.3	18.5	19.8	21.0	22.2	23.5
	60	1.3	2.7	4.0	5.4	6.7	8.1	9.5	10.8	12.2	13.5	14.9	16.3	17.6	19.0	20.3	21.7	23.1	24.4	25.8
	66	1.4	3.0	4.5	6.0	7.5	9.0	10.5	12.0	13.5	15.0	16.6	18.1	19.6	21.1	22.6	24.1	25.6	27.1	28.6
	72	1.6	3.3	4.9	6.6	8.2	9.9	11.6	13.2	14.9	16.5	18.2	19.9	21.5	23.2	24.8	26.5	28.2	29.8	31.5
	78	1.7	3.5	5.4	7.2	9.0	10.8	12.6	14.4	16.2	18.0	19.9	21.7	23.5	25.3	27.1	28.9	30.7	32.5	34.4
	84	1.9	3.8	5.7	7.6	9.6	11.5	13.4	15.4	17.3	19.2	21.2	23.1	25.0	27.0	28.9	30.8	32.8	34.7	36.6
90	2.0	4.1	6.2	8.2	10.3	12.4	14.5	16.6	18.7	20.7	22.8	24.9	27.0	29.1	31.2	33.2	35.3	37.4	39.5	
96	2.1	4.4	6.6	8.8	11.1	13.3	15.5	17.8	20.0	22.2	24.5	26.7	29.0	31.2	33.4	35.7	37.9	40.1	42.4	
102	2.3	4.6	7.0	9.3	11.7	14.0	16.4	18.7	21.1	23.5	25.8	28.2	30.5	32.9	35.2	37.6	39.9	42.3	44.6	
108	2.4	4.9	7.4	9.9	12.4	14.9	17.4	19.9	22.4	25.0	27.5	30.0	32.5	35.0	37.5	40.0	42.5	45.0	47.5	
114	2.5	5.2	7.9	10.5	13.2	15.8	18.5	21.1	23.8	26.5	29.1	31.8	34.4	37.1	39.7	42.4	45.1	47.7	50.4	
120	2.7	5.5	8.3	11.1	13.9	16.7	19.5	22.3	25.2	28.0	30.8	33.6	36.4	39.2	42.0	44.8	47.6	50.4	53.2	



Certified Ratings:
All-Lite certifies that the model ECV-645 shown herein is licensed to bear the AMCA seal. The ratings shown are based on test and procedures performed in accordance with AMCA Publication 511 and comply with the requirements of the AMCA Certified Ratings Program. The AMCA Certified Ratings seal applies to air performance, water penetration and wind-driven rain ratings.

Pressure Loss (Standard Air Density @ 0.075 lbs./ft.)



Pressure loss tested in accordance with Figure 5.5 of AMCA Standard 500-L.

Water Penetration

AMCA defines the beginning point of water penetration as the free area velocity at the intersection of a simple linear regression of test data and the line of 0.01 ounces of water per square foot of free area and is measured through a 48" x 48" louver during a 15 minute period. The AMCA water penetration test provides a method for comparing louver models and designs as to their efficiency in resisting the penetration of rainfall under specific lab conditions. All-Lite recommends that intake louvers are selected with a reasonable margin of safety below the beginning point of water penetration in order to avoid unwanted penetration during severe storm conditions.

Wind Driven Rain Performance - AMCA 500-L Wind Driven Rain Test

Test Louver Core Area, is 39 3/8" x 39 3/8".

Wind Velocity	Rainfall	Airflow	Core Velocity	Effectiveness Ratio	Wind Class ₂	Discharge Class ₃
50 mph	8 in/hr	10,390 cfm	965 fpm	100%	A	1

Wind Driven Rain ₂ Class	Effectiveness	Discharge Loss ₃ Class	Coefficient
A	1.000 to 0.99	1	0.4 to 1.000
B	0.989 to 0.95	2	0.3 to 0.399
C	0.949 to 0.80	3	0.2 to 0.299
D	0.799 to 0.00	4	0.0 to 0.199

NOTES 1. Core area is the open area of the louver face (face area less louver frames). 2. Wind Driven Rain Penetration Classes. 3. Discharge Loss Coefficient is calculated by dividing the louvers' actual airflow rate by the theoretical airflow rate for an unobstructed opening. The higher the coefficient, the lower the resistance to air flow.

Information is subject to change without notice or obligation.

NOTE: Dimensions in parentheses () are millimeters.