

Application

The EFJ-745 offers exceptional protection against wind-driven rain under the most severe conditions and is ideally suited for high wind areas or applications that are sensitive to wind-driven rain penetration. The EFJ-745 incorporates horizontal blades and is available in a wide array of anodized and painted finishes including custom color matching.

Standard Construction

Material: Mill finish 6063-T5 extruded aluminum.

Frame: 7" deep × 0.081" thick (178 × 2) channel.

Blades: 45° × 0.081" (2) thick horizontal style.

Screen: 1/2" × 0.063" (12.7 × 1.6) expanded and flattened aluminum.

Mullion: Visible.

Minimum Size: 12" × 12" (305 × 305)

Maximum Size: Single section: 48" × 144" (1219 × 3658)
 Multiple section: Unlimited

Options

- Factory finish:
 - High Performance Fluoropolymer - 100% resin Newlar®/ 70% resin Kynar®
 - Baked Enamel
 - Clear or Color Anodized, Class 1
 - Prime Coat
- Hidden vertical mullion for continuous blade appearance.
- 1 1/2" (38) flange frame.
- Welded construction.
- Alternate bird or insect screens.
- Insulated or non-insulated blank-off panels.
- Filter racks.
- Hinged frame.
- Head and/or sill flashing.

Ratings

Free Area: [48" × 48" (1222 × 1222) unit]: 7.0 ft² (0.65 m²)
 43.8%

Performance @ Beginning Point of Water Penetration

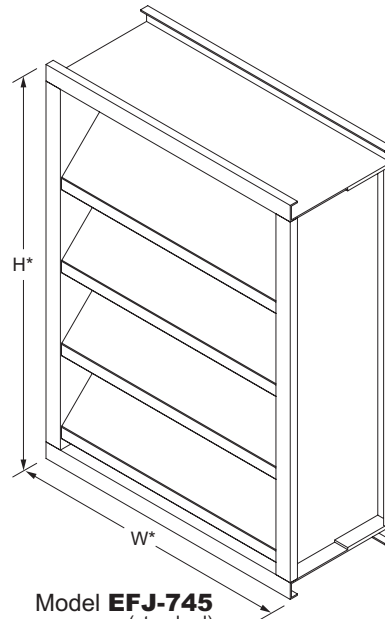
Free Area Velocity: 1,250 fpm (4.35 m/s)

Air Volume Delivered: 8,755 cfm (4.13 m³/s)

Pressure Loss: 0.47 in.wg. (117 Pa)

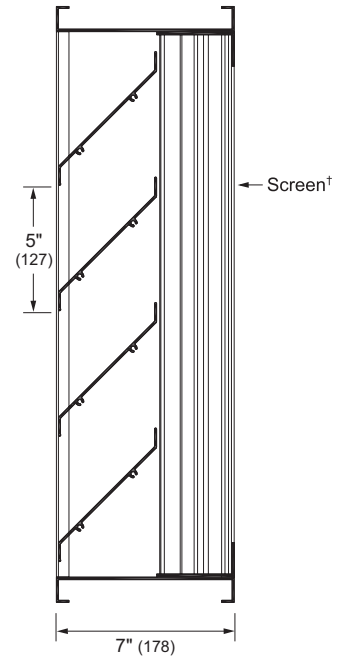
Velocity @ 0.15 in.wg. Pressure Loss: 698 fpm (3.55 m/s)

Design Load: 25 psf



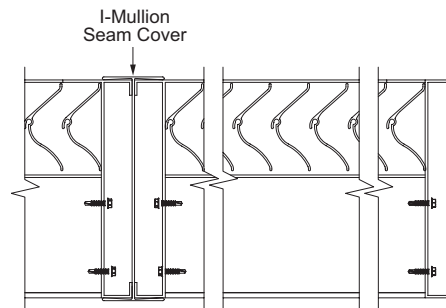
Model **EFJ-745**
 (standard)

*Louvers dimensions furnished approximately 1/2" (13) undersize.

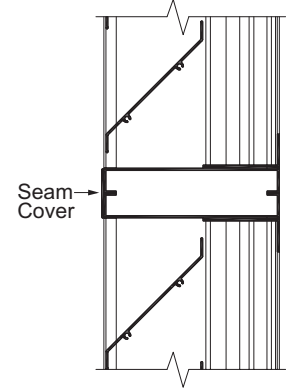


Vertical Section

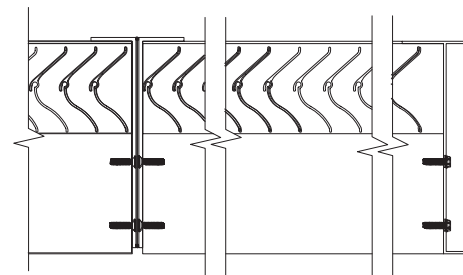
*Screen adds approximately 3/16" (5) to louver depth.



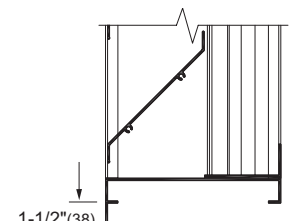
Visible Vertical Mullion
 (standard)



Horizontal Mullion
 (standard)



Hidden Vertical Mullion
 (optional)



Flange Frame
 (optional)



Certified Ratings:

All-Lite certifies that the model EFJ-745 shown herein is licensed to bear the AMCA seal. The ratings shown are based on test and procedures performed in accordance with AMCA Publication 511 and comply with the requirements of the AMCA Certified Ratings Program. The AMCA Certified Ratings seal applies to air performance and wind driven rain ratings.

Performance Data

Free Area (ft²)

| Height (Inches) | Width (Inches) | | | | | | |
|-----------------|----------------|-----|------|------|------|------|------|
| | 12 | 18 | 24 | 30 | 36 | 42 | 48 |
| 12 | 0.2 | 0.4 | 0.5 | 0.7 | 0.9 | 1.0 | 1.2 |
| 18 | 0.4 | 0.7 | 1.0 | 1.3 | 1.6 | 1.9 | 2.1 |
| 24 | 0.5 | 1.0 | 1.4 | 1.8 | 2.3 | 2.7 | 3.1 |
| 30 | 0.7 | 1.3 | 1.8 | 2.4 | 3.0 | 3.5 | 4.1 |
| 36 | 0.9 | 1.6 | 2.3 | 3.0 | 3.7 | 4.4 | 5.1 |
| 42 | 1.0 | 1.9 | 2.7 | 3.5 | 4.4 | 5.2 | 6.0 |
| 48 | 1.2 | 2.2 | 3.1 | 4.1 | 5.1 | 6.0 | 7.0 |
| 54 | 1.4 | 2.5 | 3.6 | 4.7 | 5.8 | 6.9 | 8.0 |
| 60 | 1.6 | 2.8 | 4.0 | 5.3 | 6.5 | 7.7 | 9.0 |
| 66 | 1.7 | 3.1 | 4.5 | 5.8 | 7.2 | 8.6 | 9.9 |
| 72 | 1.9 | 3.4 | 4.9 | 6.4 | 7.9 | 9.4 | 10.9 |
| 78 | 2.1 | 3.7 | 5.3 | 7.0 | 8.6 | 10.2 | 11.9 |
| 84 | 2.2 | 4.0 | 5.8 | 7.5 | 9.3 | 11.1 | 12.8 |
| 90 | 2.4 | 4.3 | 6.2 | 8.1 | 10.0 | 11.9 | 13.8 |
| 96 | 2.6 | 4.6 | 6.6 | 8.7 | 10.7 | 12.8 | 14.8 |
| 102 | 2.7 | 4.9 | 7.1 | 9.2 | 11.4 | 13.6 | 15.8 |
| 108 | 2.9 | 5.2 | 7.5 | 9.8 | 12.1 | 14.4 | 16.7 |
| 114 | 3.1 | 5.5 | 7.9 | 10.4 | 12.8 | 15.3 | 17.7 |
| 120 | 3.2 | 5.8 | 8.4 | 11.0 | 13.5 | 16.1 | 18.7 |
| 126 | 3.4 | 6.1 | 8.8 | 11.5 | 14.2 | 16.9 | 19.7 |
| 132 | 3.6 | 6.4 | 9.3 | 12.1 | 14.9 | 17.8 | 20.6 |
| 138 | 3.7 | 6.7 | 9.7 | 12.7 | 15.6 | 18.6 | 21.6 |
| 144 | 3.9 | 7.0 | 10.1 | 13.2 | 16.3 | 19.5 | 22.6 |

Selection Criteria

Follow the steps listed below to calculate the louver size needed to satisfy the required air volume while minimizing the adverse effects of water penetration and pressure loss.

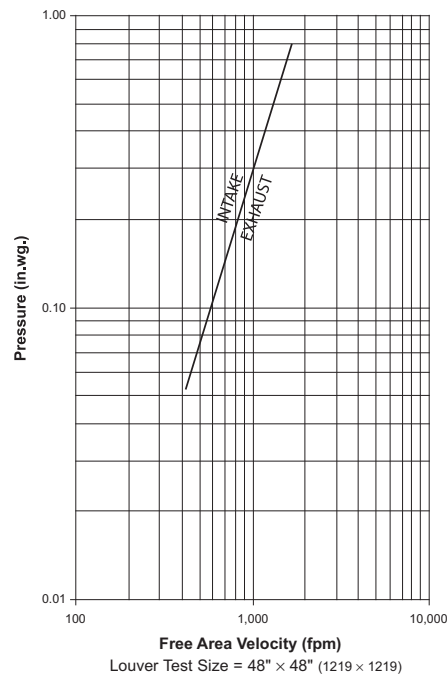
1. Determine the Free Area Velocity (FAV) at the maximum allowable pressure loss using the *Pressure Loss* chart to the left. While job conditions vary, typically, the maximum allowable pressure loss should not exceed 0.15 in.wg., and the FAV for 0.15 in.wg. pressure loss is listed on the front page of this sheet.
2. **Intake Applications** If the FAV at the Beginning Point of Water Penetration (shown below) is less than the FAV from step 1, then use the FAV at the Beginning Point of Water Penetration in step 3, otherwise use the FAV from step 1.
- Exhaust Applications** Use the FAV from step 1 in step 3.
3. Calculate the total louver square footage required using the following equation.

$$\frac{\text{Required Air Volume (cfm)}}{\text{FAV (fpm)}} = \text{Required Louver (Free-Area) Size (ft}^2\text{)}$$

4. Using the *Free Area* chart above, select a louver width and height that yields a free area ft² greater than or equal to the required louver size calculated in step 3.

Pressure Loss

(Data corrected to standard air density)



Pressure loss tested in accordance with Figure 5.5 of AMCA Standard 500-L.



Certified Ratings:
All-Lite certifies that the model EFJ-745 shown herein is licensed to bear the AMCA seal. The ratings shown are based on test and procedures performed in accordance with AMCA Publication 511 and comply with the requirements of the AMCA Certified Ratings Program. The AMCA Certified Ratings seal applies to air performance and wind driven rain ratings.

Wind Driven Rain Performance - AMCA 500-L Wind Driven Rain Test

Test size is 39 7/8" x 39 7/8" core area₁.

| Model | Wind Velocity | Rainfall | Airflow | Core Velocity | Effectiveness Ratio | Wind Class ₂ | Discharge Class ₃ |
|---------|---------------|----------|----------|---------------|---------------------|-------------------------|------------------------------|
| EFJ-745 | 29 mph | 3 in/hr | 7211 cfm | 670 fpm | 99.3% | A | 3 |

NOTES

1. Core area is the open area of the louver face (face area less louver frames).
2. Wind Driven Rain Penetration Classes (right).
3. Discharge loss coefficient is calculated by dividing the louver's actual airflow rate by the theoretical airflow rate for an unobstructed opening. The higher the coefficient, the lower the resistance to airflow.

| Wind Driven Rain ₂ | | Discharge Loss ₃ | |
|-------------------------------|---------------|-----------------------------|---------------|
| Class | Effectiveness | Class | Coefficient |
| A | 0.999 to 0.99 | 1 | 1.4 to 1.000 |
| B | 0.989 to 0.95 | 2 | 0.3 to 0.3999 |
| C | 0.949 to 0.80 | 3 | 0.2 to 0.2999 |
| D | Below 0.8 | 4 | 0.0 to 0.1999 |

Information is subject to change without notice or obligation.

NOTE: Dimensions in parentheses () are millimeters.