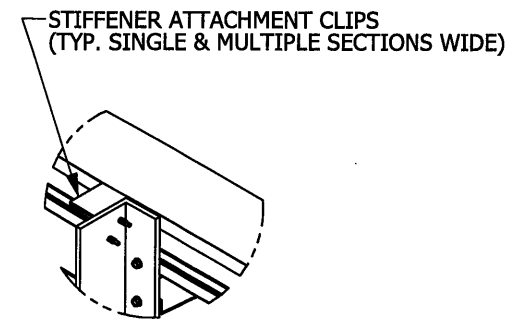
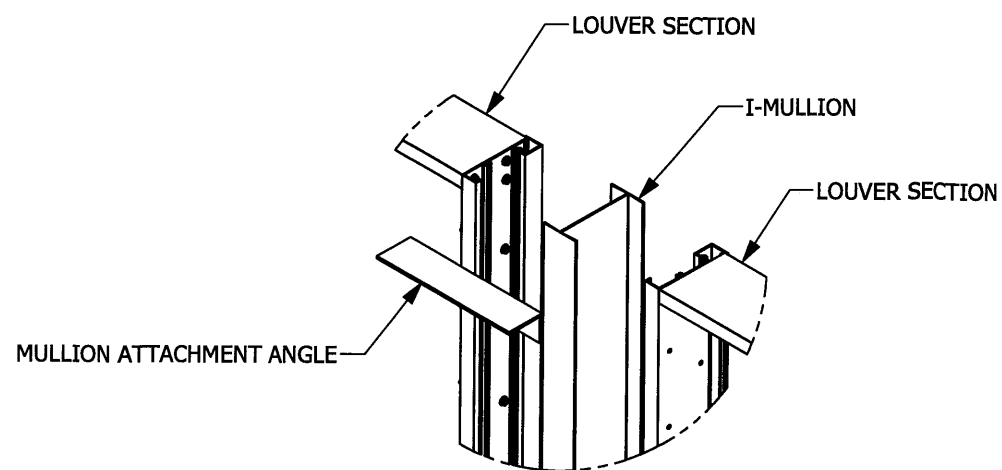
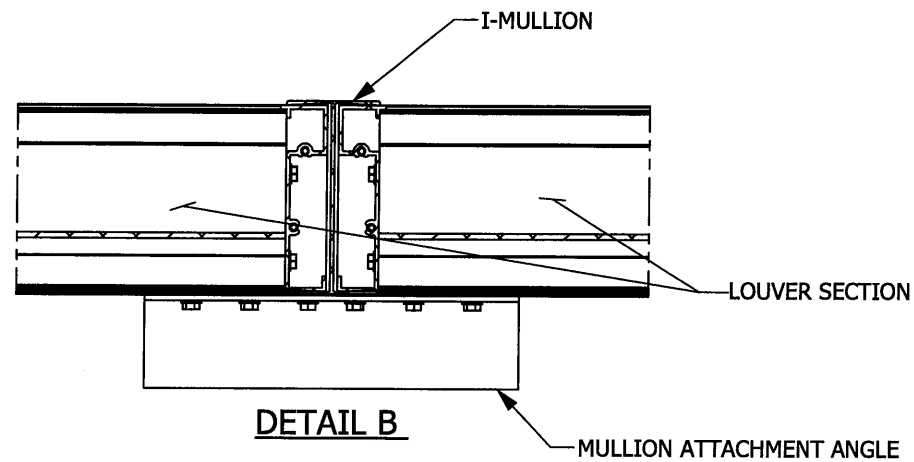


RICE

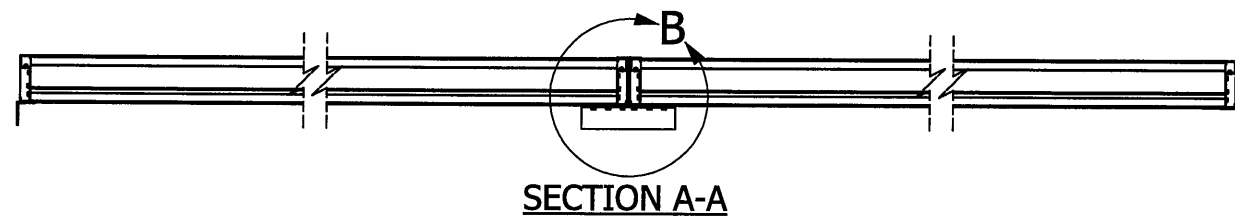
ENGINEERING

105 School Creek Trail
Luxemburg, WI 54217
Phone: 920.845.1042
Fax: 920.845.1048
www.rice-inc.com

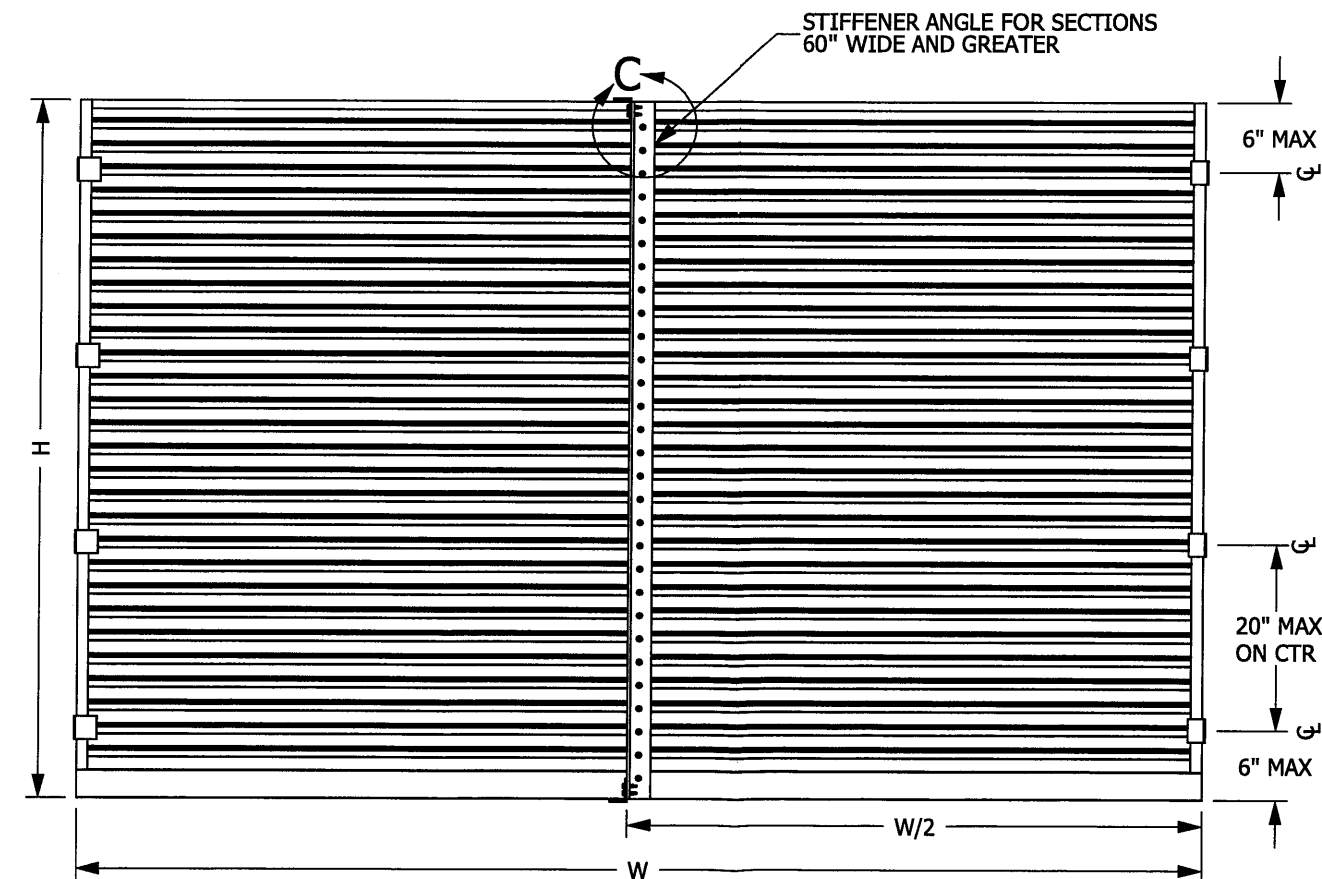
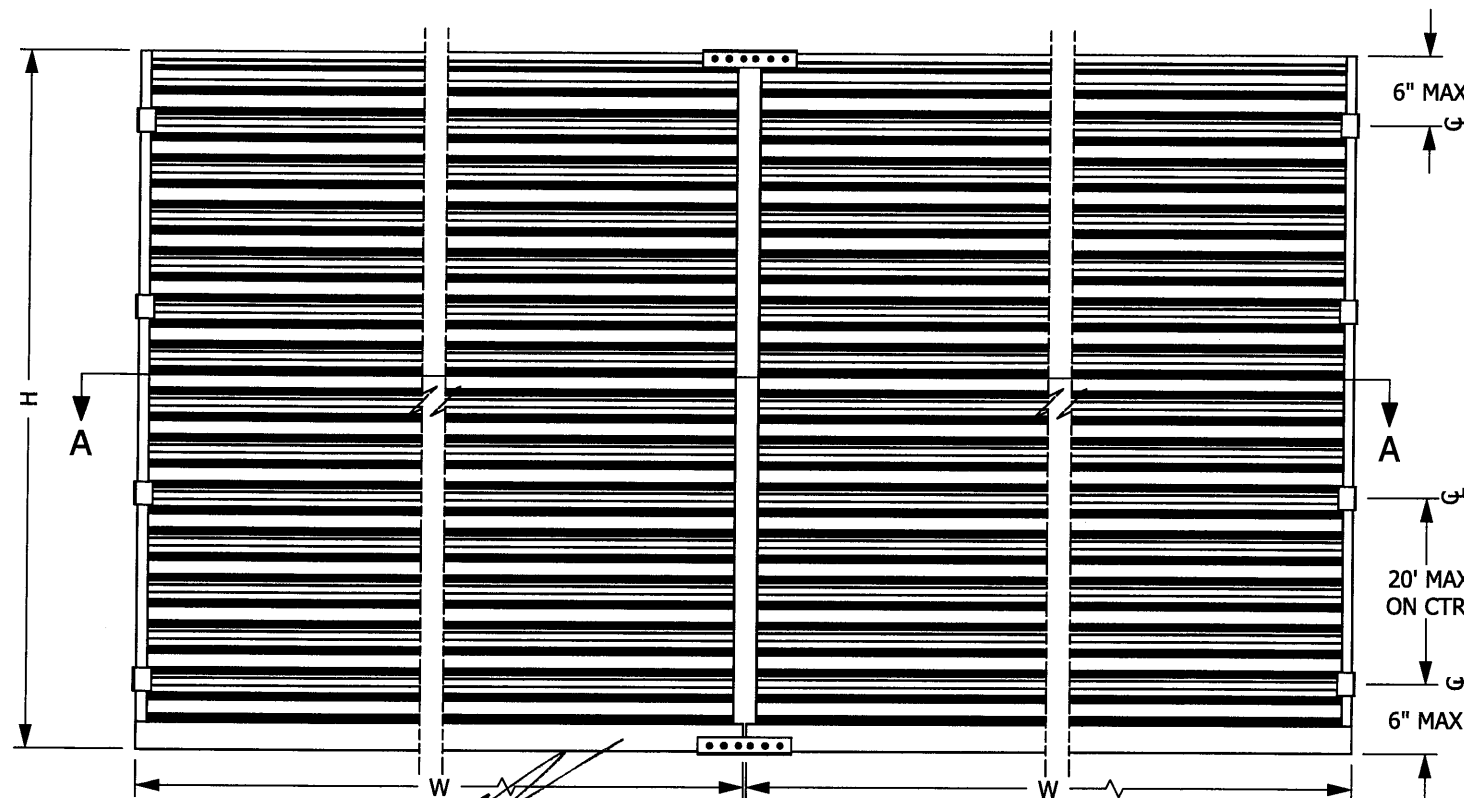
Florida Firm No: F-01000005061
Certificate of Authorization: #9090
L. David Rice
Registration No: 50923



DETAIL C
STIFFENER CLIP ANGLE

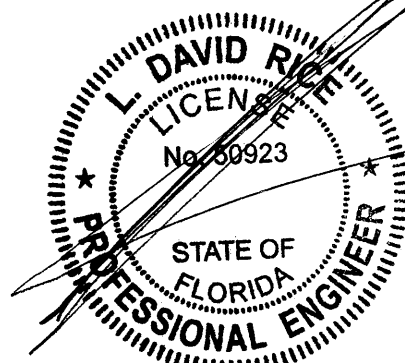


DETAIL B
(EXPLODED ISOMETRIC)



MULTIPLE SECTION WIDE
INTERIOR ELEVATION
CLIP PLACEMENT

SINGLE SECTION WIDE, INTERIOR ELEVATION
CLIP PLACEMENT



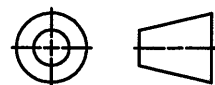
UNLESS OTHERWISE SPECIFIED
DIMENSION ARE IN INCHES.

TOLERANCE UNLESS NOTED:
X.X ±0.030
X.XX ±0.015
X.XXX ±0.010
ANGLE ±1°
FRACTION ±1/16

MAX HOLE BREAKOUT:
15% OF MATERIAL THICKNESS

5101 Blue Mound Road
Fort Worth, Texas 76106
Phone: 817-509-2300
Fax: 817-831-3110

THIRD ANGLE PROJECTION



ALL-LITE ARCHITECTURAL PRODUCTS

THIS DRAWING AND THE DESIGN REPRESENTED ARE THE CONFIDENTIAL AND PROPRIETARY PROPERTY OF PCI INDUSTRIES AND MAY NOT BE DISCLOSED, LOANED, COPIED, OR USED FOR ANY PURPOSE OTHER THAN DESIGN REVIEW AND APPROVAL WITHOUT THE EXPRESS WRITTEN CONSENT OF PCI INDUSTRIES.

DRAWING DESCR: ATTACHMENT ELEVATION & DETAILS

PROJECT: FLORIDA BUILDING CODE LOUVERS

LOCATION:

CUSTOMER:

PROJ. MGR:

DRAWN BY: TB

DATE: 11/24/2009

CHK'D BY:

ORDER NUMBER

P.O. NUMBER

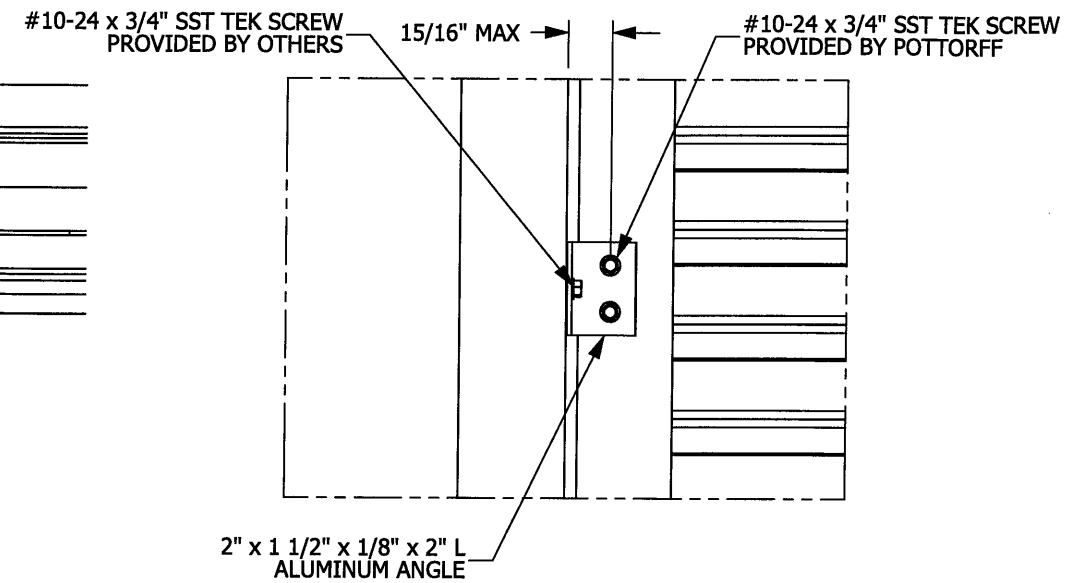
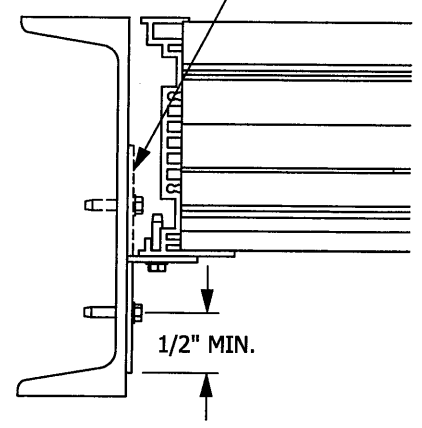
DRAWING NUMBER

SHEET: 1 of 6

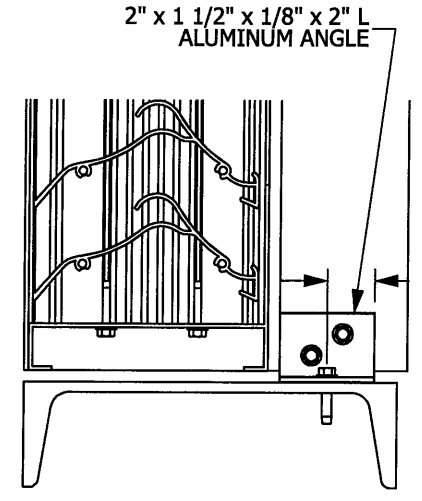
SCALE: NTS

ATTACHMENT

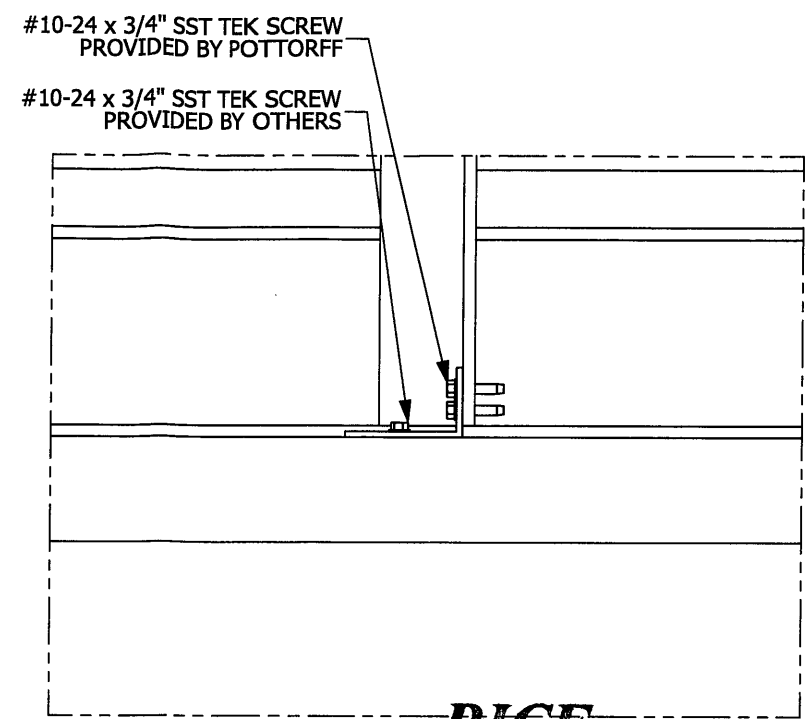
REVERSE ATTACHMENT OPTION



**JAMB ATTACHMENT DETAILS
STEEL CONDITION**



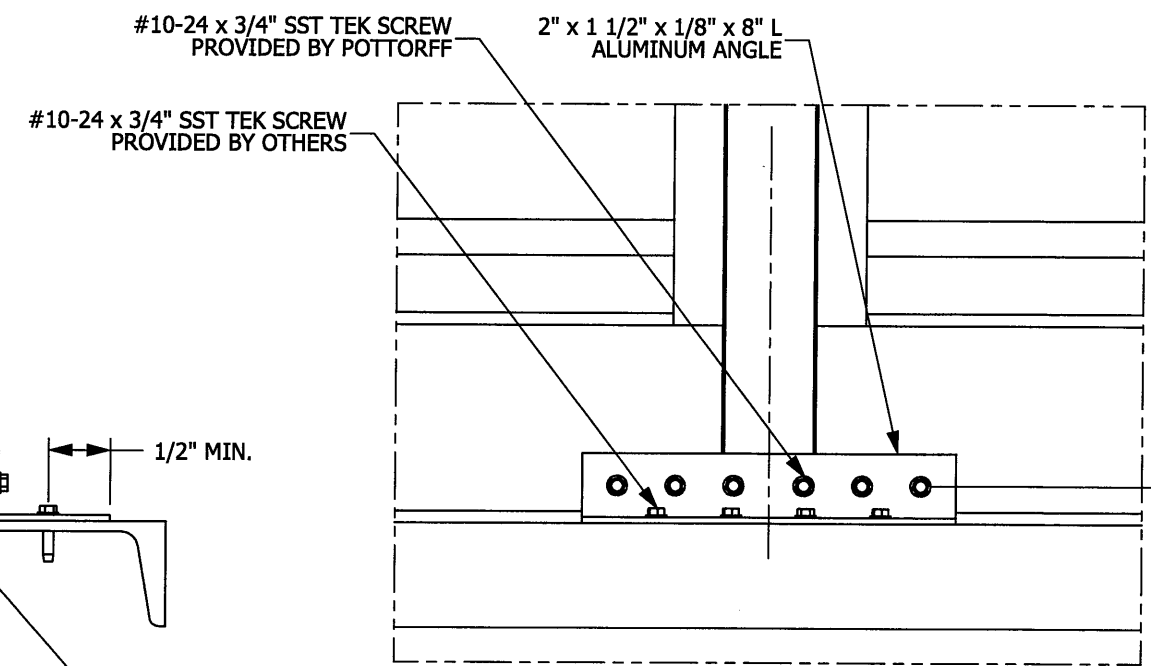
**STIFFENER ATTACHMENT DETAILS
STEEL CONDITION**



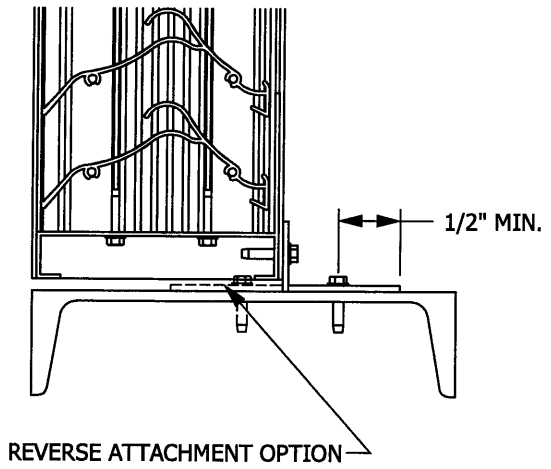
**RICE
ENGINEERING**

105 School Creek Trail
Luxemburg, WI 54217
Phone: 920.845.1042
Fax: 920.845.1048
www.rice-inc.com

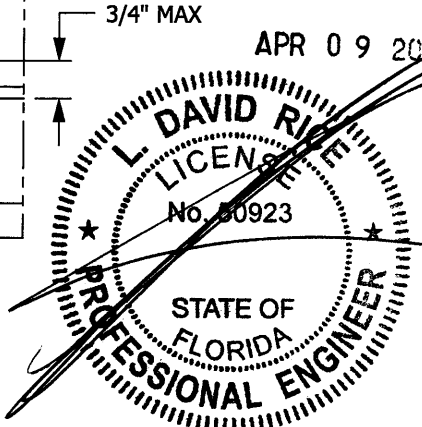
Florida Firm No: F-01000005061
Certificate of Authorization: #9090
L. David Rice
Registration No: 50923



**MULLION ATTACHMENT DETAILS
STEEL CONDITION**



- INSTALLATION NOTES:
- 1) DRAWING INCLUDES INSTALLATION DETAILS TO ATTAIN MAXIMUM DESIGN PRESSURES FOR LOUVER PER CHARTS ON DRAWING 6
 - 2) IT IS ASSUMED THAT THE LOUVER SYSTEMS DO NOT SUPPORT ANY LOADS TRANSFERRED FROM THE BUILDING.
 - 3) IT IS ASSUMED THAT THE BUILDING CONDITIONS ARE ADEQUATELY DESIGNED TO SUPPORT LOADS IMPARTED BY THE LOUVER SYSTEM.
 - 4) INSTALLER TO PROVIDE GASKET MATERIAL BETWEEN DISSIMILAR MATERIALS IN ORDER TO PROTECT FROM CORROSION.
 - 5) CRITICAL EQUIPMENT TO BE PROTECTED FROM MOISTURE INGRESS.
 - 6) OTHER BUILDING CONDITIONS THAN THOSE DENOTED CAN BE UTILIZED IF ANALYZED AND APPROVED BY A PROFESSIONAL ENGINEER.
 - 7) MULTI-SECTION WIDE AND HIGH LOUVER SYSTEMS ARE ALLOWABLE PROVIDED THE INDIVIDUAL SECTIONS ARE SUPPORTED PER THE DETAIL ON THIS DRAWING AND A SUITABLE STRUCTURE IS ANALYZED AND APPROVED BY A PROFESSIONAL ENGINEER.
 - 8) ALL STEEL SUBSTRATE SHALL BE 18 GA STUD EQUIVALENT OR STRONGER.



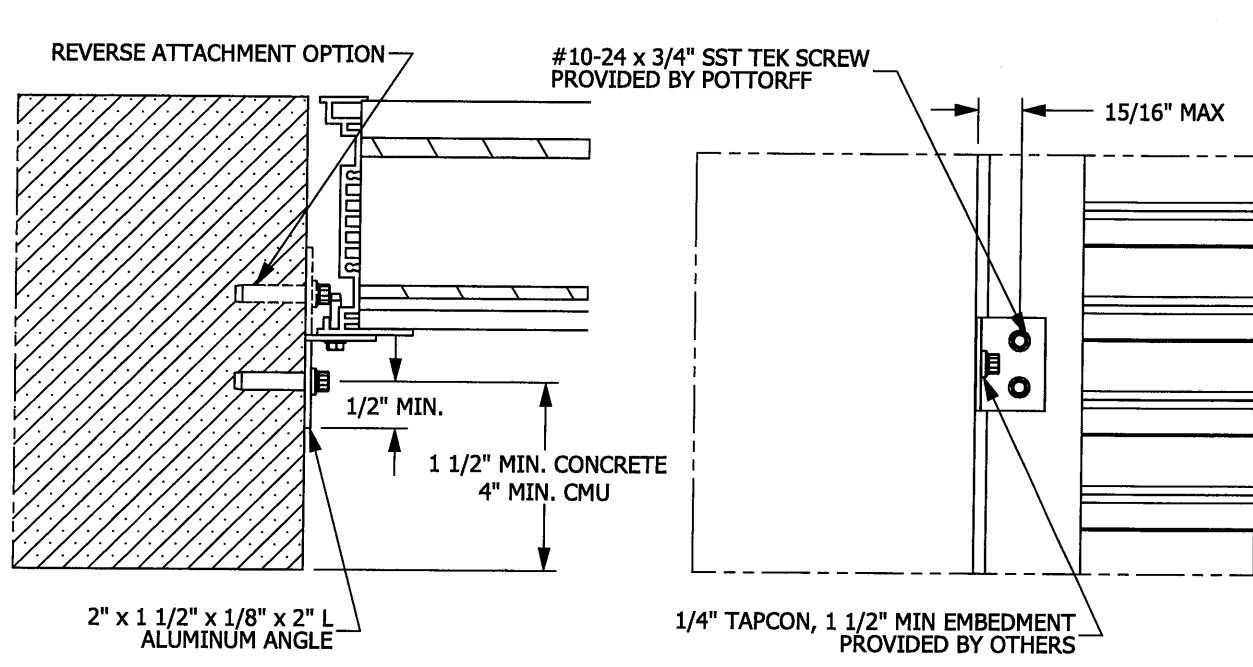
Tom\LOUVERS\Florida Building Code Louvers

UNLESS OTHERWISE SPECIFIED DIMENSION ARE IN INCHES.	5101 Blue Mound Road Fort Worth, Texas 76106 Phone: 817-509-2300 Fax: 817-831-3110
TOLERANCE UNLESS NOTED: X.X ±0.030 X.XX ±0.015 X.XXX ±0.010 ANGLE ±1° FRACTION ±1/16	THIRD ANGLE PROJECTION
MAX HOLE BREAKOUT: 15% OF MATERIAL THICKNESS	

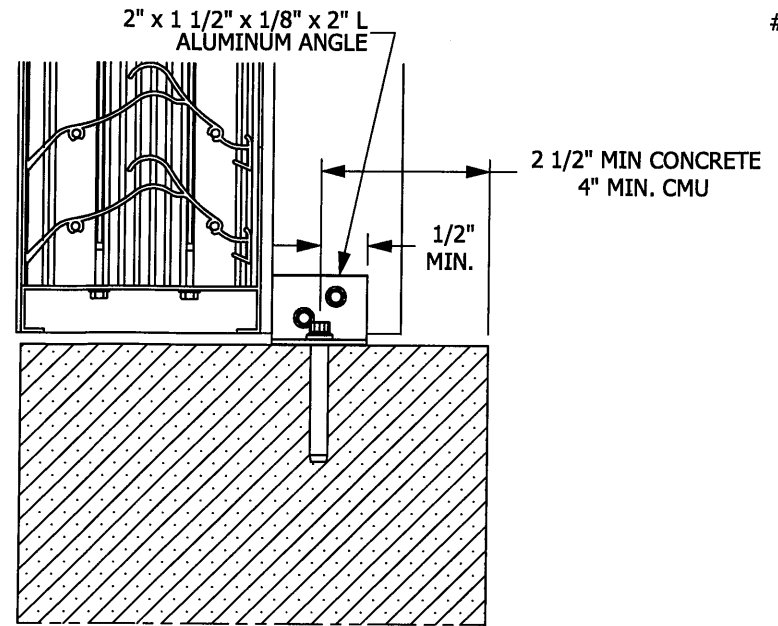
**ALL-LITE
ARCHITECTURAL PRODUCTS**

THIS DRAWING AND THE DESIGN REPRESENTED ARE THE CONFIDENTIAL AND PROPRIETARY PROPERTY OF PCI INDUSTRIES AND MAY NOT BE DISCLOSED, LOANED, COPIED, OR USED FOR ANY PURPOSE OTHER THAN DESIGN REVIEW AND APPROVAL WITHOUT THE EXPRESS WRITTEN CONSENT OF PCI INDUSTRIES.

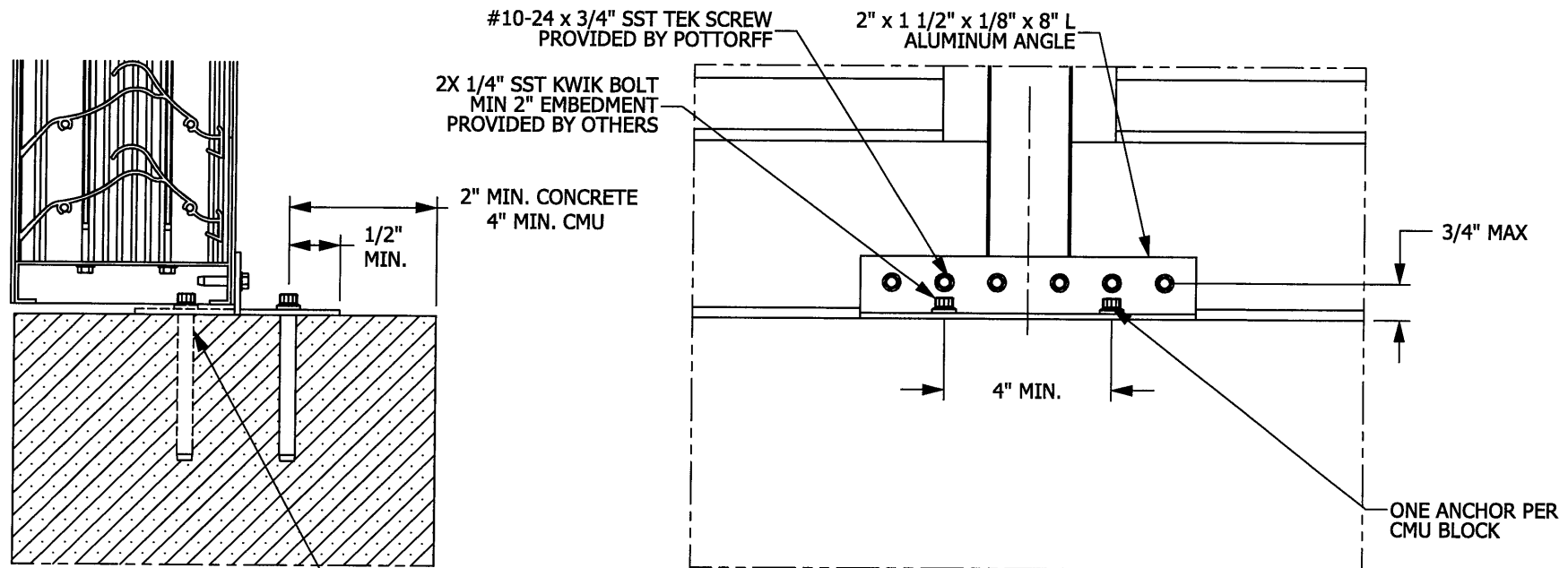
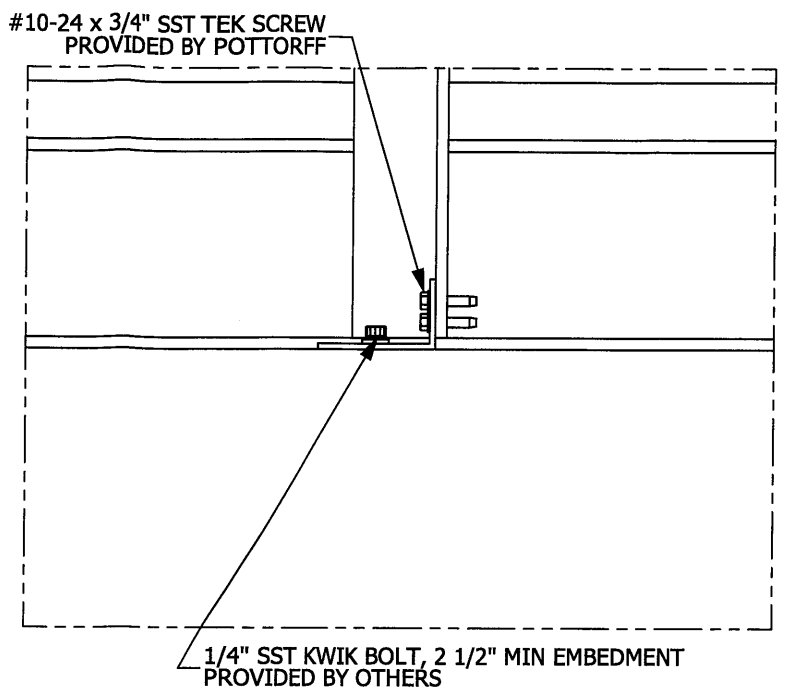
DRAWING DESCR: STEEL ATTACHMENT DETAILS				
PROJECT: FLORIDA BUILDING CODE LOUVERS				
LOCATION:				
CUSTOMER:				
PROJ. MGR:	DRAWN BY: TB			
DATE: 11/24/2009	CHK'D BY:	ORDER NUMBER	P.O. NUMBER	DRAWING NUMBER
SHEET: 2 of 6	SCALE: NTS			STEEL CONDITION



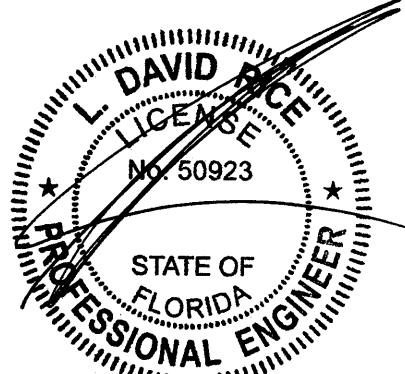
**JAMB ATTACHMENT DETAIL
MASONRY CONDITION (SHEAR CONNECTION)**



**STIFFENER ATTACHMENT DETAIL
MASONRY CONDITION (SHEAR CONNECTION)**



**MULLION ATTACHMENT DETAIL
MASONRY CONDITION (SHEAR CONNECTION)**



APR 09 2010

- INSTALLATION NOTES:**
- 1) DRAWING INCLUDES INSTALLATION DETAILS TO ATTAIN MAXIMUM DESIGN PRESSURES FOR LOUVER PER CHARTS ON DRAWING 6
 - 2) IT IS ASSUMED THAT THE LOUVER SYSTEMS DO NOT SUPPORT ANY LOADS TRANSFERRED FROM THE BUILDING.
 - 3) IT IS ASSUMED THAT THE BUILDING CONDITIONS ARE ADEQUATELY DESIGNED TO SUPPORT LOADS IMPARTED BY THE LOUVER SYSTEM.
 - 4) INSTALLER TO PROVIDE GASKET MATERIAL BETWEEN DISSIMILAR MATERIALS IN ORDER TO PROTECT FROM CORROSION.
 - 5) CRITICAL EQUIPMENT TO BE PROTECTED FROM MOISTURE INGRESS.
 - 6) OTHER BUILDING CONDITIONS THAN THOSE DENOTED CAN BE UTILIZED IF ANALYZED AND APPROVED BY A PROFESSIONAL ENGINEER.
 - 7) MULTI-SECTION WIDE AND HIGH LOUVER SYSTEMS ARE ALLOWABLE PROVIDED THE INDIVIDUAL SECTIONS ARE SUPPORTED PER THE DETAIL ON THIS DRAWING AND A SUITABLE STRUCTURE IS ANALYZED AND APPROVED BY A PROFESSIONAL ENGINEER.
 - 8) ALL CONCRETE SUBSTRATE SHALL BE 2000 PSI OR STRONGER.
 - 9) ALL CMU SUBSTRATE SHALL BE ASTM C90 TYPE 2 FILLED WITH f_m=1500 PSI GROUT

Tom LOUVERS Florida Building Code Louvers

RICE
ENGINEERING

105 School Creek Trail
Luxemburg, WI 54217
Phone: 920.845.1042
Fax: 920.845.1048
www.rice-inc.com

Florida Firm No: F-0100005061
Certificate of Authorization: #9090
L. David Rice
Registration No: 50923

UNLESS OTHERWISE SPECIFIED DIMENSION ARE IN INCHES.

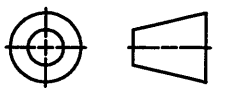
TOLERANCE UNLESS NOTED:

X.X	±0.030
X.XX	±0.015
X.XXX	±0.010
ANGLE	±1°
FRACTION	±1/16

MAX HOLE BREAKOUT:
15% OF MATERIAL THICKNESS

5101 Blue Mound Road
Fort Worth, Texas 76106
Phone: 817-509-2300
Fax: 817-831-3110

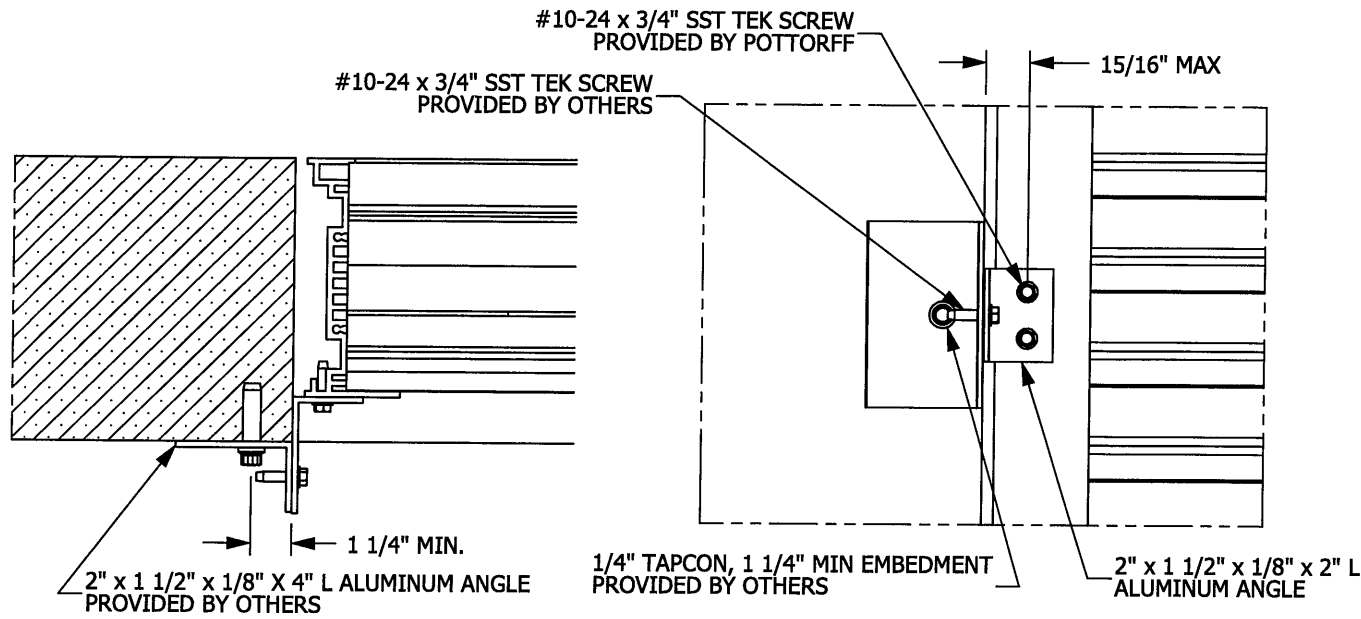
THIRD ANGLE PROJECTION



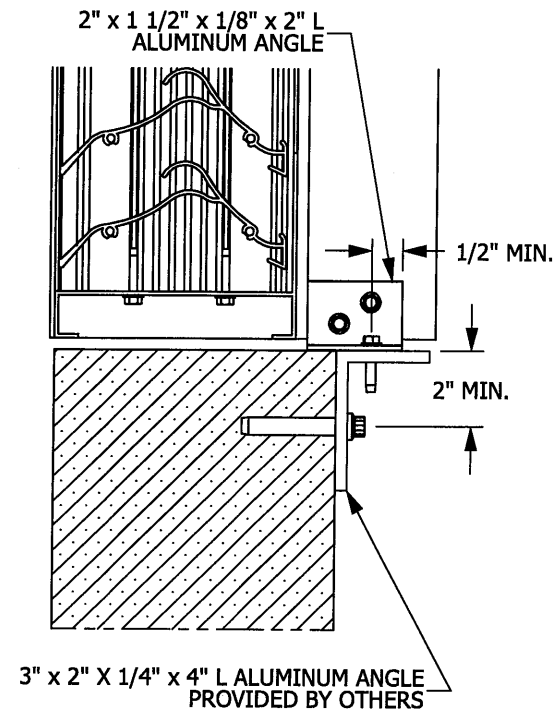
ALL-LITE
ARCHITECTURAL PRODUCTS

THIS DRAWING AND THE DESIGN REPRESENTED ARE THE CONFIDENTIAL AND PROPRIETARY PROPERTY OF PCI INDUSTRIES AND MAY NOT BE DISCLOSED, LOANED, COPIED, OR USED FOR ANY PURPOSE OTHER THAN DESIGN REVIEW AND APPROVAL WITHOUT THE EXPRESS WRITTEN CONSENT OF PCI INDUSTRIES.

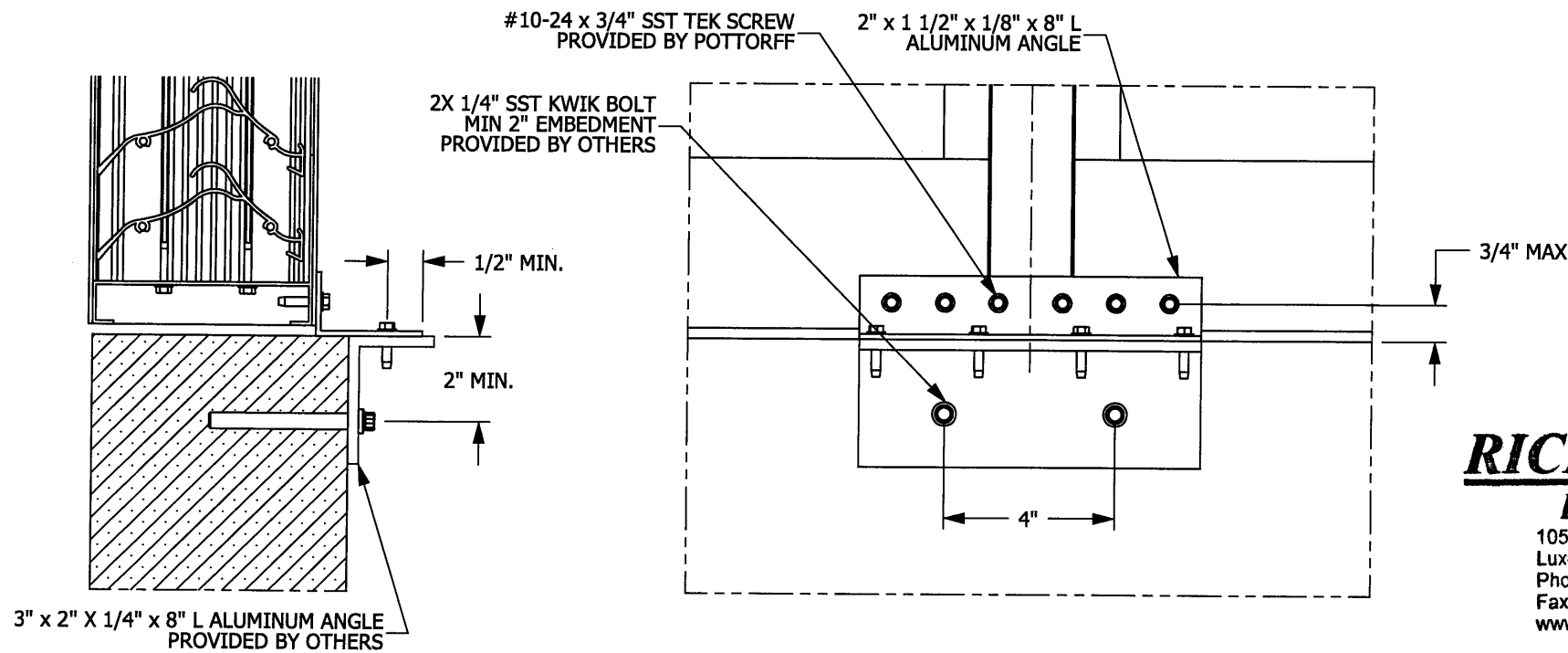
DRAWING DESCR: MASONRY ATTACHMENT DETAILS				
PROJECT: FLORIDA BUILDING CODE LOUVERS				
LOCATION:				
CUSTOMER:				
PROJ. MGR:		DRAWN BY: TB		
DATE: 11/24/2009	CHK'D BY:	ORDER NUMBER	P.O. NUMBER	DRAWING NUMBER
SHEET: 3 of 6	SCALE: NTS			MASONRY COND. (SHEAR)



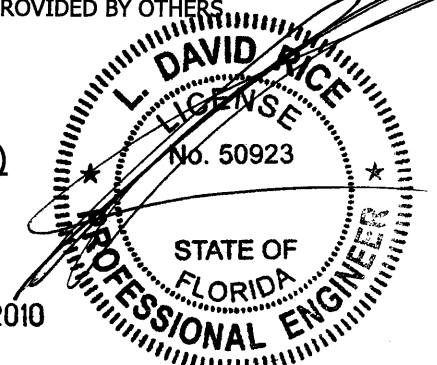
**JAMB ATTACHMENT DETAIL
MASONRY CONDITION (TENSION CONNECTION)**



**STIFFENER ATTACHMENT DETAIL
MASONRY CONDITION (TENSION CONNECTION)**



**MULLION ATTACHMENT DETAIL
MASONRY CONDITION (TENSION CONNECTION)**



APR 09 2010

INSTALLATION NOTES:

- 1) DRAWING INCLUDES INSTALLATION DETAILS TO ATTAIN MAXIMUM DESIGN PRESSURES FOR LOUVER PER CHARTS ON DRAWING 6
- 2) IT IS ASSUMED THAT THE LOUVER SYSTEMS DO NOT SUPPORT ANY LOADS TRANSFERRED FROM THE BUILDING.
- 3) IT IS ASSUMED THAT THE BUILDING CONDITIONS ARE ADEQUATELY DESIGNED TO SUPPORT LOADS IMPARTED BY THE LOUVER SYSTEM.
- 4) INSTALLER TO PROVIDE GASKET MATERIAL BETWEEN DISSIMILAR MATERIALS IN ORDER TO PROTECT FROM CORROSION.
- 5) CRITICAL EQUIPMENT TO BE PROTECTED FROM MOISTURE INGRESS.
- 6) OTHER BUILDING CONDITIONS THAN THOSE DENOTED CAN BE UTILIZED IF ANALYZED AND APPROVED BY A PROFESSIONAL ENGINEER.
- 7) MULTI-SECTION WIDE AND HIGH LOUVER SYSTEMS ARE ALLOWABLE PROVIDED THE INDIVIDUAL SECTIONS ARE SUPPORTED PER THE DETAIL ON THIS DRAWING AND A SUITABLE STRUCTURE IS ANALYZED AND APPROVED BY A PROFESSIONAL ENGINEER.
- 8) ALL CONCRETE SUBSTRATE SHALL BE BE 2000 PSI OR STRONGER.

**RICE
ENGINEERING**

105 School Creek Trail
Luxemburg, WI 54217
Phone: 920.845.1042
Fax: 920.845.1048
www.rice-inc.com

Florida Firm No: F-01000005061
Certificate of Authorization: #9090
L. David Rice
Registration No: 50923

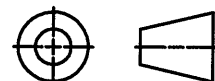
UNLESS OTHERWISE SPECIFIED
DIMENSION ARE IN INCHES.

TOLERANCE UNLESS NOTED:
X.X ±0.030
X.XX ±0.015
X.XXX ±0.010
ANGLE ±1°
FRACTION ±1/16

MAX HOLE BREAKOUT:
15% OF MATERIAL THICKNESS

5101 Blue Mound Road
Fort Worth, Texas 76106
Phone: 817-509-2300
Fax: 817-831-3110

THIRD ANGLE PROJECTION



**ALL-LITE
ARCHITECTURAL PRODUCTS**

THIS DRAWING AND THE DESIGN REPRESENTED ARE THE CONFIDENTIAL AND PROPRIETARY PROPERTY OF PCI INDUSTRIES AND MAY NOT BE DISCLOSED, LOANED, COPIED, OR USED FOR ANY PURPOSE OTHER THAN DESIGN REVIEW AND APPROVAL WITHOUT THE EXPRESS WRITTEN CONSENT OF PCI INDUSTRIES.

DRAWING DESCR: MASONRY ATTACHMENT DETAILS

PROJECT: FLORIDA BUILDING CODE LOUVERS

LOCATION:

CUSTOMER:

PROJ. MGR:

DRAWN BY: TB

DATE: 11/24/2009

CHK'D BY:

ORDER NUMBER

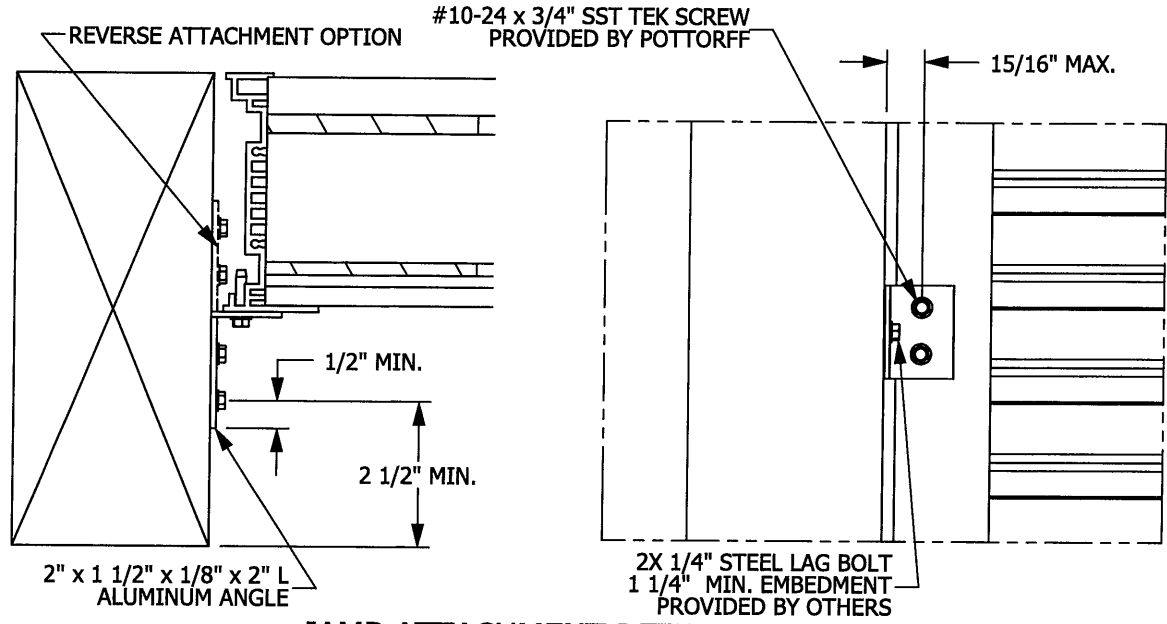
P.O. NUMBER

DRAWING NUMBER
MASONRY COND.
(TENSION)

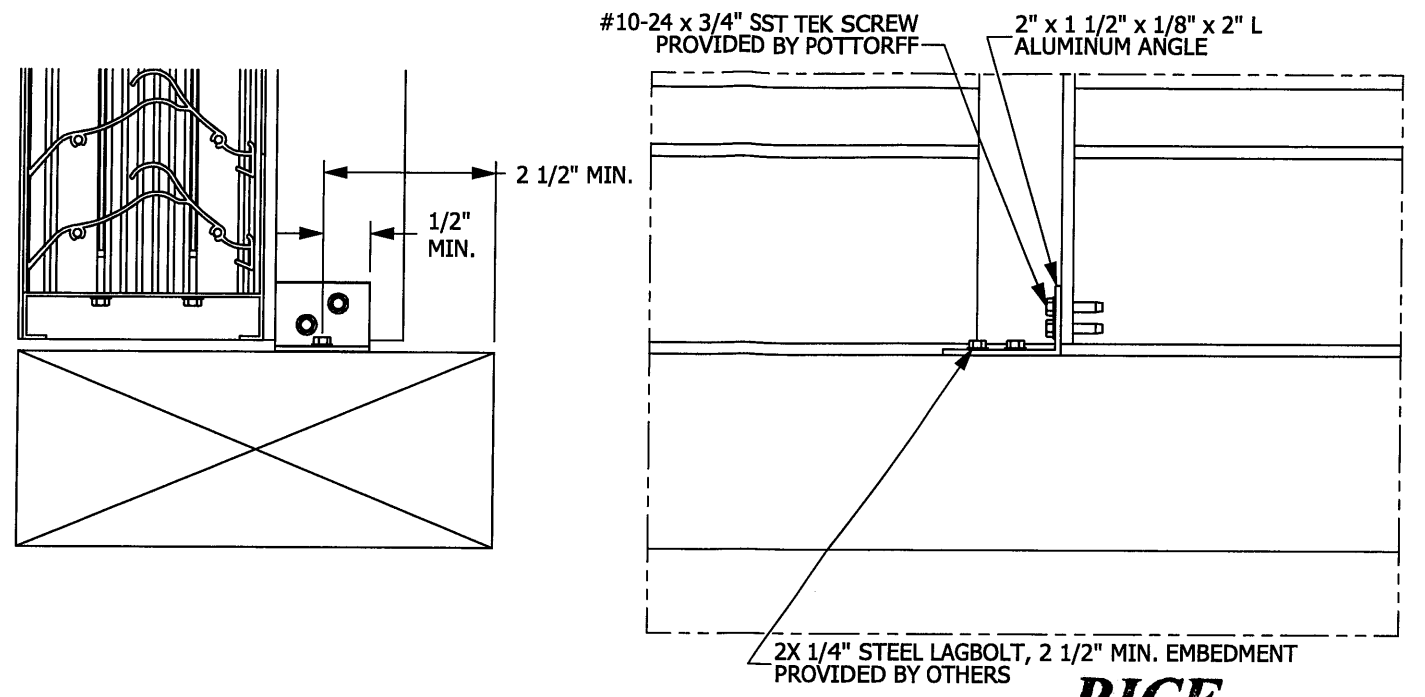
SHEET: 4 of 6

SCALE: NTS

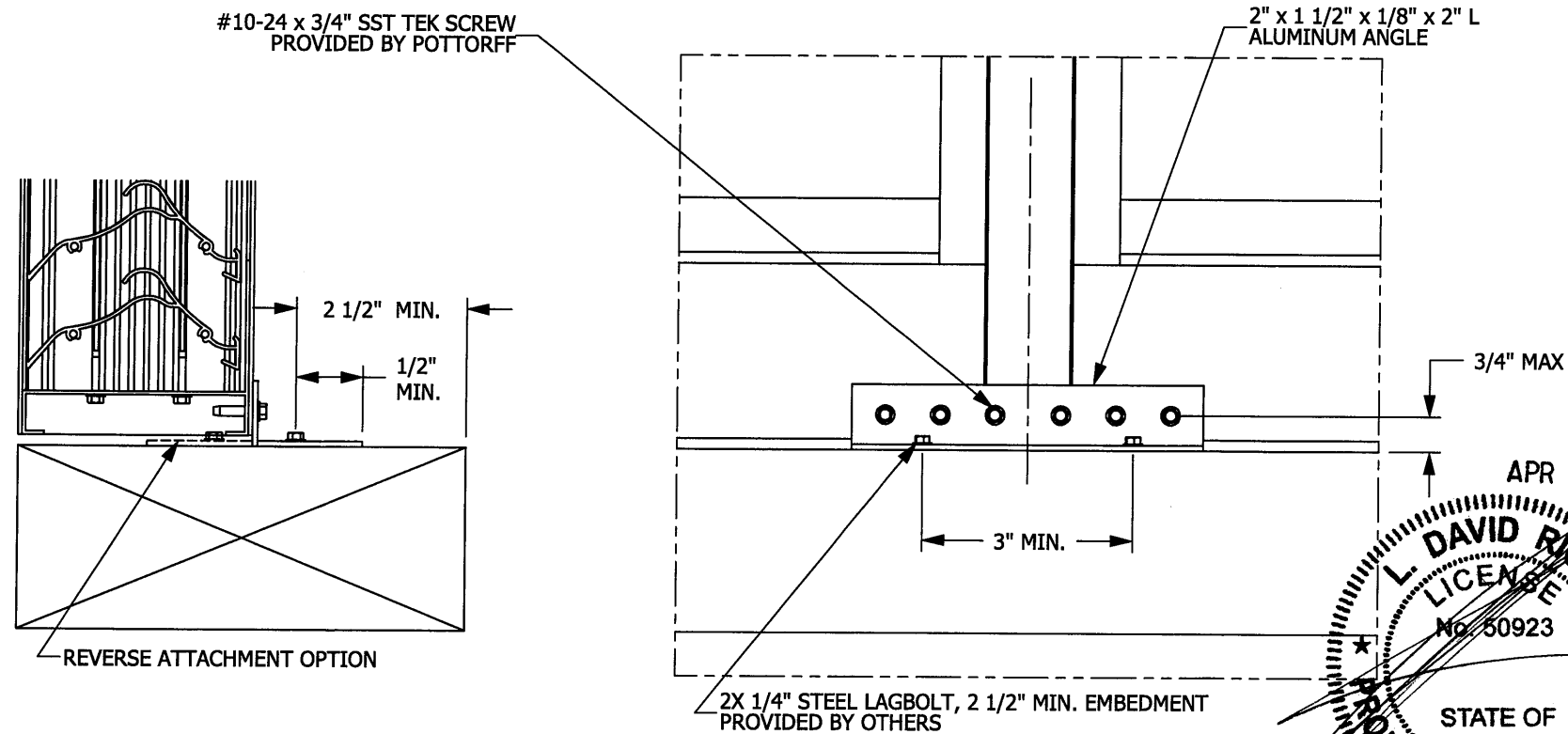
Tom\LOUVERS\Florida Building Code Louvers



**JAMB ATTACHMENT DETAIL
WOOD BLOCK CONDITION**



**STIFFENER ATTACHMENT DETAIL
WOOD BLOCK CONDITION**

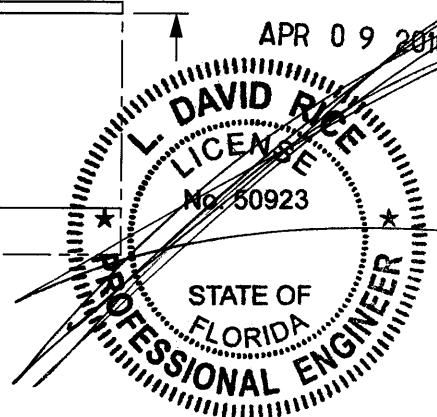


**MULLION ATTACHMENT DETAIL
WOOD BLOCK CONDITION**

RICE
ENGINEERING
105 School Creek Trail
Luxemburg, WI 54217
Phone: 920.845.1042
Fax: 920.845.1048
www.rice-inc.com

Florida Firm No: F-01000005061
Certificate of Authorization: #9090
L. David Rice
Registration No: 50923

- INSTALLATION NOTES:**
- 1) DRAWING INCLUDES INSTALLATION DETAILS TO ATTAIN MAXIMUM DESIGN PRESSURES FOR LOUVER PER CHARTS ON DRAWING 6
 - 2) IT IS ASSUMED THAT THE LOUVER SYSTEMS DO NOT SUPPORT ANY LOADS TRANSFERRED FROM THE BUILDING.
 - 3) IT IS ASSUMED THAT THE BUILDING CONDITIONS ARE ADEQUATELY DESIGNED TO SUPPORT LOADS IMPARTED BY THE LOUVER SYSTEM.
 - 4) INSTALLER TO PROVIDE GASKET MATERIAL BETWEEN DISSIMILAR MATERIALS IN ORDER TO PROTECT FROM CORROSION.
 - 5) CRITICAL EQUIPMENT TO BE PROTECTED FROM MOISTURE INGRESS.
 - 6) OTHER BUILDING CONDITIONS THAN THOSE DENOTED CAN BE UTILIZED IF ANALYZED AND APPROVED BY A PROFESSIONAL ENGINEER.
 - 7) MULTI-SECTION WIDE AND HIGH LOUVER SYSTEMS ARE ALLOWABLE PROVIDED THE INDIVIDUAL SECTIONS ARE SUPPORTED PER THE DETAIL ON THIS DRAWING AND A SUITABLE STRUCTURE IS ANALYZED AND APPROVED BY A PROFESSIONAL ENGINEER.
 - 8) ALL WOOD SUBSTRATE SHALL BE G=0.42 DENSITY OR BETTER.



UNLESS OTHERWISE SPECIFIED
DIMENSION ARE IN INCHES.

TOLERANCE UNLESS NOTED:
X.X ±0.030
X.XX ±0.015
X.XXX ±0.010
ANGLE ±1°
FRACTION ±1/16

MAX HOLE BREAKOUT:
15% OF MATERIAL THICKNESS

5101 Blue Mound Road
Fort Worth, Texas 76106
Phone: 817-509-2300
Fax: 817-831-3110

THIRD ANGLE PROJECTION

ALL-LITE
ARCHITECTURAL PRODUCTS

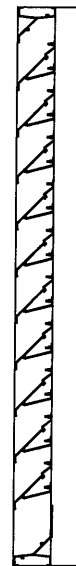
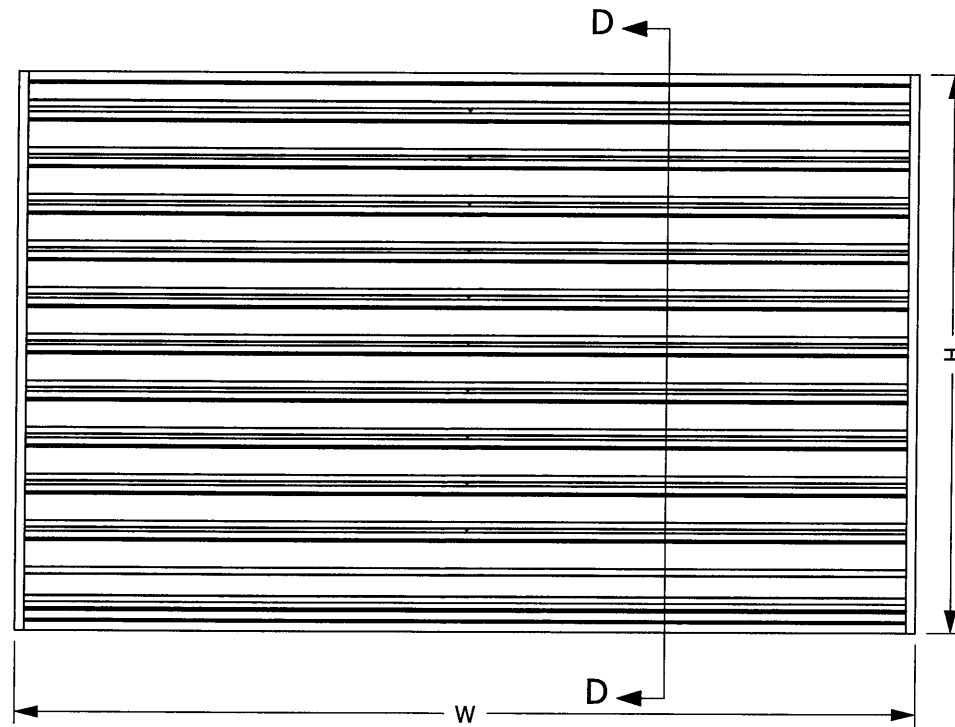
THIS DRAWING AND THE DESIGN REPRESENTED ARE THE CONFIDENTIAL AND PROPRIETARY PROPERTY OF PCI INDUSTRIES AND MAY NOT BE DISCLOSED, LOANED, COPIED, OR USED FOR ANY PURPOSE OTHER THAN DESIGN REVIEW AND APPROVAL WITHOUT THE EXPRESS WRITTEN CONSENT OF PCI INDUSTRIES.

DRAWING DESCR: WOOD ATTACHMENT DETAILS				
PROJECT: FLORIDA BUILDING CODE LOUVERS				
LOCATION:				
CUSTOMER:				
PROJ. MGR:		DRAWN BY: TB		
DATE: 11/24/2009	CHK'D BY:	ORDER NUMBER	P.O. NUMBER	DRAWING NUMBER
SHEET: 5 of 6	SCALE: NTS			WOOD CONDITION

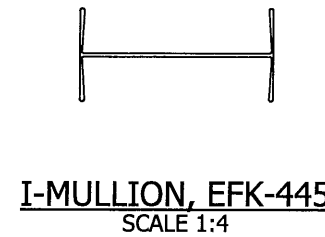
Louver Tributary Height (in.)	EFK-445 LOUVER MODEL - Single Section Width Assemblies - Maximum Allowable Design Pressure - (PSF)																		
	Louver Width (in.)																		
	12"	18"	24"	30"	36"	42"	48"	54"	60"	66"	72"	78"	84"	90"	96"	102"	108"	114"	120"
12"	187	125	93	75	62	50	34	24	17	68	62	57	53	50	47	43	38	34	31
18"	187	125	93	75	62	50	34	24	17	68	62	57	53	50	47	43	38	34	31
24"	187	125	93	75	62	50	34	24	17	68	62	57	53	50	47	43	38	34	31
30"	187	125	93	75	62	50	34	24	17	61	56	52	48	45	42	40	37	34	31
36"	187	125	93	75	62	50	34	24	17	42	39	36	33	50	47	43	38	34	31
42"	187	125	93	75	62	50	34	24	17	54	50	46	43	40	37	35	33	32	31
48"	187	125	93	75	62	50	34	24	17	42	38	35	33	31	47	43	38	34	31
54"	187	125	93	75	62	50	34	24	17	33	57	53	49	46	43	40	38	34	31
60"	187	125	93	75	62	50	34	24	17	50	46	43	40	37	35	33	38	34	31
66"	187	125	93	75	62	50	34	24	17	SIZES IN SHADED CELL GET ANGLE STIFFENER									
72"	187	125	93	75	62	50	34	24	17	SIZES IN SHADED CELL GET ANGLE STIFFENER									
78"	187	125	93	75	62	50	34	24	17	SIZES IN SHADED CELL GET ANGLE STIFFENER									
84"	187	125	93	75	62	50	34	24	17	SIZES IN SHADED CELL GET ANGLE STIFFENER									
90"	187	125	93	75	62	50	34	24	17	SIZES IN SHADED CELL GET ANGLE STIFFENER									
96"	187	125	93	75	62	50	34	24	17	SIZES IN SHADED CELL GET ANGLE STIFFENER									
102"	187	125	93	75	62	50	34	24	17	SIZES IN SHADED CELL GET ANGLE STIFFENER									
108"	187	125	93	75	62	50	34	24	17	SIZES IN SHADED CELL GET ANGLE STIFFENER									
114"	187	125	93	75	62	50	34	24	17	SIZES IN SHADED CELL GET ANGLE STIFFENER									
120"	187	125	93	75	62	50	34	24	17	SIZES IN SHADED CELL GET ANGLE STIFFENER									

Louver Tributary Height (in.)	EFK-445 LOUVER MODEL - Multiple Section Width Assemblies - Maximum Allowable Design Pressure - (PSF)																		
	Louver Width (in.)																		
	12"	18"	24"	30"	36"	42"	48"	54"	60"	66"	72"	78"	84"	90"	96"	102"	108"	114"	120"
12"	187	125	93	75	62	50	34	24	17	68	62	57	53	50	47	43	38	34	31
18"	187	125	93	75	62	50	34	24	17	68	62	57	53	50	47	43	38	34	31
24"	187	125	93	75	62	50	34	24	17	68	62	57	53	50	47	43	38	34	31
30"	187	125	93	75	62	50	34	24	17	61	56	52	48	45	42	40	37	34	31
36"	187	125	93	75	62	50	34	24	17	42	39	36	33	50	47	43	38	34	31
42"	187	125	93	75	62	50	34	24	17	54	50	46	43	40	37	35	33	32	31
48"	187	125	93	75	62	50	34	24	17	42	38	35	33	31	47	43	38	34	31
54"	187	125	93	75	62	50	34	24	17	33	57	53	49	46	43	40	38	34	31
60"	187	125	93	75	62	50	34	24	17	50	46	43	40	37	35	33	34	33	31
66"	187	125	93	75	62	50	34	24	17	SIZES IN SHADED CELL GET ANGLE STIFFENER									
72"	187	125	93	75	62	50	34	24	17	SIZES IN SHADED CELL GET ANGLE STIFFENER									
78"	187	125	93	75	62	50	34	24	17	SIZES IN SHADED CELL GET ANGLE STIFFENER									
84"	187	125	93	75	62	50	34	24	17	SIZES IN SHADED CELL GET ANGLE STIFFENER									
90"	187	125	93	75	62	50	34	24	17	SIZES IN SHADED CELL GET ANGLE STIFFENER									
96"	187	125	93	75	62	50	34	24	17	SIZES IN SHADED CELL GET ANGLE STIFFENER									
102"	171	114	85	68	57	49	34	24	17	SIZES IN SHADED CELL GET ANGLE STIFFENER									
108"	152	102	76	61	51	44	34	24	17	SIZES IN SHADED CELL GET ANGLE STIFFENER									
114"	137	91	68	55	46	39	34	24	17	SIZES IN SHADED CELL GET ANGLE STIFFENER									
120"	123	82	62	49	41	35	31	24	17	SIZES IN SHADED CELL GET ANGLE STIFFENER									

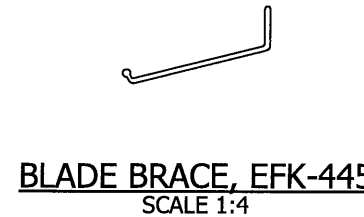
Louver Height (in.)	Stiffener Angle Dimensions (b x a x t)											
	Width (in)											
	66"	72"	78"	84"	90"	96"	102"	108"	114"	120"		
12"	2"x1.5"x1/8"											
18"	2"x1.5"x1/8"											
24"	2"x1.5"x1/8"											
30"	2"x1.5"x1/8"											
36"	2"x2"x1/8"											
42"	2"x2"x1/8"											
48"	2"x2"x1/8"											
54"	2"x2"x1/4"											
60"	3"x2"x1/4"											



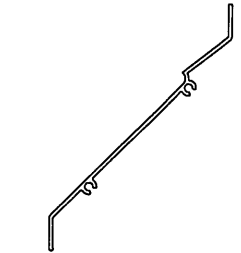
SECTION D-D



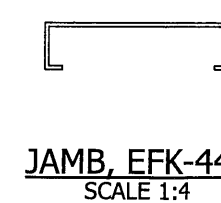
I-MULLION, EFK-445
SCALE 1:4



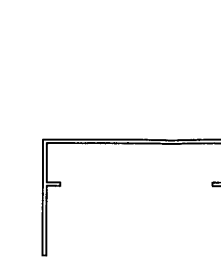
BLADE BRACE, EFK-445
SCALE 1:4



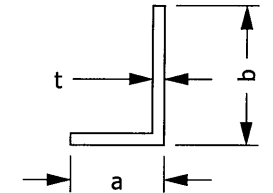
BLADE, EFK-445
SCALE 1:4



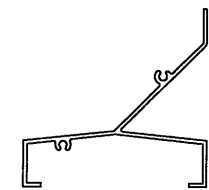
JAMB, EFK-445
SCALE 1:4



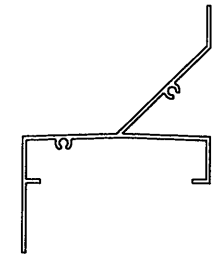
FLANGED JAMB, EFK-445
SCALE 1:4



STIFFENER, EFK-445
SCALE 1:4



HEAD/SILL, EFK-445
SCALE 1:4



FLANGED HEAD/SILL, EFK-445
SCALE 1:4

RICE
ENGINEERING
105 School Creek Trail
Luxemburg, WI 54217
Phone: 920.845.1042
Fax: 920.845.1048
www.rice-inc.com

Florida Firm No: F-01000005061
Certificate of Authorization: #9090
L. David Rice
Registration No: 50923

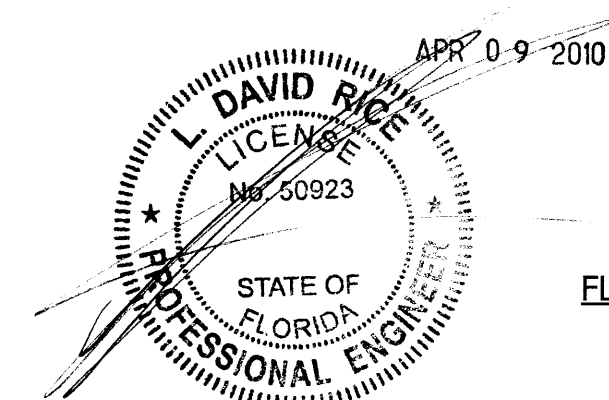
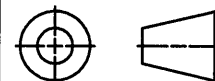
UNLESS OTHERWISE SPECIFIED
DIMENSION ARE IN INCHES.

TOLERANCE UNLESS NOTED:
X.X ±0.030
X.XX ±0.015
X.XXX ±0.010
ANGLE ±1°
FRACTION ±1/16

MAX HOLE BREAKOUT:
15% OF MATERIAL THICKNESS

5101 Blue Mound Road
Fort Worth, Texas 76106
Phone: 817-509-2300
Fax: 817-831-3110

THIRD ANGLE PROJECTION



ALL-LITE
ARCHITECTURAL PRODUCTS
THIS DRAWING AND THE DESIGN REPRESENTED ARE THE CONFIDENTIAL AND PROPRIETARY PROPERTY OF PCI INDUSTRIES AND MAY NOT BE DISCLOSED, LOANED, COPIED, OR USED FOR ANY PURPOSE OTHER THAN DESIGN REVIEW AND APPROVAL WITHOUT THE EXPRESS WRITTEN CONSENT OF PCI INDUSTRIES.

DRAWING DESCR: EFK-445, ELEVATION & DETAILS

PROJECT: FLORIDA BUILDING CODE LOUVERS

LOCATION:

CUSTOMER:

PROJ. MGR:

DATE: 11/24/2009

SHEET: 6 of 6

CHK'D BY:
SCALE: 1:20

DRAWN BY: TB

ORDER NUMBER

P.O. NUMBER

DRAWING NUMBER

EFK-445