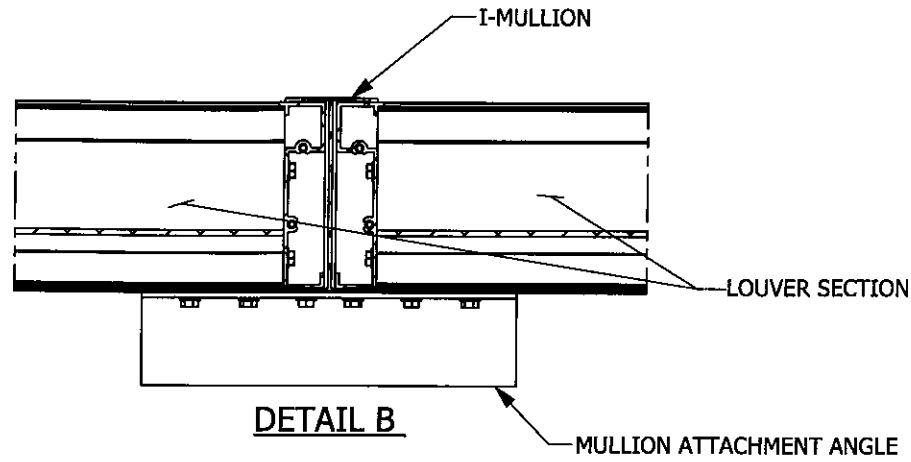


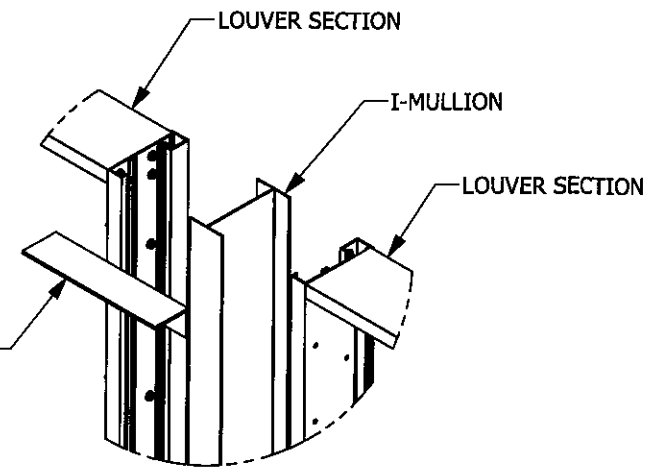
RICE
ENGINEERING

105 School Creek Trail
Luxemburg, WI 54217
Phone: 920.845 1042
Fax: 920.845 1048
www.rice-inc.com

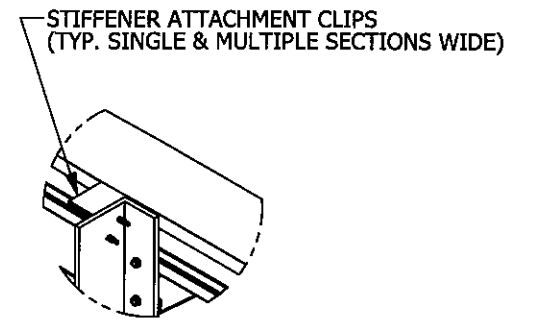
Florida Firm No. F-0100005061
Certificate of Authorization: #9090
L. David Rice
Registration No: 50923



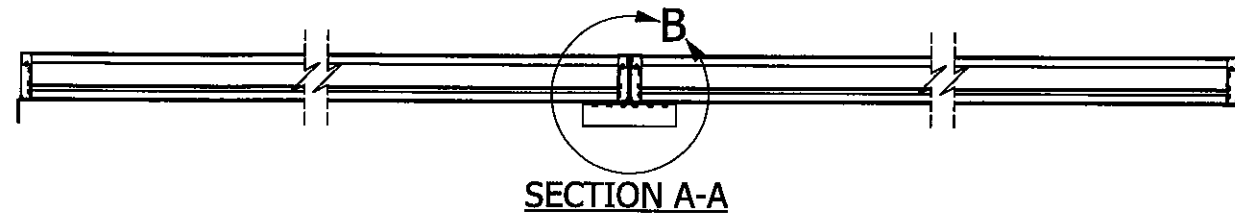
MULLION ATTACHMENT ANGLE



DETAIL B
(EXPLODED ISOMETRIC)

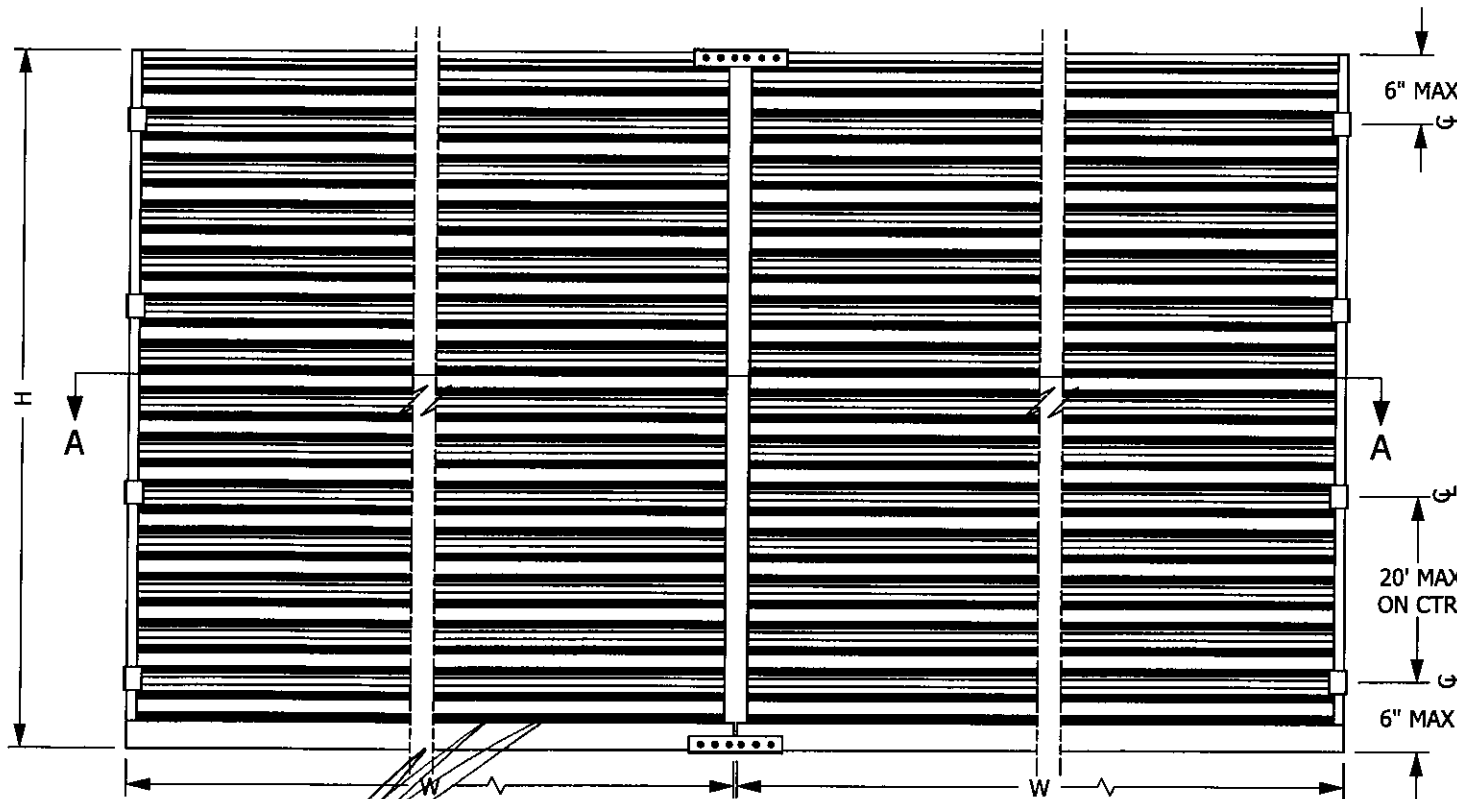


DETAIL C
STIFFENER CLIP ANGLE

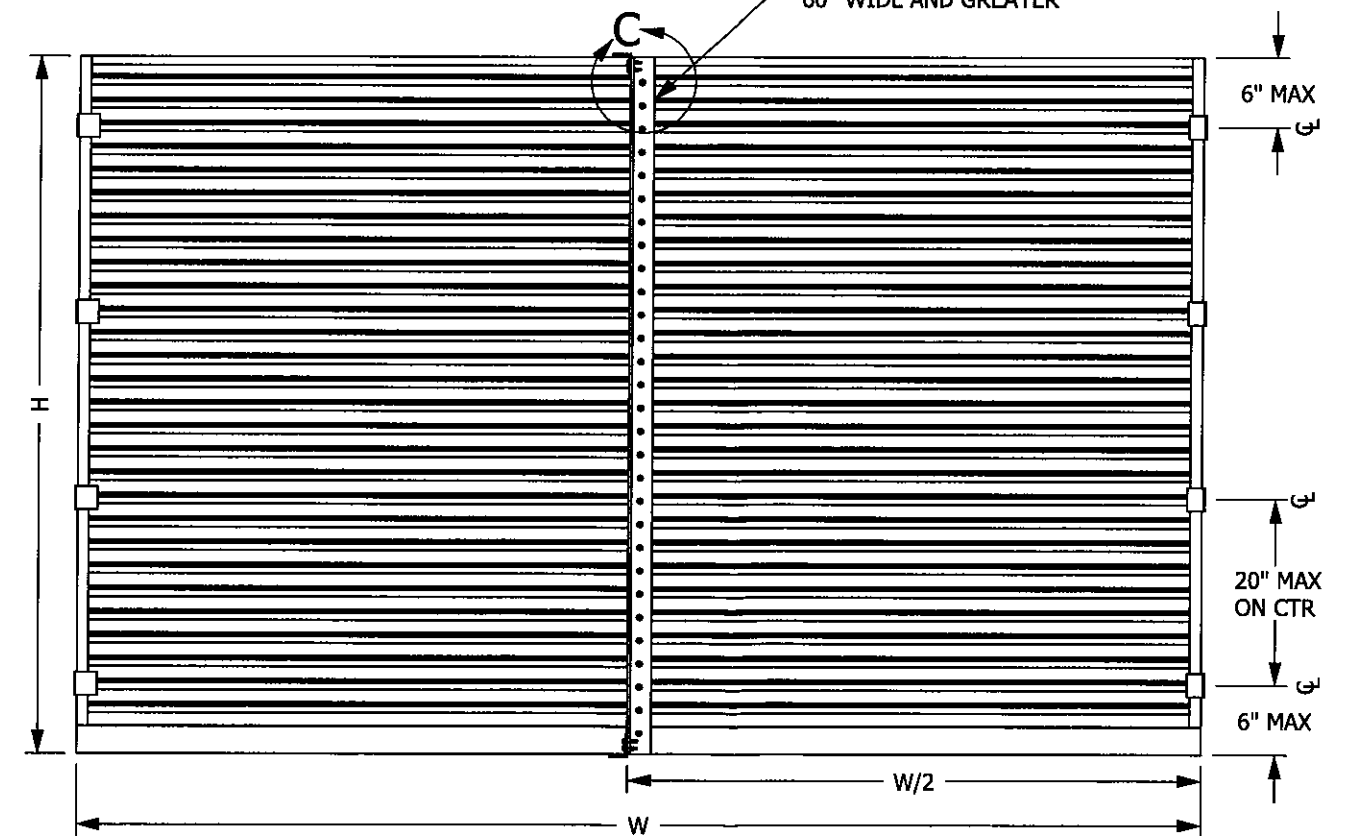


SECTION A-A

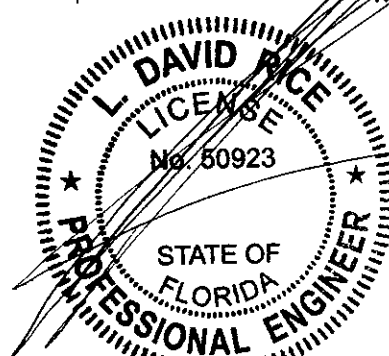
STIFFENER ANGLE FOR SECTIONS
60" WIDE AND GREATER



MULTIPLE SECTION WIDE
INTERIOR ELEVATION
CLIP PLACEMENT



SINGLE SECTION WIDE, INTERIOR ELEVATION
CLIP PLACEMENT



APR 09 2010

UNLESS OTHERWISE SPECIFIED
DIMENSION ARE IN INCHES.

TOLERANCE UNLESS NOTED:
X.X ±0.030
X.XX ±0.015
X.XXX ±0.010
ANGLE ±1°
FRACTION ±1/16

MAX HOLE BREAKOUT:
15% OF MATERIAL THICKNESS

5101 Blue Mound Road
Fort Worth, Texas 76106
Phone: 817-509-2300
Fax: 817-831-3110

THIRD ANGLE PROJECTION



ALL-LITE
ARCHITECTURAL PRODUCTS

THIS DRAWING AND THE DESIGN REPRESENTED ARE
THE CONFIDENTIAL AND PROPRIETARY PROPERTY OF
PCI INDUSTRIES AND MAY NOT BE DISCLOSED, LOANED,
COPIED, OR USED FOR ANY PURPOSE OTHER THAN DESIGN
REVIEW AND APPROVAL WITHOUT THE EXPRESS WRITTEN
CONSENT OF PCI INDUSTRIES.

DRAWING DESCR: ATTACHMENT ELEVATION & DETAILS

PROJECT: FLORIDA BUILDING CODE LOUVERS

LOCATION:

CUSTOMER:

PROJ. MGR:

DATE: 11/24/2009

SHEET: 1 of 6

CHK'D BY:

SCALE: NTS

DRAWN BY: TB

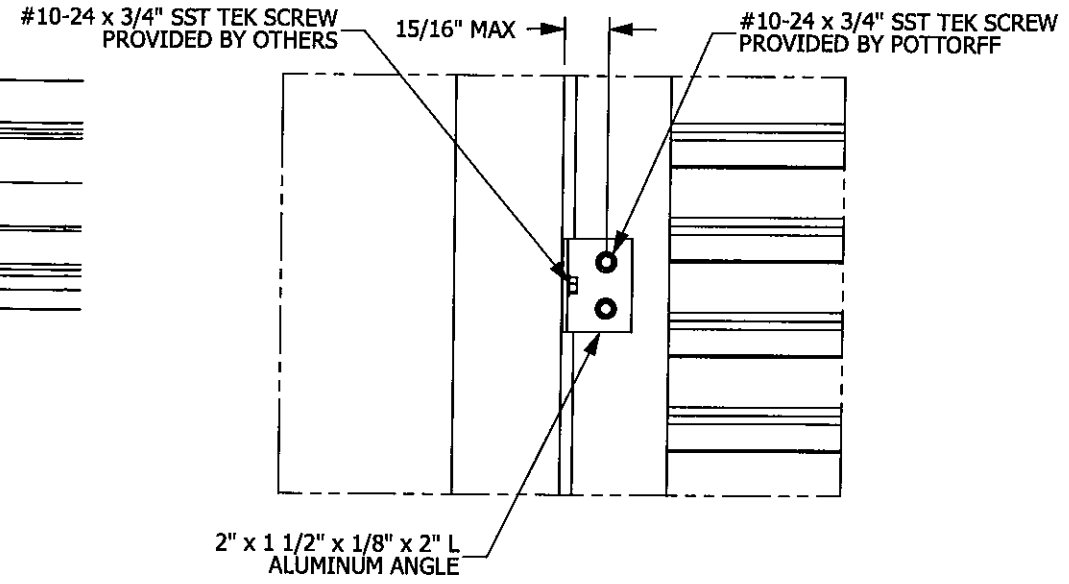
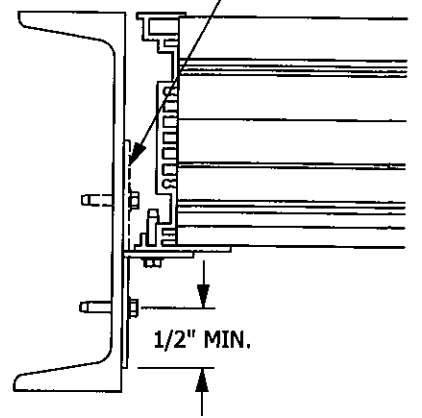
ORDER NUMBER

P.O. NUMBER

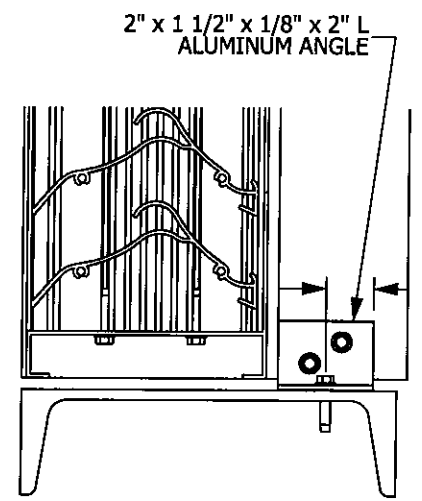
DRAWING NUMBER

ATTACHMENT

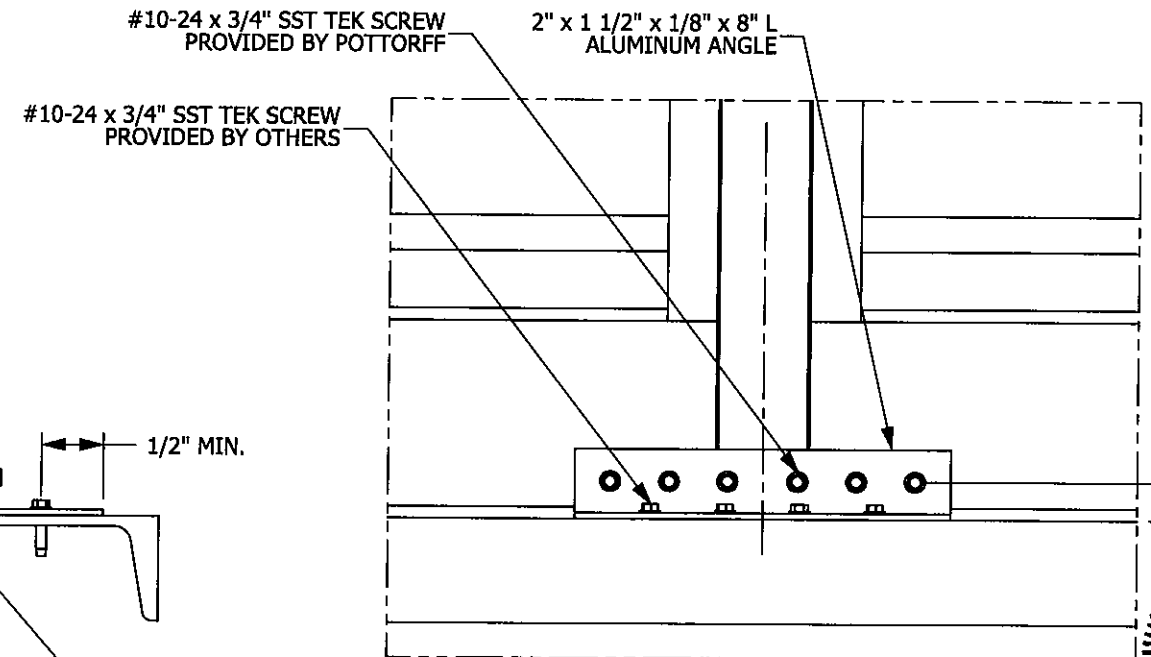
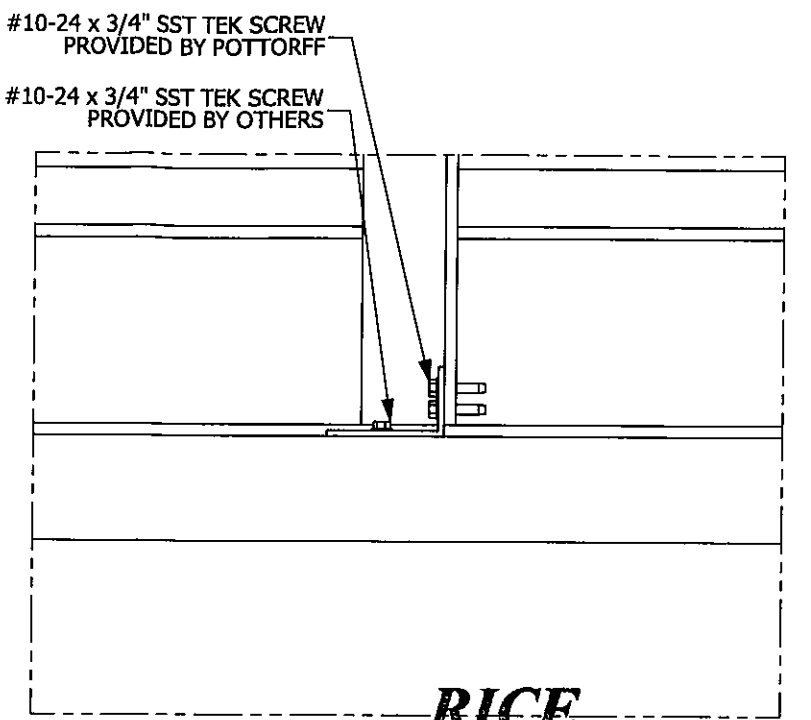
REVERSE ATTACHMENT OPTION



JAMB ATTACHMENT DETAILS
STEEL CONDITION



STIFFENER ATTACHMENT DETAILS
STEEL CONDITION



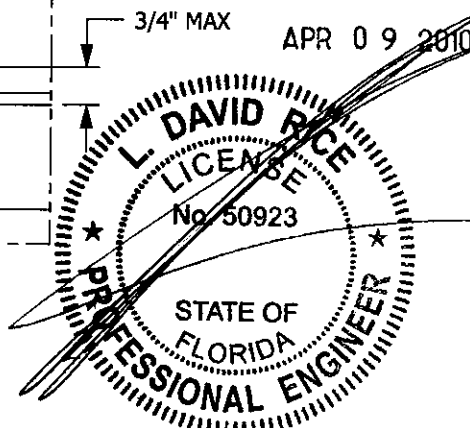
MULLION ATTACHMENT DETAILS
STEEL CONDITION

RICE
ENGINEERING

105 School Creek Trail
Luxemburg, WI 54217
Phone 920.845.1042
Fax 920.845.1048
www.rice-inc.com

Florida Firm No F-01000005061
Certificate of Authorization #9090
L David Rice
Registration No 50923

- INSTALLATION NOTES:
- 1) DRAWING INCLUDES INSTALLATION DETAILS TO ATTAIN MAXIMUM DESIGN PRESSURES FOR LOUVER PER CHARTS ON DRAWING 6
 - 2) IT IS ASSUMED THAT THE LOUVER SYSTEMS DO NOT SUPPORT ANY LOADS TRANSFERRED FROM THE BUILDING.
 - 3) IT IS ASSUMED THAT THE BUILDING CONDITIONS ARE ADEQUATELY DESIGNED TO SUPPORT LOADS IMPARTED BY THE LOUVER SYSTEM.
 - 4) INSTALLER TO PROVIDE GASKET MATERIAL BETWEEN DISSIMILAR MATERIALS IN ORDER TO PROTECT FROM CORROSION.
 - 5) CRITICAL EQUIPMENT TO BE PROTECTED FROM MOISTURE INGRESS.
 - 6) OTHER BUILDING CONDITIONS THAN THOSE DENOTED CAN BE UTILIZED IF ANALYZED AND APPROVED BY A PROFESSIONAL ENGINEER.
 - 7) MULTI-SECTION WIDE AND HIGH LOUVER SYSTEMS ARE ALLOWABLE PROVIDED THE INDIVIDUAL SECTIONS ARE SUPPORTED PER THE DETAIL ON THIS DRAWING AND A SUITABLE STRUCTURE IS ANALYZED AND APPROVED BY A PROFESSIONAL ENGINEER.
 - 8) ALL STEEL SUBSTRATE SHALL BE 18 GA STUD EQUIVALENT OR STRONGER.



Tom\LOUVERS\Florida Building Code Louvers

UNLESS OTHERWISE SPECIFIED DIMENSION ARE IN INCHES.

TOLERANCE UNLESS NOTED:

X.X	±0.030
X.XX	±0.015
X.XXX	±0.010
ANGLE	±1°
FRACTION	±1/16

MAX HOLE BREAKOUT:
15% OF MATERIAL THICKNESS

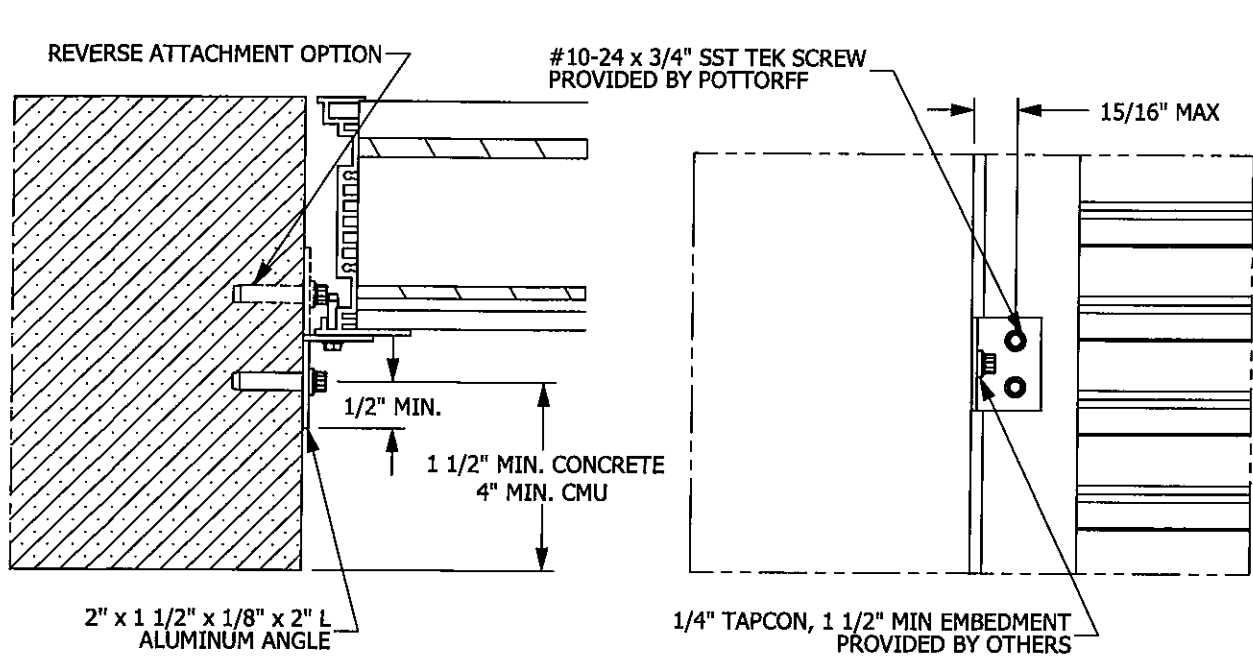
5101 Blue Mound Road
Fort Worth, Texas 76106
Phone: 817-509-2300
Fax: 817-831-3110

THIRD ANGLE PROJECTION

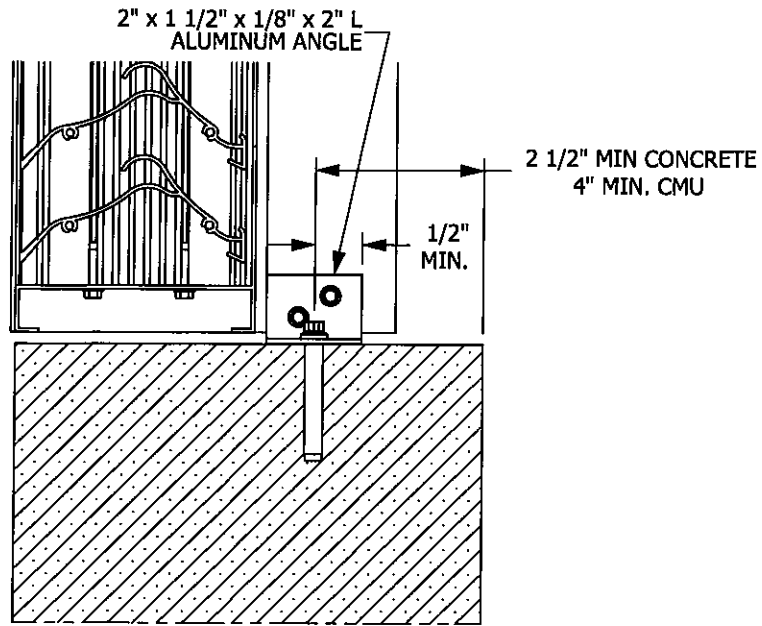
ALL-LITE
ARCHITECTURAL PRODUCTS

THIS DRAWING AND THE DESIGN REPRESENTED ARE THE CONFIDENTIAL AND PROPRIETARY PROPERTY OF PCI INDUSTRIES AND MAY NOT BE DISCLOSED, LOANED, COPIED, OR USED FOR ANY PURPOSE OTHER THAN DESIGN REVIEW AND APPROVAL WITHOUT THE EXPRESS WRITTEN CONSENT OF PCI INDUSTRIES.

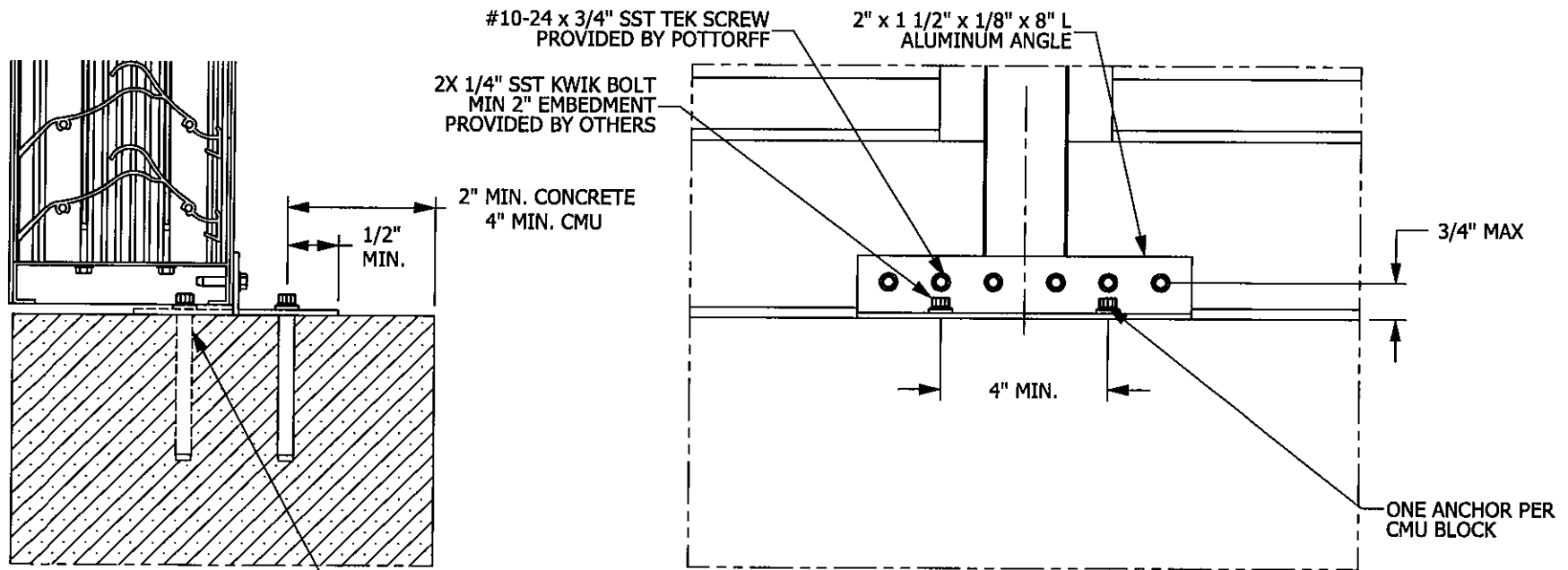
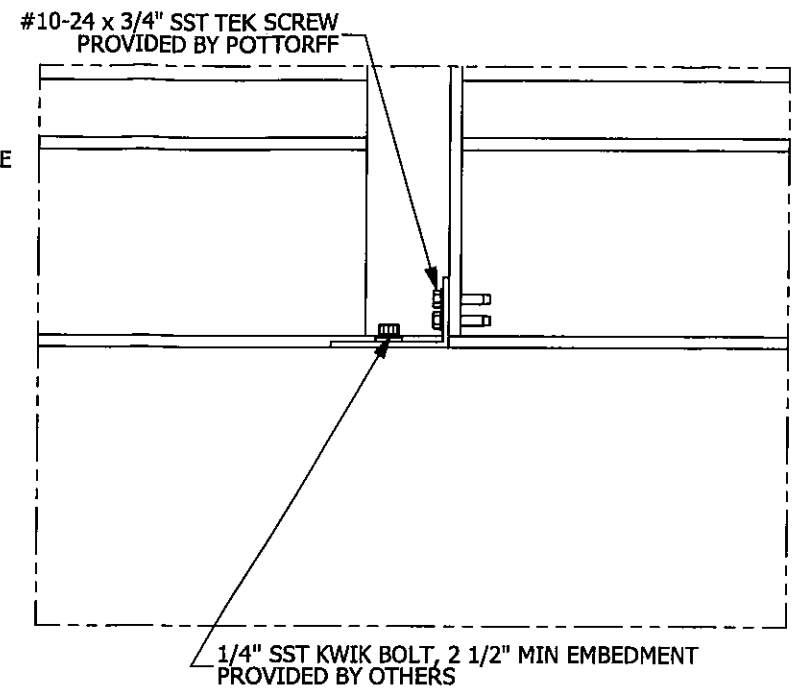
DRAWING DESCR: STEEL ATTACHMENT DETAILS			
PROJECT: FLORIDA BUILDING CODE LOUVERS			
LOCATION:			
CUSTOMER:			
PROJ. MGR:	DRAWN BY: TB		
DATE: 11/24/2009	CHK'D BY:	ORDER NUMBER	P.O. NUMBER
SHEET: 2 of 6	SCALE: NTS		DRAWING NUMBER
			STEEL CONDITION



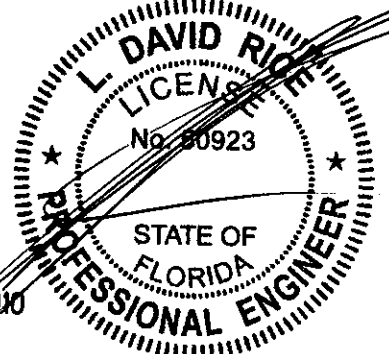
**JAMB ATTACHMENT DETAIL
MASONRY CONDITION (SHEAR CONNECTION)**



**STIFFENER ATTACHMENT DETAIL
MASONRY CONDITION (SHEAR CONNECTION)**



**MULLION ATTACHMENT DETAIL
MASONRY CONDITION (SHEAR CONNECTION)**



- INSTALLATION NOTES:**
- 1) DRAWING INCLUDES INSTALLATION DETAILS TO ATTAIN MAXIMUM DESIGN PRESSURES FOR LOUVER PER CHARTS ON DRAWING 6
 - 2) IT IS ASSUMED THAT THE LOUVER SYSTEMS DO NOT SUPPORT ANY LOADS TRANSFERRED FROM THE BUILDING.
 - 3) IT IS ASSUMED THAT THE BUILDING CONDITIONS ARE ADEQUATELY DESIGNED TO SUPPORT LOADS IMPARTED BY THE LOUVER SYSTEM.
 - 4) INSTALLER TO PROVIDE GASKET MATERIAL BETWEEN DISSIMILAR MATERIALS IN ORDER TO PROTECT FROM CORROSION.
 - 5) CRITICAL EQUIPMENT TO BE PROTECTED FROM MOISTURE INGRESS.
 - 6) OTHER BUILDING CONDITIONS THAN THOSE DENOTED CAN BE UTILIZED IF ANALYZED AND APPROVED BY A PROFESSIONAL ENGINEER.
 - 7) MULTI-SECTION WIDE AND HIGH LOUVER SYSTEMS ARE ALLOWABLE PROVIDED THE INDIVIDUAL SECTIONS ARE SUPPORTED PER THE DETAIL ON THIS DRAWING AND A SUITABLE STRUCTURE IS ANALYZED AND APPROVED BY A PROFESSIONAL ENGINEER.
 - 8) ALL CONCRETE SUBSTRATE SHALL BE 2000 PSI OR STRONGER.
 - 9) ALL CMU SUBSTRATE SHALL BE ASTM C90 TYPE 2 FILLED WITH f'm=1500 PSI GROUT

RICE ENGINEERING

105 School Creek Trail
Luxemburg, WI 54217
Phone: 920.845.1042
Fax: 920.845.1048
www.rice-inc.com

Florida Firm No: F-01000005061
Certificate of Authorization: #9090
L. David Rice
Registration No: 50923

UNLESS OTHERWISE SPECIFIED DIMENSION ARE IN INCHES.

TOLERANCE UNLESS NOTED:

X.X	±0.030
X.XX	±0.015
X.XXX	±0.010
ANGLE	±1°
FRACTION	±1/16

MAX HOLE BREAKOUT:
15% OF MATERIAL THICKNESS

5101 Blue Mound Road
Fort Worth, Texas 76106
Phone: 817-509-2300
Fax: 817-831-3110

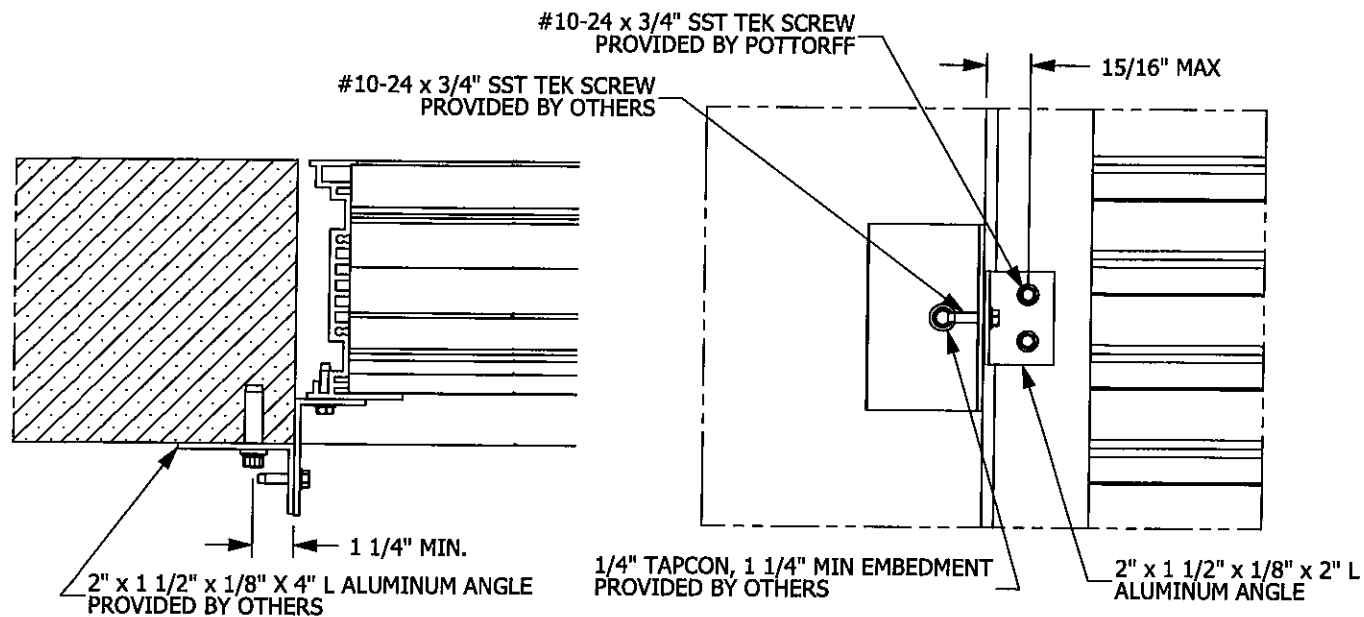
THIRD ANGLE PROJECTION

ALL-LITE ARCHITECTURAL PRODUCTS

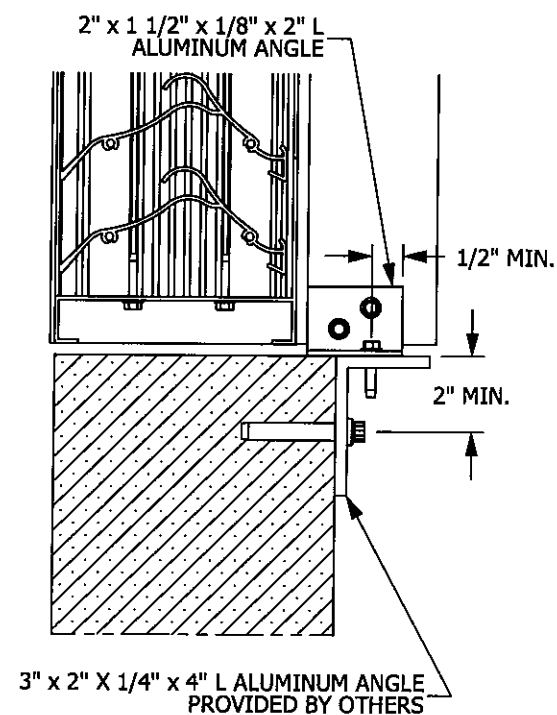
THIS DRAWING AND THE DESIGN REPRESENTED ARE THE CONFIDENTIAL AND PROPRIETARY PROPERTY OF PCI INDUSTRIES AND MAY NOT BE DISCLOSED, LOANED, COPIED, OR USED FOR ANY PURPOSE OTHER THAN DESIGN REVIEW AND APPROVAL WITHOUT THE EXPRESS WRITTEN CONSENT OF PCI INDUSTRIES.

DRAWING DESCR: MASONRY ATTACHMENT DETAILS			
PROJECT: FLORIDA BUILDING CODE LOUVERS			
LOCATION:			
CUSTOMER:			
PROJ. MGR:	CHK'D BY:	DRAWN BY: TB	ORDER NUMBER
DATE: 11/24/2009	SCALE: NTS	P.O. NUMBER	DRAWING NUMBER MASONRY COND. (SHEAR)
SHEET: 3 of 6			

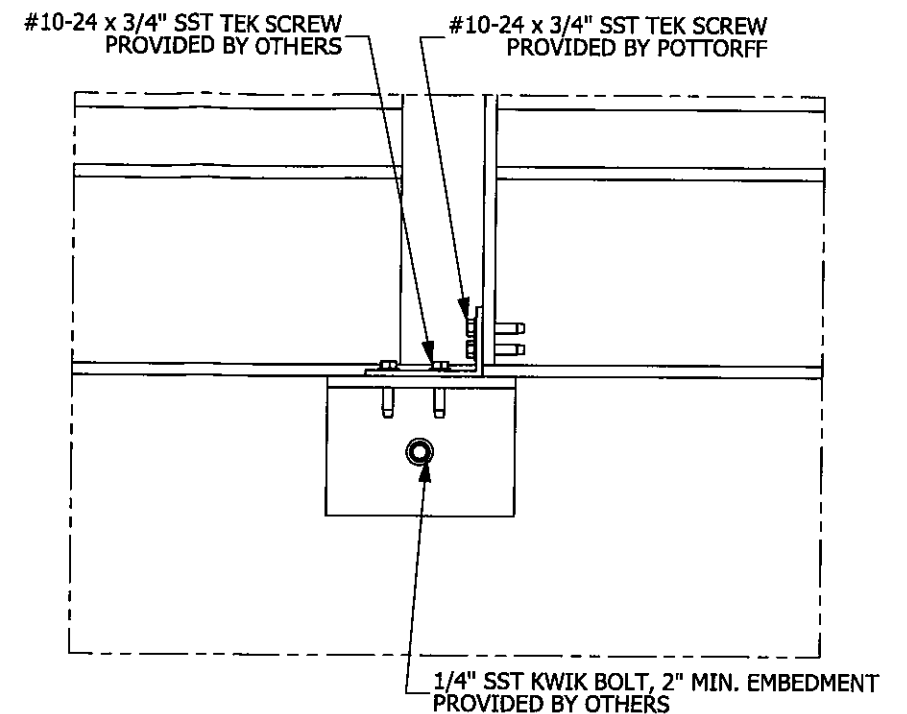
Tom LOUVERS Florida Building Code Louvers



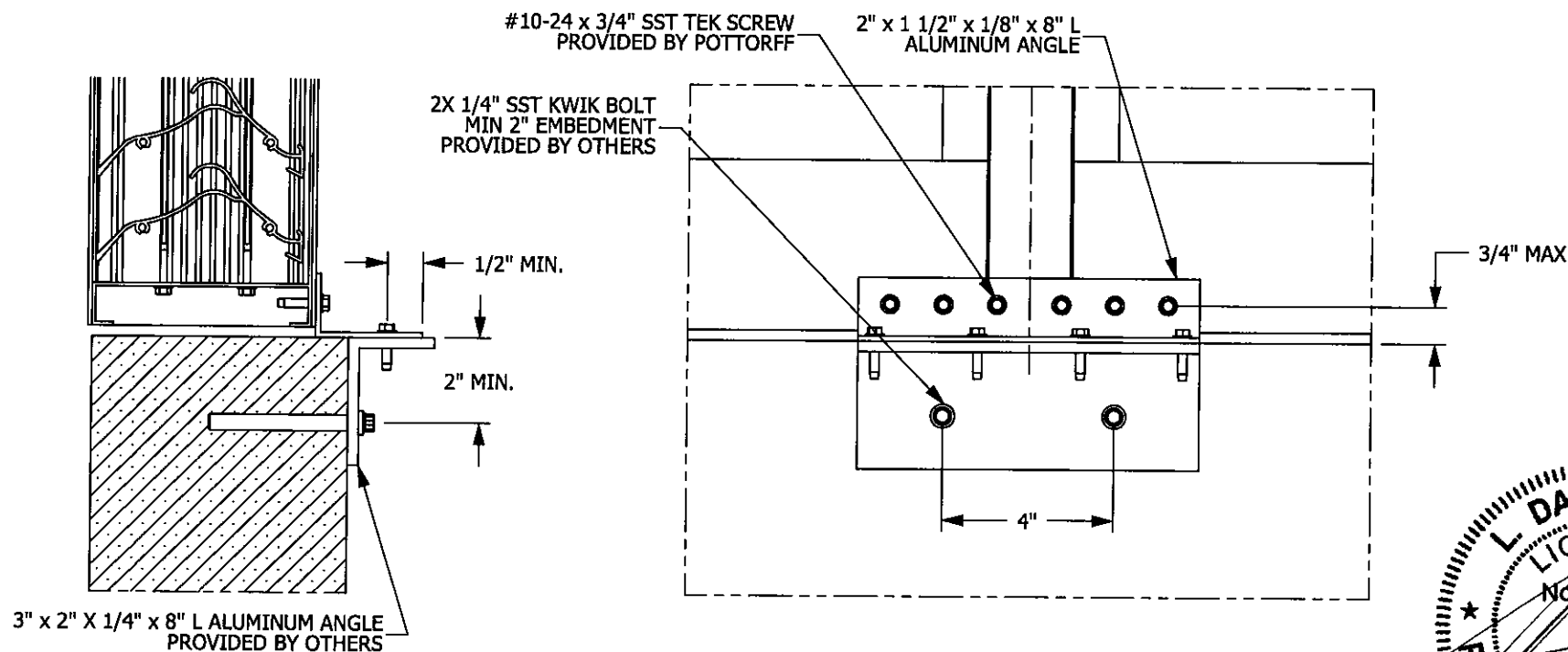
**JAMB ATTACHMENT DETAIL
MASONRY CONDITION (TENSION CONNECTION)**



**STIFFENER ATTACHMENT DETAIL
MASONRY CONDITION (TENSION CONNECTION)**



**MULLION ATTACHMENT DETAIL
MASONRY CONDITION (TENSION CONNECTION)**



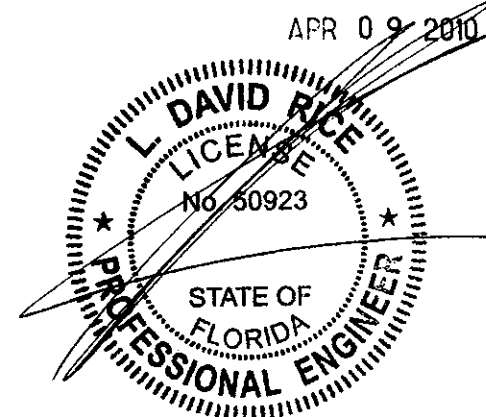
**RICE
ENGINEERING**

105 School Creek Trail
Luxemburg, WI 54217
Phone 920.845.1042
Fax 920.845.1048
www.rice-inc.com

Florida Firm No F-0100005061
Certificate of Authorization #9090
L. David Rice
Registration No. 50923

INSTALLATION NOTES:

- 1) DRAWING INCLUDES INSTALLATION DETAILS TO ATTAIN MAXIMUM DESIGN PRESSURES FOR LOUVER PER CHARTS ON DRAWING 6
- 2) IT IS ASSUMED THAT THE LOUVER SYSTEMS DO NOT SUPPORT ANY LOADS TRANSFERRED FROM THE BUILDING.
- 3) IT IS ASSUMED THAT THE BUILDING CONDITIONS ARE ADEQUATELY DESIGNED TO SUPPORT LOADS IMPARTED BY THE LOUVER SYSTEM.
- 4) INSTALLER TO PROVIDE GASKET MATERIAL BETWEEN DISSIMILAR MATERIALS IN ORDER TO PROTECT FROM CORROSION.
- 5) CRITICAL EQUIPMENT TO BE PROTECTED FROM MOISTURE INGRESS.
- 6) OTHER BUILDING CONDITIONS THAN THOSE DENOTED CAN BE UTILIZED IF ANALYZED AND APPROVED BY A PROFESSIONAL ENGINEER.
- 7) MULTI-SECTION WIDE AND HIGH LOUVER SYSTEMS ARE ALLOWABLE PROVIDED THE INDIVIDUAL SECTIONS ARE SUPPORTED PER THE DETAIL ON THIS DRAWING AND A SUITABLE STRUCTURE IS ANALYZED AND APPROVED BY A PROFESSIONAL ENGINEER.
- 8) ALL CONCRETE SUBSTRATE SHALL BE BE 2000 PSI OR STRONGER.



Tom\LOUVERS\Florida Building Code Louvers\

Cadsvr\tr

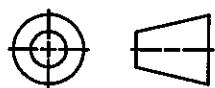
UNLESS OTHERWISE SPECIFIED DIMENSION ARE IN INCHES.

TOLERANCE UNLESS NOTED:
X.X ±0.030
X.XX ±0.015
X.XXX ±0.010
ANGLE ±1°
FRACTION ±1/16

MAX HOLE BREAKOUT:
15% OF MATERIAL THICKNESS

5101 Blue Mound Road
Fort Worth, Texas 76106
Phone: 817-509-2300
Fax: 817-831-3110

THIRD ANGLE PROJECTION



ALL-LITE

ARCHITECTURAL PRODUCTS

THIS DRAWING AND THE DESIGN REPRESENTED ARE THE CONFIDENTIAL AND PROPRIETARY PROPERTY OF PCI INDUSTRIES AND MAY NOT BE DISCLOSED, LOANED, COPIED, OR USED FOR ANY PURPOSE OTHER THAN DESIGN REVIEW AND APPROVAL WITHOUT THE EXPRESS WRITTEN CONSENT OF PCI INDUSTRIES.

DRAWING DESCR: MASONRY ATTACHMENT DETAILS

PROJECT: FLORIDA BUILDING CODE LOUVERS

LOCATION:

CUSTOMER:

PROJ. MGR:

DATE: 11/24/2009

SHEET: 4 of 6

CHK'D BY:

SCALE: NTS

DRAWN BY: TB

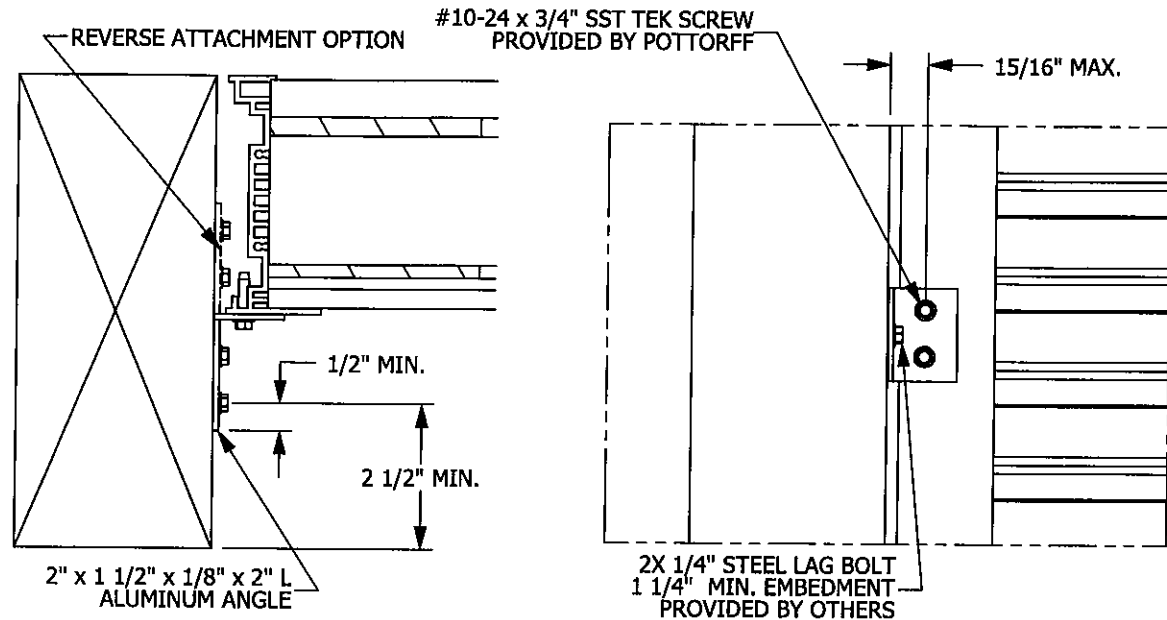
ORDER NUMBER

P.O. NUMBER

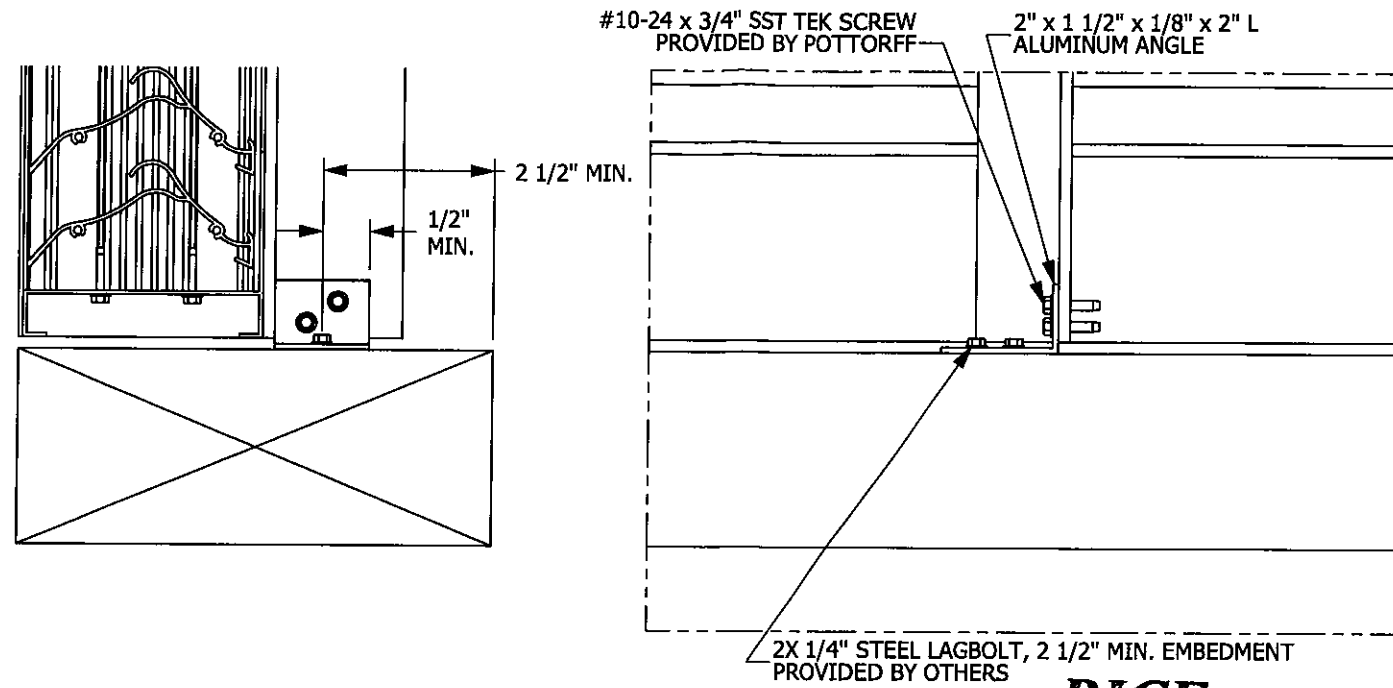
DRAWING NUMBER
MASONRY COND.
(TENSION)

Tom\LOUVERS\Florida Building Code Louvers

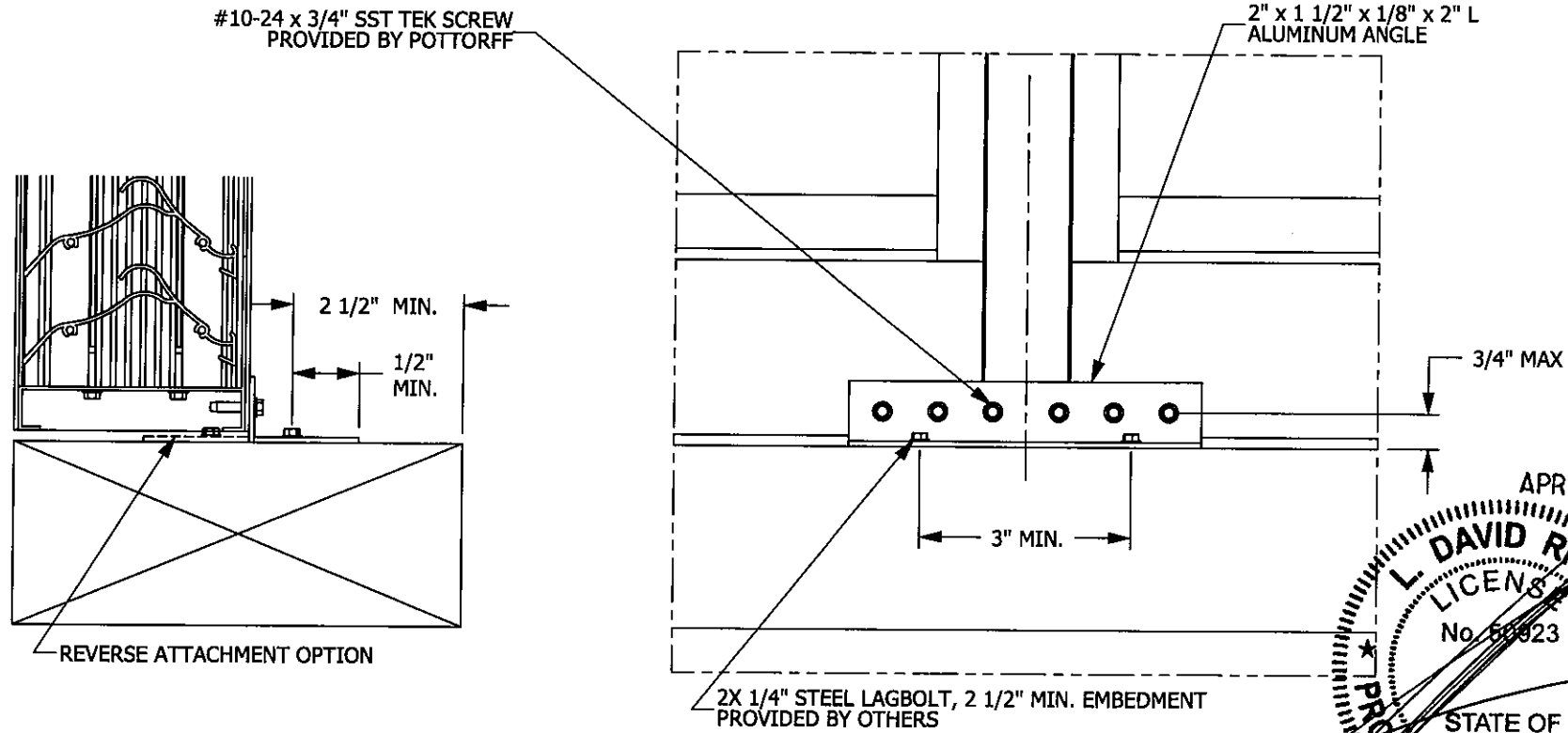
Cadsvr\tr



**JAMB ATTACHMENT DETAIL
WOOD BLOCK CONDITION**



**STIFFENER ATTACHMENT DETAIL
WOOD BLOCK CONDITION**



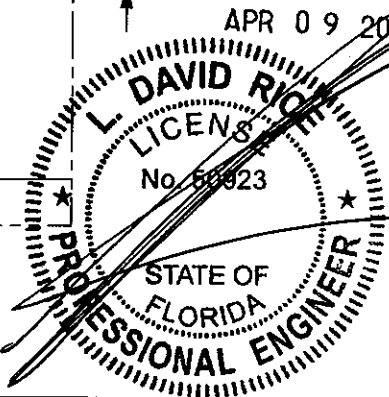
**MULLION ATTACHMENT DETAIL
WOOD BLOCK CONDITION**

**RICE
ENGINEERING**

105 School Creek Trail
Luxemburg, WI 54217
Phone: 920.845.1042
Fax: 920.845.1048
www.rice-inc.com

Florida Firm No. F-01000005061
Certificate of Authorization: #9000
L. David Rice
Registration No: 50923

- INSTALLATION NOTES:**
- 1) DRAWING INCLUDES INSTALLATION DETAILS TO ATTAIN MAXIMUM DESIGN PRESSURES FOR LOUVER PER CHARTS ON DRAWING 6
 - 2) IT IS ASSUMED THAT THE LOUVER SYSTEMS DO NOT SUPPORT ANY LOADS TRANSFERRED FROM THE BUILDING.
 - 3) IT IS ASSUMED THAT THE BUILDING CONDITIONS ARE ADEQUATELY DESIGNED TO SUPPORT LOADS IMPARTED BY THE LOUVER SYSTEM.
 - 4) INSTALLER TO PROVIDE GASKET MATERIAL BETWEEN DISSIMILAR MATERIALS IN ORDER TO PROTECT FROM CORROSION.
 - 5) CRITICAL EQUIPMENT TO BE PROTECTED FROM MOISTURE INGRESS.
 - 6) OTHER BUILDING CONDITIONS THAN THOSE DENOTED CAN BE UTILIZED IF ANALYZED AND APPROVED BY A PROFESSIONAL ENGINEER.
 - 7) MULTI-SECTION WIDE AND HIGH LOUVER SYSTEMS ARE ALLOWABLE PROVIDED THE INDIVIDUAL SECTIONS ARE SUPPORTED PER THE DETAIL ON THIS DRAWING AND A SUITABLE STRUCTURE IS ANALYZED AND APPROVED BY A PROFESSIONAL ENGINEER.
 - 8) ALL WOOD SUBSTRATE SHALL BE G=0.42 DENSITY OR BETTER.



UNLESS OTHERWISE SPECIFIED
DIMENSION ARE IN INCHES.

TOLERANCE UNLESS NOTED:
X.X ±0.030
X.XX ±0.015
X.XXX ±0.010
ANGLE ±1°
FRACTION ±1/16

MAX HOLE BREAKOUT:
15% OF MATERIAL THICKNESS

5101 Blue Mound Road
Fort Worth, Texas 76106
Phone: 817-509-2300
Fax: 817-831-3110

THIRD ANGLE PROJECTION

**ALL-LITE
ARCHITECTURAL PRODUCTS**

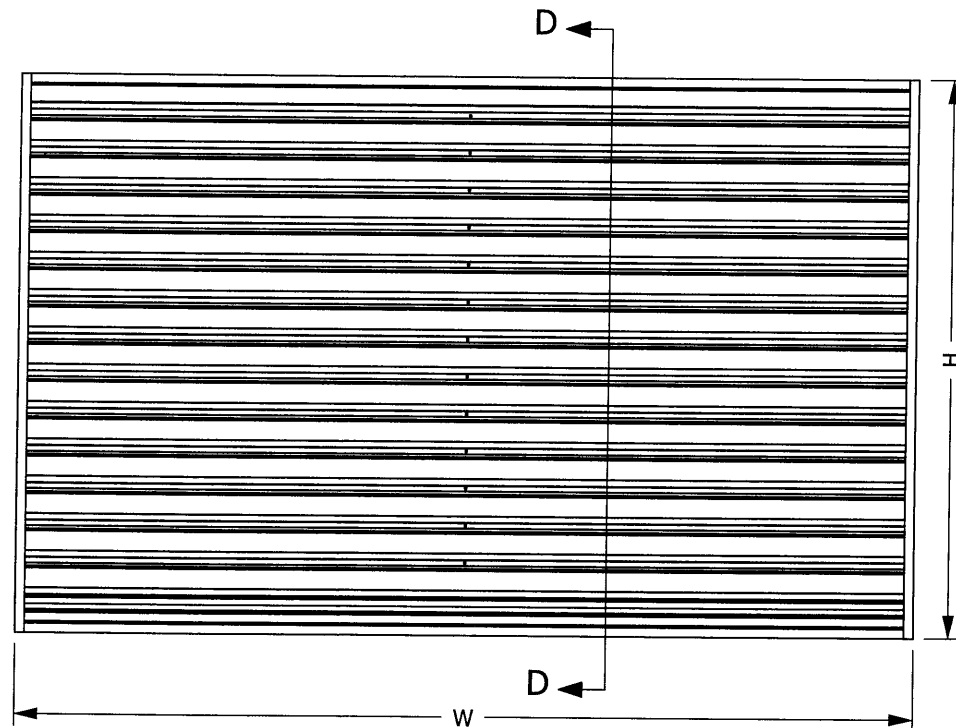
THIS DRAWING AND THE DESIGN REPRESENTED ARE THE CONFIDENTIAL AND PROPRIETARY PROPERTY OF PCI INDUSTRIES AND MAY NOT BE DISCLOSED, LOANED, COPIED, OR USED FOR ANY PURPOSE OTHER THAN DESIGN REVIEW AND APPROVAL WITHOUT THE EXPRESS WRITTEN CONSENT OF PCI INDUSTRIES.

DRAWING DESCR: WOOD ATTACHMENT DETAILS			
PROJECT: FLORIDA BUILDING CODE LOUVERS			
LOCATION:			
CUSTOMER:			
PROJ. MGR:	DRAWN BY: TB		
DATE: 11/24/2009	CHK'D BY:	ORDER NUMBER	P.O. NUMBER
SHEET: 5 of 6	SCALE: NTS		DRAWING NUMBER
			WOOD CONDITION

Louver Tributary Height (in.)	EFJ- 437 LOUVER MODEL - Single Section Width Assemblies - Maximum Allowable Design Pressure - (PSF)																						
	Louver Width (in.)																						
	12"	18"	24"	30"	36"	42"	48"	54"	60"	66"	72"	78"	84"	90"	96"	102"	108"	114"	120"				
12"	187	125	93	75	62	53	41	29	21	68	62	57	53	50	47	44	42	39	37				
18"	187	125	93	75	62	53	41	29	21	68	62	57	53	50	47	44	42	39	37				
24"	187	125	93	75	62	53	41	29	21	68	62	57	53	50	47	44	42	39	37				
30"	187	125	93	75	62	53	41	29	21	61	56	52	48	45	42	40	37	35	34				
36"	187	125	93	75	62	53	41	29	21	42	39	36	33	50	47	44	42	39	37				
42"	187	125	93	75	62	53	41	29	21	54	50	46	43	40	37	35	33	32	37				
48"	187	125	93	75	62	53	41	29	21	42	38	35	33	31	47	44	42	39	37				
54"	187	125	93	75	62	53	41	29	21	33	57	53	49	46	43	40	38	36	37				
60"	187	125	93	75	62	53	41	29	21	50	46	43	40	37	35	33	34	33	37				
66"	187	125	93	75	62	53	41	29	21	SIZES IN SHADED CELL GET ANGLE STIFFENER													
72"	187	125	93	75	62	53	41	29	21														
78"	187	125	93	75	62	53	41	29	21														
84"	187	125	93	75	62	53	41	29	21														
90"	187	125	93	75	62	53	41	29	21														
96"	187	125	93	75	62	53	41	29	21														
102"	187	125	93	75	62	53	41	29	21														
108"	187	125	93	75	62	53	41	29	21														
114"	187	125	93	75	62	53	41	29	21														
120"	187	125	93	75	62	53	41	29	21														

Louver Tributary Height (in.)	EFJ - 437 LOUVER MODEL - Multiple Section Width Assemblies - Maximum Allowable Design Pressure - (PSF)																						
	Louver Width (in.)																						
	12"	18"	24"	30"	36"	42"	48"	54"	60"	66"	72"	78"	84"	90"	96"	102"	108"	114"	120"				
12"	187	125	93	75	62	53	41	29	21	68	62	57	53	50	47	44	42	39	37				
18"	187	125	93	75	62	53	41	29	21	68	62	57	53	50	47	44	42	39	37				
24"	187	125	93	75	62	53	41	29	21	68	62	57	53	50	47	44	42	39	37				
30"	187	125	93	75	62	53	41	29	21	61	56	52	48	45	42	40	37	35	34				
36"	187	125	93	75	62	53	41	29	21	42	39	36	33	50	47	44	42	39	37				
42"	187	125	93	75	62	53	41	29	21	54	50	46	43	40	37	35	33	32	37				
48"	187	125	93	75	62	53	41	29	21	42	38	35	33	31	47	44	42	39	37				
54"	187	125	93	75	62	53	41	29	21	33	57	53	49	46	43	40	38	36	37				
60"	187	125	93	75	62	53	41	29	21	50	46	43	40	37	35	33	34	33	37				
66"	187	125	93	75	62	53	41	29	21	SIZES IN SHADED CELL GET ANGLE STIFFENER													
72"	187	125	93	75	62	53	41	29	21														
78"	187	125	93	75	62	53	41	29	21														
84"	187	125	93	75	62	53	41	29	21														
90"	187	125	93	75	62	53	41	29	21														
96"	187	125	93	75	62	53	41	29	21														
102"	171	114	85	68	57	49	41	29	21														
108"	152	101	76	61	51	43	38	29	21														
114"	137	91	68	55	46	39	34	29	21														
120"	123	82	62	49	41	35	31	27	21														

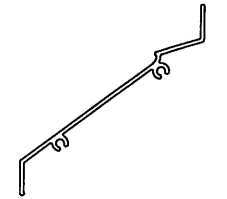
Louver Height (in.)	Stiffener Angle Dimensions (b x a x t)										
	Width (in)										
	66"	72"	78"	84"	90"	96"	102"	108"	114"	120"	
12"	2"x1.5"x1/8"										
18"											
24"											
30"											
36"	2"x2"x1/8"										
42"											
48"	2" x 2" x 1/4"										
54"											
60"	3" x 2" x 1/4"										



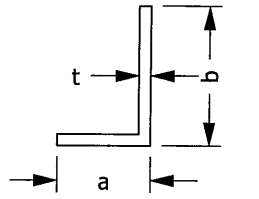
SECTION D-D



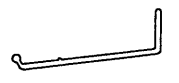
I-MULLION, EFJ-437
SCALE 1:4



BLADE, EFJ-437
SCALE 1:4



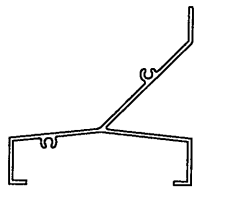
STIFFENER, EFJ-437
SCALE 1:4



BLADE BRACE, EFJ-437
SCALE 1:4



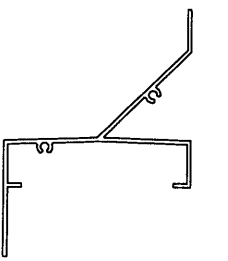
JAMB, EFJ-437
SCALE 1:4



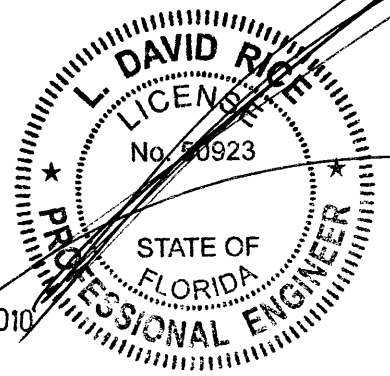
HEAD/SILL, EFJ-437
SCALE 1:4



FLANGED JAMB, EFJ-437
SCALE 1:4



FLANGED HEAD/SILL, EFJ-437
SCALE 1:4



Florida Building Code Louvers

I:\Tom\LO'

RICE
ENGINEERING
105 School Creek Trail
Luxemburg, WI 54217
Phone 920.845.1042
Fax 920.845.1048
www.rice-inc.com

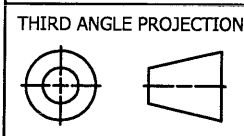
Florida Firm No: F-01000005061
Certificate of Authorization: #9090
L. David Rice
Registration No: 50923

UNLESS OTHERWISE SPECIFIED
DIMENSION ARE IN INCHES.

TOLERANCE UNLESS NOTED:
X.X ±0.030
X.XX ±0.015
X.XXX ±0.010
ANGLE ±1°
FRACTION ±1/16

MAX HOLE BREAKOUT:
15% OF MATERIAL THICKNESS

5101 Blue Mound Road
Fort Worth, Texas 76106
Phone: 817-509-2300
Fax: 817-831-3110



ALL-LITE
ARCHITECTURAL PRODUCTS

THIS DRAWING AND THE DESIGN REPRESENTED ARE THE CONFIDENTIAL AND PROPRIETARY PROPERTY OF PCI INDUSTRIES AND MAY NOT BE DISCLOSED, LOANED, COPIED, OR USED FOR ANY PURPOSE OTHER THAN DESIGN REVIEW AND APPROVAL WITHOUT THE EXPRESS WRITTEN CONSENT OF PCI INDUSTRIES.

DRAWING DESCR: EFJ-437, ELEVATION & DETAILS			
PROJECT: FLORIDA BUILDING CODE LOUVERS			
LOCATION:			
CUSTOMER:			
PROJ. MGR:	DRAWN BY: TB		
DATE: 11/24/2009	CHK'D BY:	ORDER NUMBER	P.O. NUMBER
SHEET: 6 of 6	SCALE: 1:20	DRAWING NUMBER	
			EFJ-437