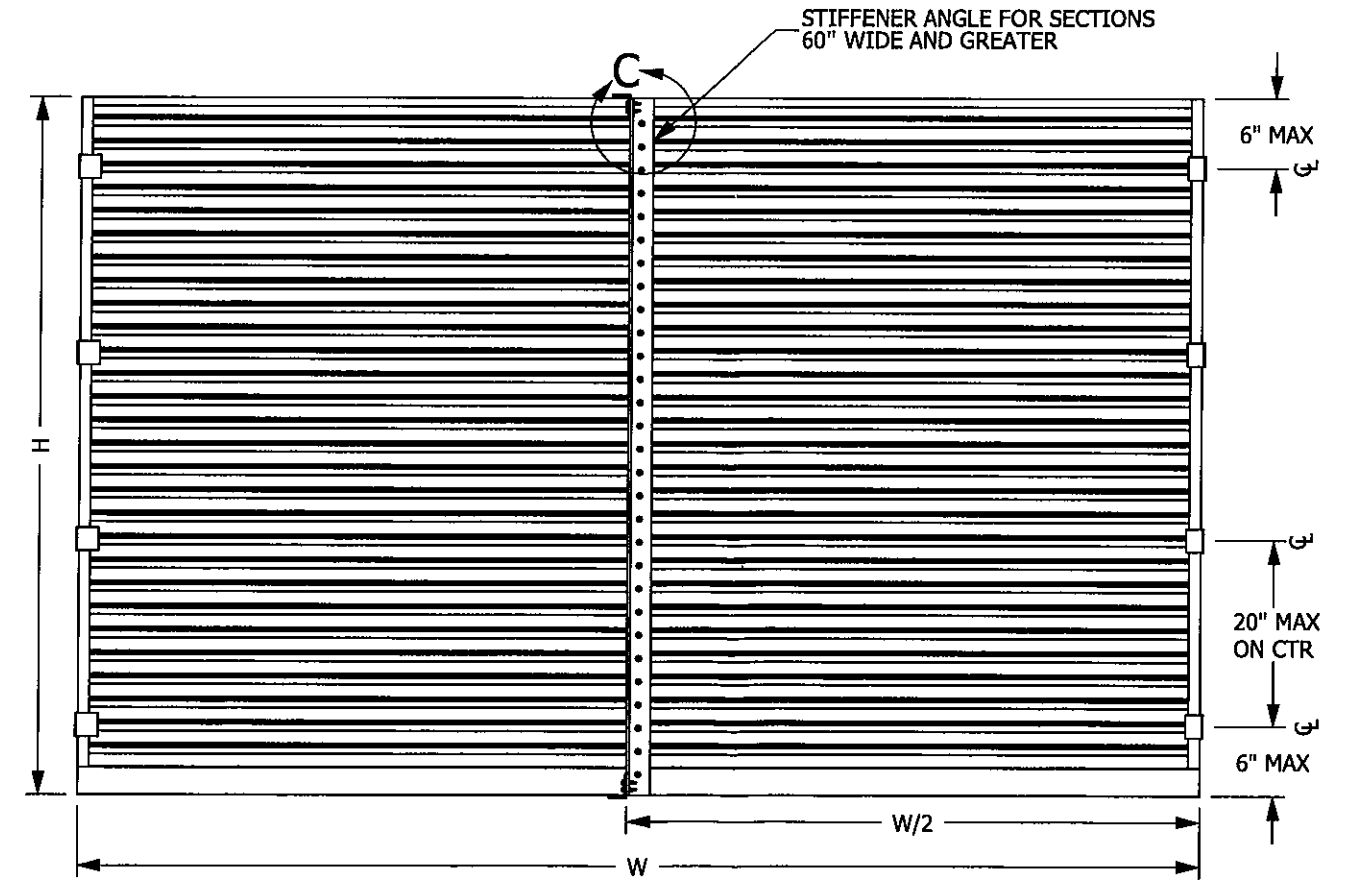
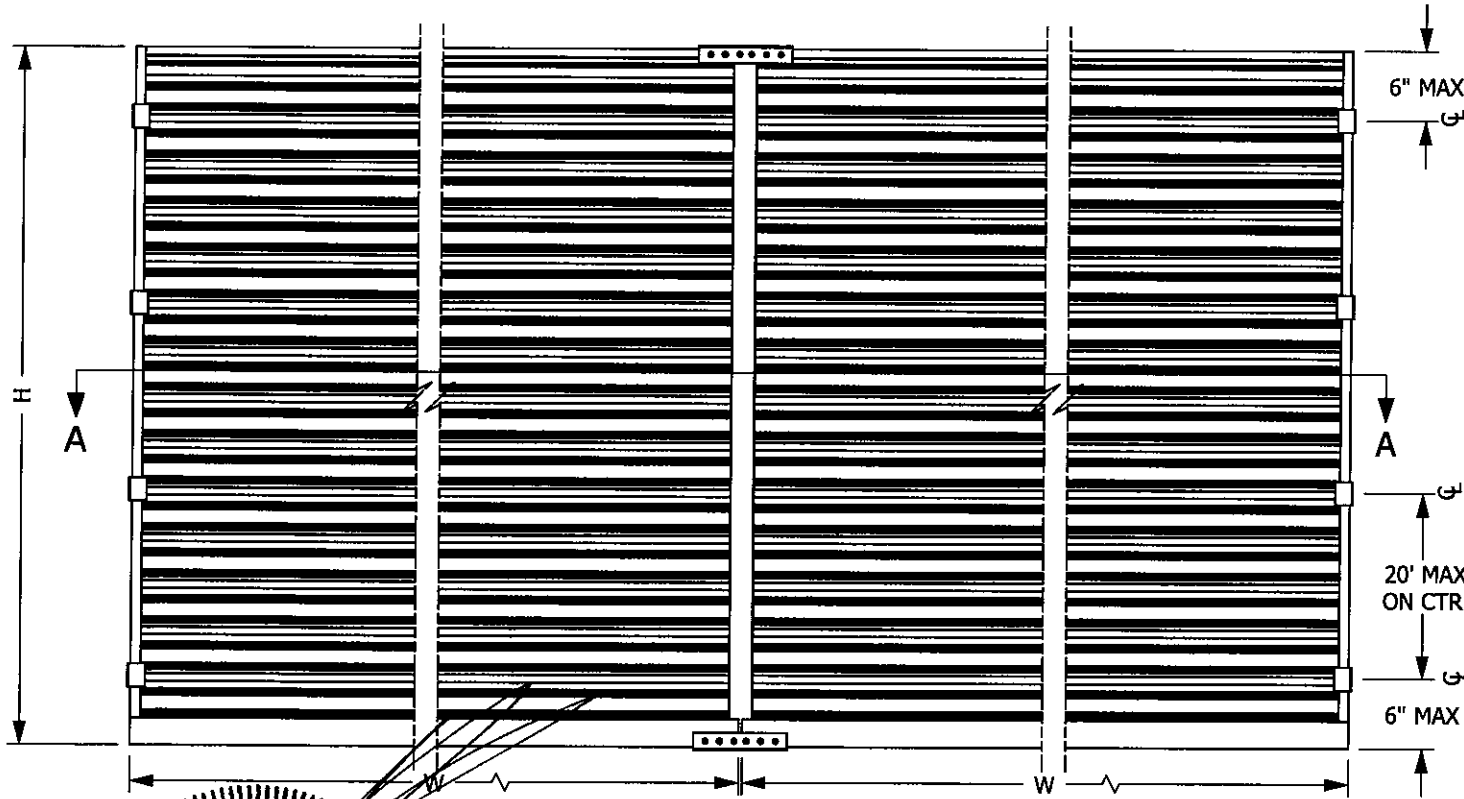
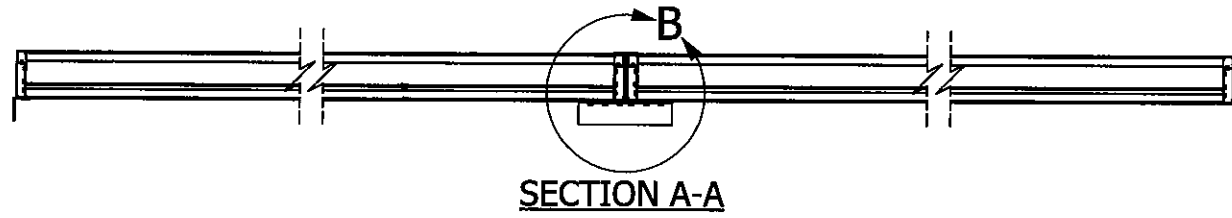
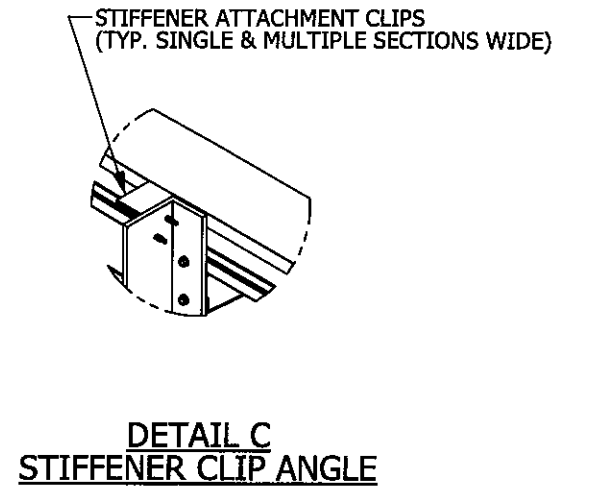
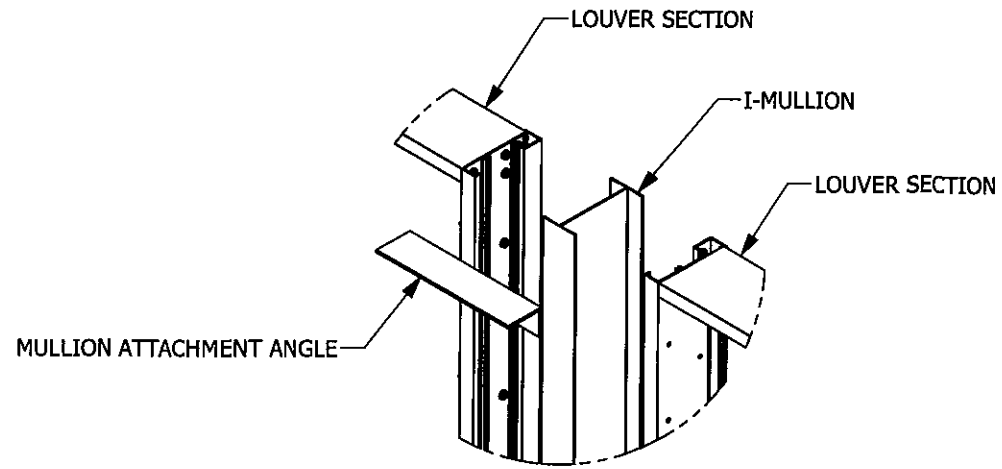
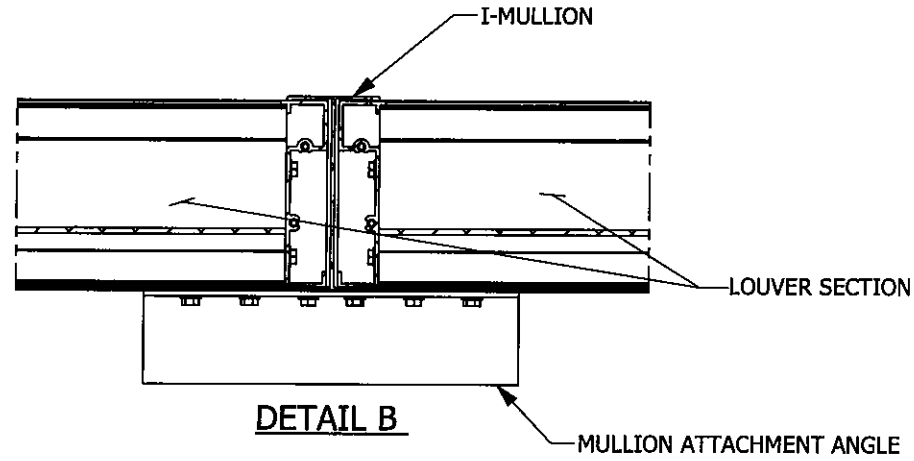


**RICE**  
**ENGINEERING**

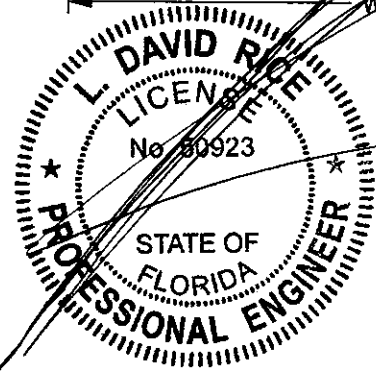
105 School Creek Trail  
Luxemburg, WI 54217  
Phone: 920.845.1042  
Fax: 920.845.1048  
www.rice-inc.com

Florida Firm No: F-01000005061  
Certificate of Authorization: #9090  
L. David Rice  
Registration No: 50923



**MULTIPLE SECTION WIDE  
INTERIOR ELEVATION  
CLIP PLACEMENT**

**SINGLE SECTION WIDE, INTERIOR ELEVATION  
CLIP PLACEMENT**



APR 09 2010

UNLESS OTHERWISE SPECIFIED  
DIMENSION ARE IN INCHES.

TOLERANCE UNLESS NOTED:  
X.X ±0.030  
X.XX ±0.015  
X.XXX ±0.010  
ANGLE ±1°  
FRACTION ±1/16

MAX HOLE BREAKOUT:  
15% OF MATERIAL THICKNESS

5101 Blue Mound Road  
Fort Worth, Texas 76106  
Phone: 817-509-2300  
Fax: 817-831-3110

THIRD ANGLE PROJECTION



**ALL-LITE**  
**ARCHITECTURAL PRODUCTS**

THIS DRAWING AND THE DESIGN REPRESENTED ARE  
THE CONFIDENTIAL AND PROPRIETARY PROPERTY OF  
PCI INDUSTRIES AND MAY NOT BE DISCLOSED, LOANED,  
COPIED, OR USED FOR ANY PURPOSE OTHER THAN DESIGN  
REVIEW AND APPROVAL WITHOUT THE EXPRESS WRITTEN  
CONSENT OF PCI INDUSTRIES.

DRAWING DESCR: ATTACHMENT ELEVATION & DETAILS

PROJECT: FLORIDA BUILDING CODE LOUVERS

LOCATION:

CUSTOMER:

PROJ. MGR:

DATE: 11/24/2009

SHEET: 1 of 6

CHK'D BY:

SCALE: NTS

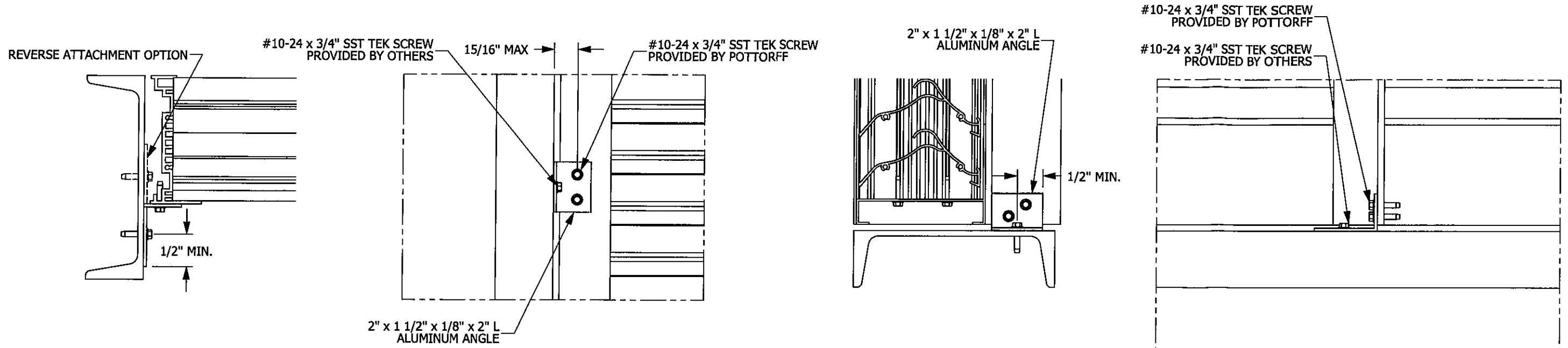
DRAWN BY: TB

ORDER NUMBER

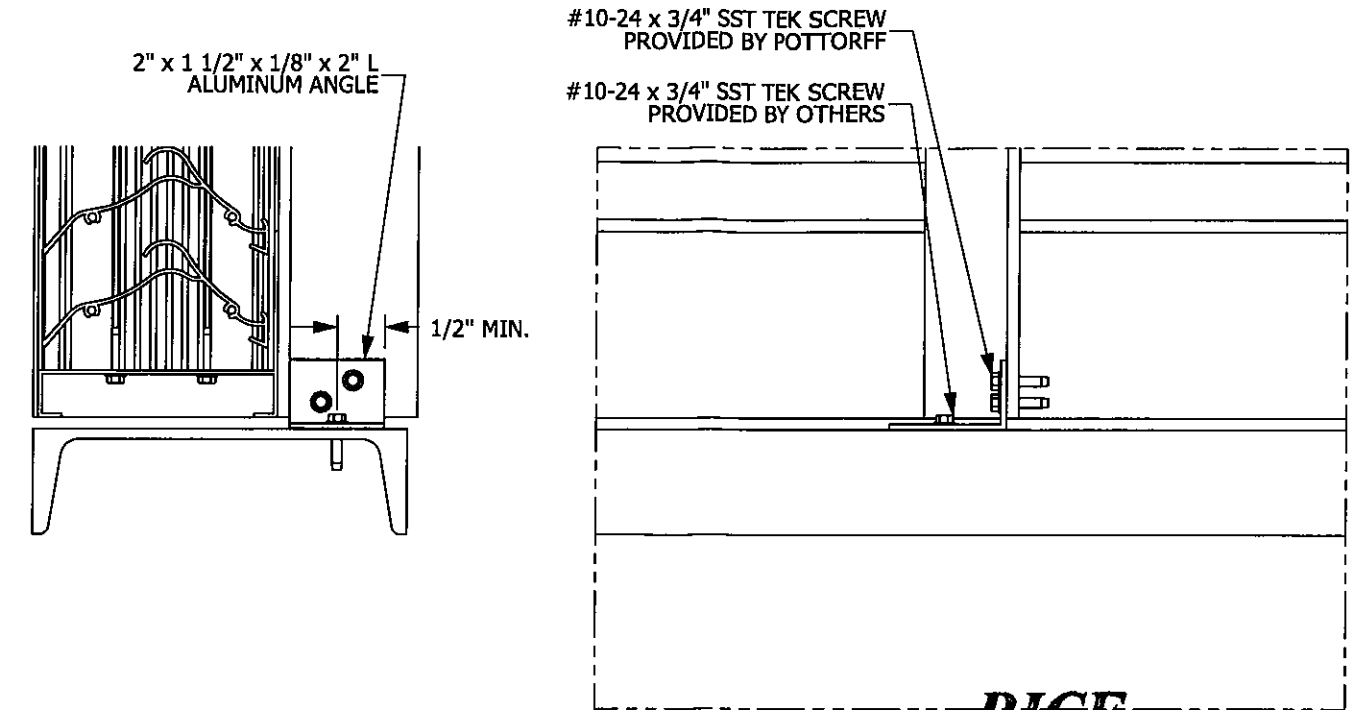
P.O. NUMBER

DRAWING NUMBER

ATTACHMENT



**JAMB ATTACHMENT DETAILS  
STEEL CONDITION**



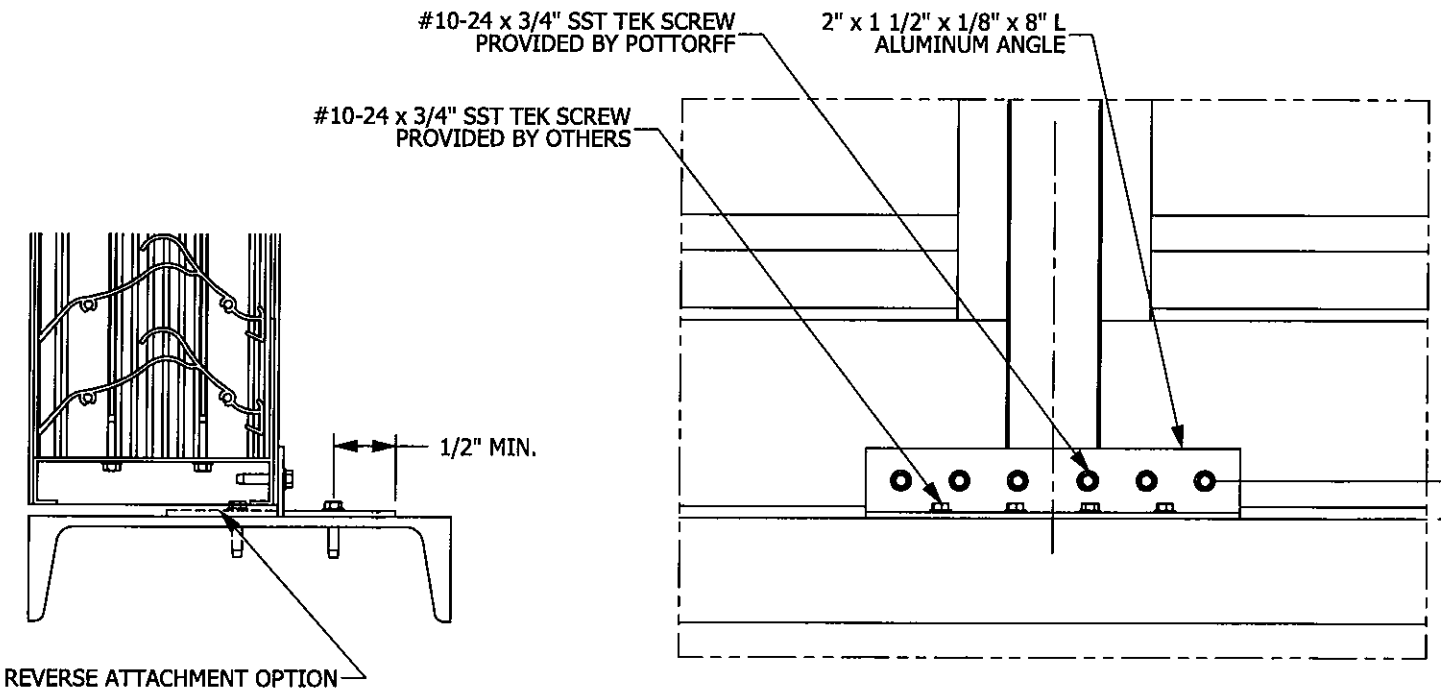
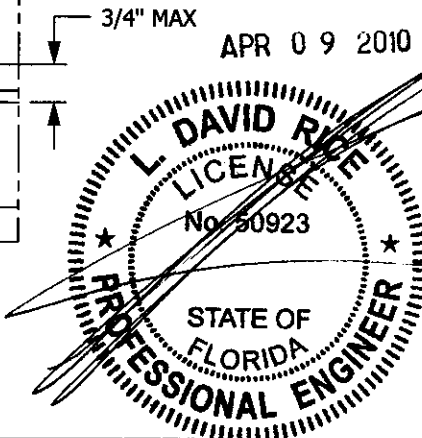
**STIFFENER ATTACHMENT DETAILS  
STEEL CONDITION**

**RICE  
ENGINEERING**

105 School Creek Trail  
Luxemburg, WI 54217  
Phone: 920.845.1042  
Fax: 920.845.1048  
www.rice-inc.com

Florida Firm No: F-01000005061  
Certificate of Authorization: #9090  
L. David Rice  
Registration No: 50923

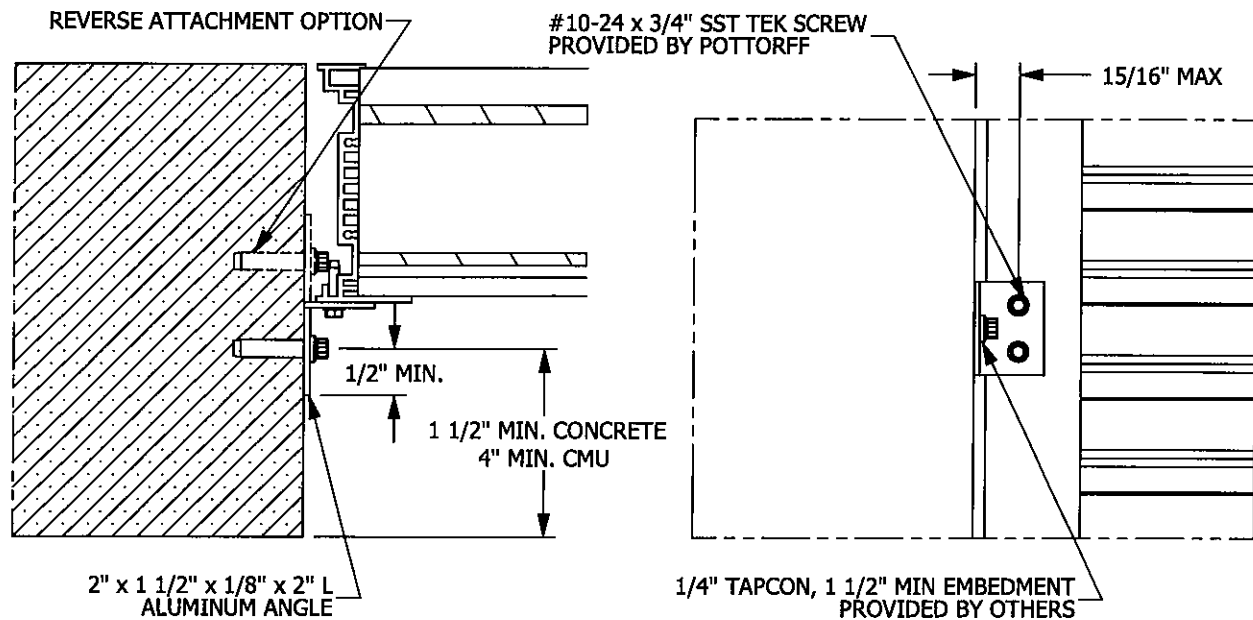
- INSTALLATION NOTES:**
- 1) DRAWING INCLUDES INSTALLATION DETAILS TO ATTAIN MAXIMUM DESIGN PRESSURES FOR LOUVER PER CHARTS ON DRAWING 6
  - 2) IT IS ASSUMED THAT THE LOUVER SYSTEMS DO NOT SUPPORT ANY LOADS TRANSFERRED FROM THE BUILDING.
  - 3) IT IS ASSUMED THAT THE BUILDING CONDITIONS ARE ADEQUATELY DESIGNED TO SUPPORT LOADS IMPARTED BY THE LOUVER SYSTEM.
  - 4) INSTALLER TO PROVIDE GASKET MATERIAL BETWEEN DISSIMILAR MATERIALS IN ORDER TO PROTECT FROM CORROSION.
  - 5) CRITICAL EQUIPMENT TO BE PROTECTED FROM MOISTURE INGRESS.
  - 6) OTHER BUILDING CONDITIONS THAN THOSE DENOTED CAN BE UTILIZED IF ANALYZED AND APPROVED BY A PROFESSIONAL ENGINEER.
  - 7) MULTI-SECTION WIDE AND HIGH LOUVER SYSTEMS ARE ALLOWABLE PROVIDED THE INDIVIDUAL SECTIONS ARE SUPPORTED PER THE DETAIL ON THIS DRAWING AND A SUITABLE STRUCTURE IS ANALYZED AND APPROVED BY A PROFESSIONAL ENGINEER.
  - 8) ALL STEEL SUBSTRATE SHALL BE 18 GA STUD EQUIVALENT OR STRONGER.



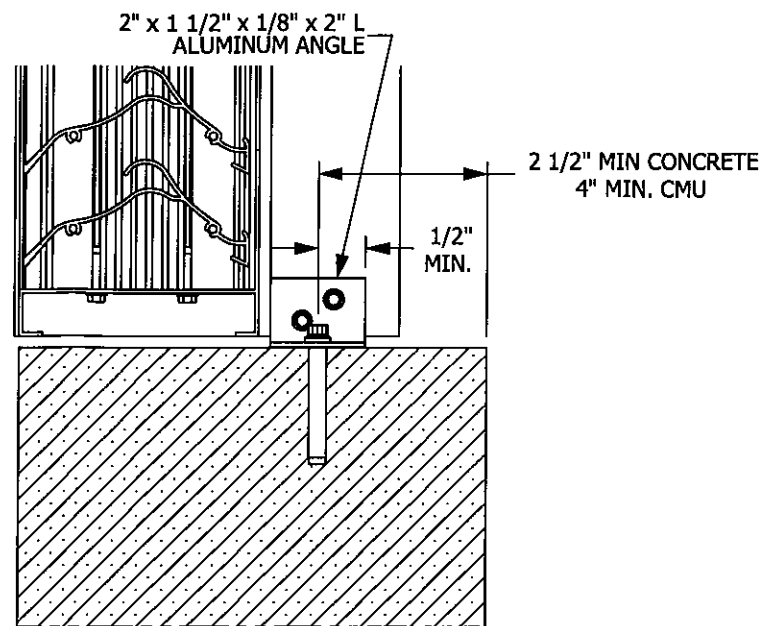
**MULLION ATTACHMENT DETAILS  
STEEL CONDITION**

UNLESS OTHERWISE SPECIFIED DIMENSION ARE IN INCHES.  TOLERANCE UNLESS NOTED: X.X ±0.030 X.XX ±0.015 X.XXX ±0.010 ANGLE ±1° FRACTION ±1/16  MAX HOLE BREAKOUT: 15% OF MATERIAL THICKNESS	5101 Blue Mound Road Fort Worth, Texas 76106 Phone: 817-509-2300 Fax: 817-831-3110	<b>ALL-LITE</b> <b>ARCHITECTURAL PRODUCTS</b> <small>THIS DRAWING AND THE DESIGN REPRESENTED ARE THE CONFIDENTIAL AND PROPRIETARY PROPERTY OF PCI INDUSTRIES AND MAY NOT BE DISCLOSED, LOANED, COPIED, OR USED FOR ANY PURPOSE OTHER THAN DESIGN REVIEW AND APPROVAL WITHOUT THE EXPRESS WRITTEN CONSENT OF PCI INDUSTRIES.</small>	DRAWING DESCR: STEEL ATTACHMENT DETAILS				
	THIRD ANGLE PROJECTION 		PROJECT: FLORIDA BUILDING CODE LOUVERS				
			LOCATION:				
			CUSTOMER:				
			PROJ. MGR:	DRAWN BY: TB			
			DATE: 11/24/2009	CHK'D BY:	ORDER NUMBER	P.O. NUMBER	DRAWING NUMBER
			SHEET: 2 of 6	SCALE: NTS			STEEL CONDITION

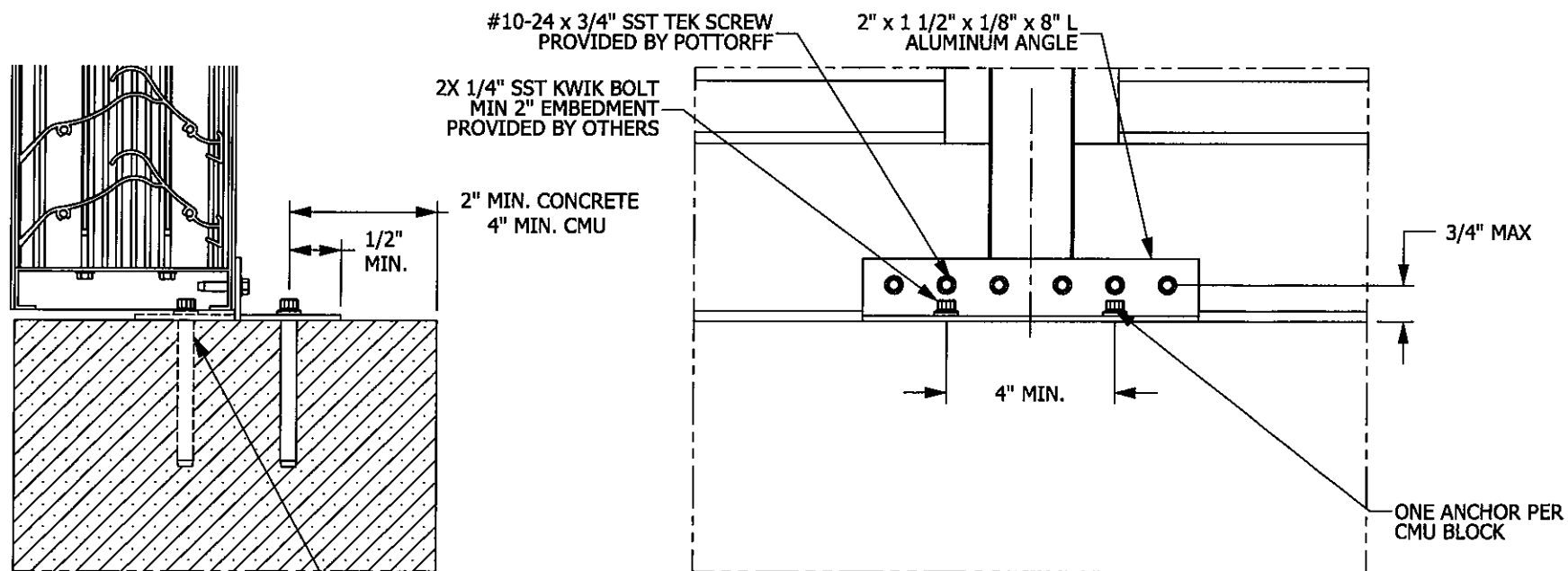
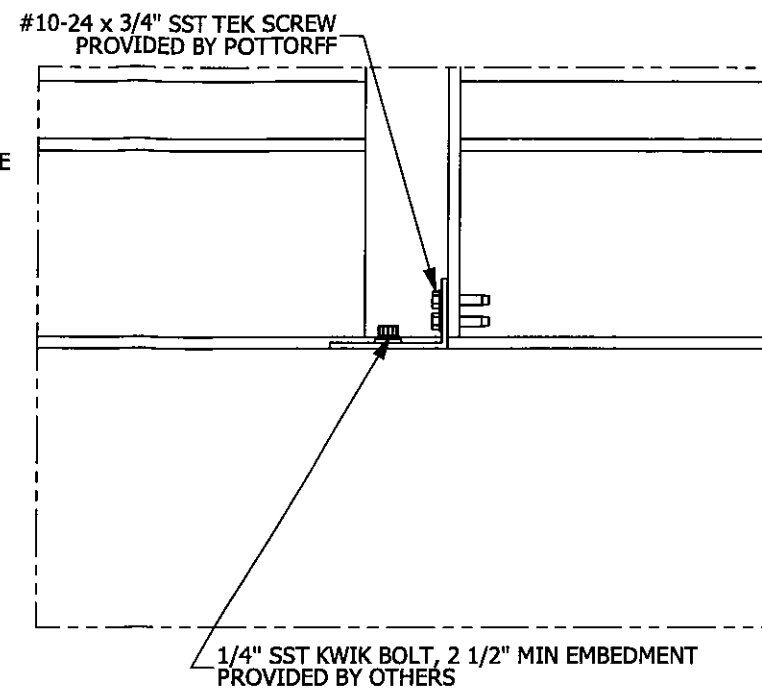
Tom\LOUVERS\Florida Building Code Louvers\l\cads\wlr



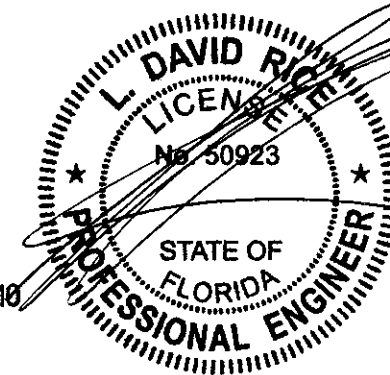
**JAMB ATTACHMENT DETAIL  
MASONRY CONDITION (SHEAR CONNECTION)**



**STIFFENER ATTACHMENT DETAIL  
MASONRY CONDITION (SHEAR CONNECTION)**



**MULLION ATTACHMENT DETAIL  
MASONRY CONDITION (SHEAR CONNECTION)**



APR 09 2010

**INSTALLATION NOTES:**

- 1) DRAWING INCLUDES INSTALLATION DETAILS TO ATTAIN MAXIMUM DESIGN PRESSURES FOR LOUVER PER CHARTS ON DRAWING 6
- 2) IT IS ASSUMED THAT THE LOUVER SYSTEMS DO NOT SUPPORT ANY LOADS TRANSFERRED FROM THE BUILDING.
- 3) IT IS ASSUMED THAT THE BUILDING CONDITIONS ARE ADEQUATELY DESIGNED TO SUPPORT LOADS IMPARTED BY THE LOUVER SYSTEM.
- 4) INSTALLER TO PROVIDE GASKET MATERIAL BETWEEN DISSIMILAR MATERIALS IN ORDER TO PROTECT FROM CORROSION.
- 5) CRITICAL EQUIPMENT TO BE PROTECTED FROM MOISTURE INGRESS.
- 6) OTHER BUILDING CONDITIONS THAN THOSE DENOTED CAN BE UTILIZED IF ANALYZED AND APPROVED BY A PROFESSIONAL ENGINEER.
- 7) MULTI-SECTION WIDE AND HIGH LOUVER SYSTEMS ARE ALLOWABLE PROVIDED THE INDIVIDUAL SECTIONS ARE SUPPORTED PER THE DETAIL ON THIS DRAWING AND A SUITABLE STRUCTURE IS ANALYZED AND APPROVED BY A PROFESSIONAL ENGINEER.
- 8) ALL CONCRETE SUBSTRATE SHALL BE 2000 PSI OR STRONGER.
- 9) ALL CMU SUBSTRATE SHALL BE ASTM C90 TYPE 2 FILLED WITH  $f_m=1500$  PSI GROUT

**RICE  
ENGINEERING**

105 School Creek Trail  
Luxemburg, WI 54217  
Phone: 920.845.1042  
Fax: 920.845.1048  
www.rice-inc.com

Florida Firm No. F-01000005061  
Certificate of Authorization: #9090  
L. David Rice  
Registration No: 50923

UNLESS OTHERWISE SPECIFIED  
DIMENSION ARE IN INCHES.

TOLERANCE UNLESS NOTED:  
X.X ±0.030  
X.XX ±0.015  
X.XXX ±0.010  
ANGLE ±1°  
FRACTION ±1/16

MAX HOLE BREAKOUT:  
15% OF MATERIAL THICKNESS

5101 Blue Mound Road  
Fort Worth, Texas 76106  
Phone: 817-509-2300  
Fax: 817-831-3110

THIRD ANGLE PROJECTION

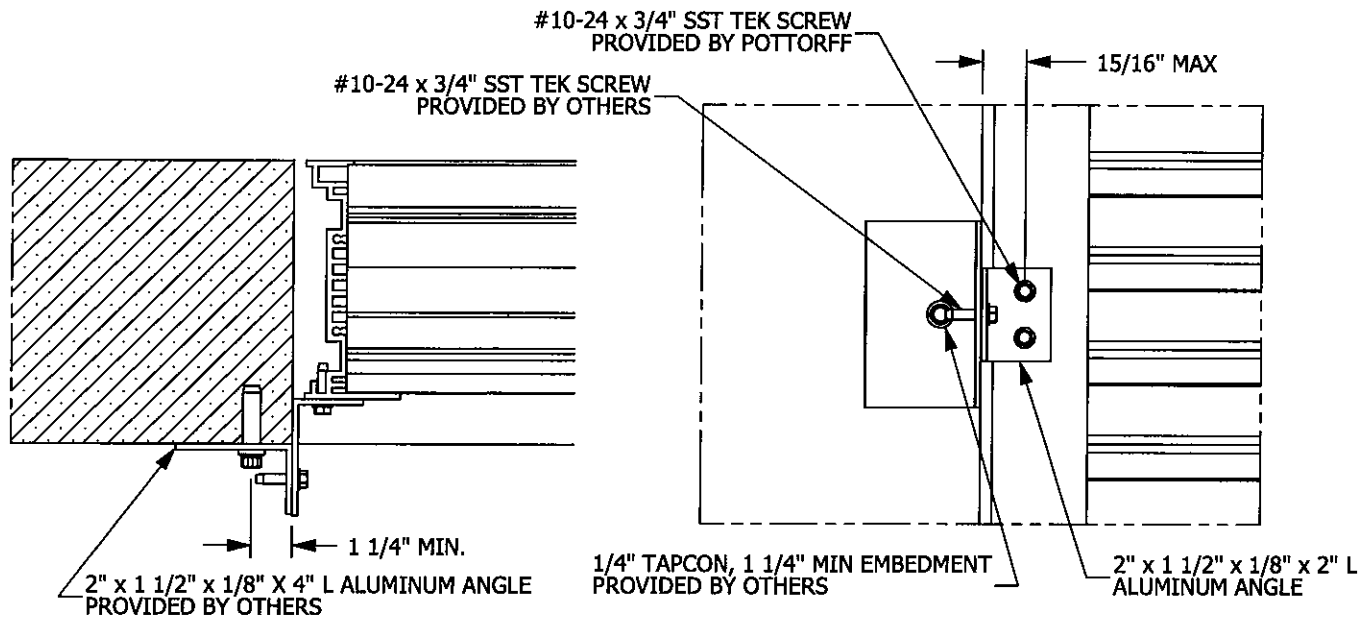


**ALL-LITE  
ARCHITECTURAL PRODUCTS**

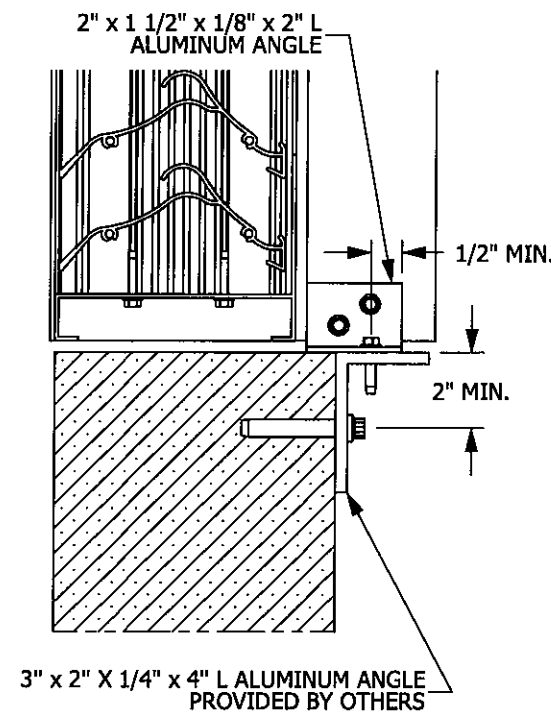
THIS DRAWING AND THE DESIGN REPRESENTED ARE THE CONFIDENTIAL AND PROPRIETARY PROPERTY OF PCI INDUSTRIES AND MAY NOT BE DISCLOSED, LOANED, COPIED, OR USED FOR ANY PURPOSE OTHER THAN DESIGN REVIEW AND APPROVAL WITHOUT THE EXPRESS WRITTEN CONSENT OF PCI INDUSTRIES.

DRAWING DESCR: MASONRY ATTACHMENT DETAILS			
PROJECT: FLORIDA BUILDING CODE LOUVERS			
LOCATION:			
CUSTOMER:			
PROJ. MGR:	DRAWN BY: TB		
DATE: 11/24/2009	CHK'D BY:	ORDER NUMBER	P.O. NUMBER
SHEET: 3 of 6	SCALE: NTS	DRAWING NUMBER MASONRY COND. (SHEAR)	

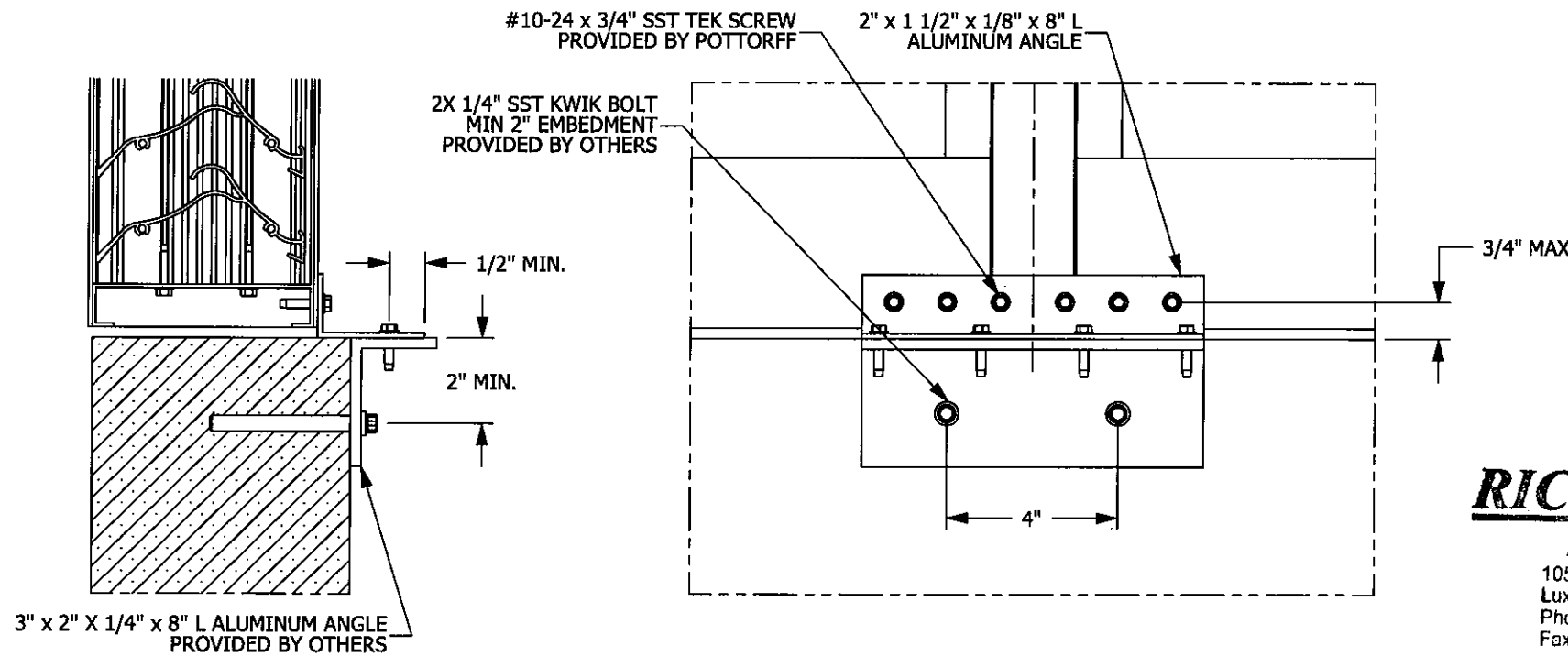
Tom LOUVERS Florida Building Code Louvers



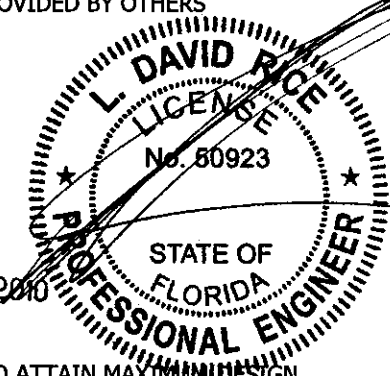
**JAMB ATTACHMENT DETAIL  
MASONRY CONDITION (TENSION CONNECTION)**



**STIFFENER ATTACHMENT DETAIL  
MASONRY CONDITION (TENSION CONNECTION)**



**MULLION ATTACHMENT DETAIL  
MASONRY CONDITION (TENSION CONNECTION)**



APR 09 2010

- INSTALLATION NOTES:**
- 1) DRAWING INCLUDES INSTALLATION DETAILS TO ATTAIN MAXIMUM DESIGN PRESSURES FOR LOUVER PER CHARTS ON DRAWING 6
  - 2) IT IS ASSUMED THAT THE LOUVER SYSTEMS DO NOT SUPPORT ANY LOADS TRANSFERRED FROM THE BUILDING.
  - 3) IT IS ASSUMED THAT THE BUILDING CONDITIONS ARE ADEQUATELY DESIGNED TO SUPPORT LOADS IMPARTED BY THE LOUVER SYSTEM.
  - 4) INSTALLER TO PROVIDE GASKET MATERIAL BETWEEN DISSIMILAR MATERIALS IN ORDER TO PROTECT FROM CORROSION.
  - 5) CRITICAL EQUIPMENT TO BE PROTECTED FROM MOISTURE INGRESS.
  - 6) OTHER BUILDING CONDITIONS THAN THOSE DENOTED CAN BE UTILIZED IF ANALYZED AND APPROVED BY A PROFESSIONAL ENGINEER.
  - 7) MULTI-SECTION WIDE AND HIGH LOUVER SYSTEMS ARE ALLOWABLE PROVIDED THE INDIVIDUAL SECTIONS ARE SUPPORTED PER THE DETAIL ON THIS DRAWING AND A SUITABLE STRUCTURE IS ANALYZED AND APPROVED BY A PROFESSIONAL ENGINEER.
  - 8) ALL CONCRETE SUBSTRATE SHALL BE BE 2000 PSI OR STRONGER.

**RICE**  
**ENGINEERING**  
105 School Creek Trail  
Luxemburg, WI 54217  
Phone 920.845.1042  
Fax: 920.845.1048  
www.rice-inc.com

Florida Firm No: F-01000005061  
Certificate of Authorization: #9000  
L. David Rice  
Registration No: 50923

UNLESS OTHERWISE SPECIFIED DIMENSION ARE IN INCHES.

TOLERANCE UNLESS NOTED:

X.X	±0.030
X.XX	±0.015
X.XXX	±0.010
ANGLE	±1°
FRACTION	±1/16

MAX HOLE BREAKOUT:  
15% OF MATERIAL THICKNESS

5101 Blue Mound Road  
Fort Worth, Texas 76106  
Phone: 817-509-2300  
Fax: 817-831-3110

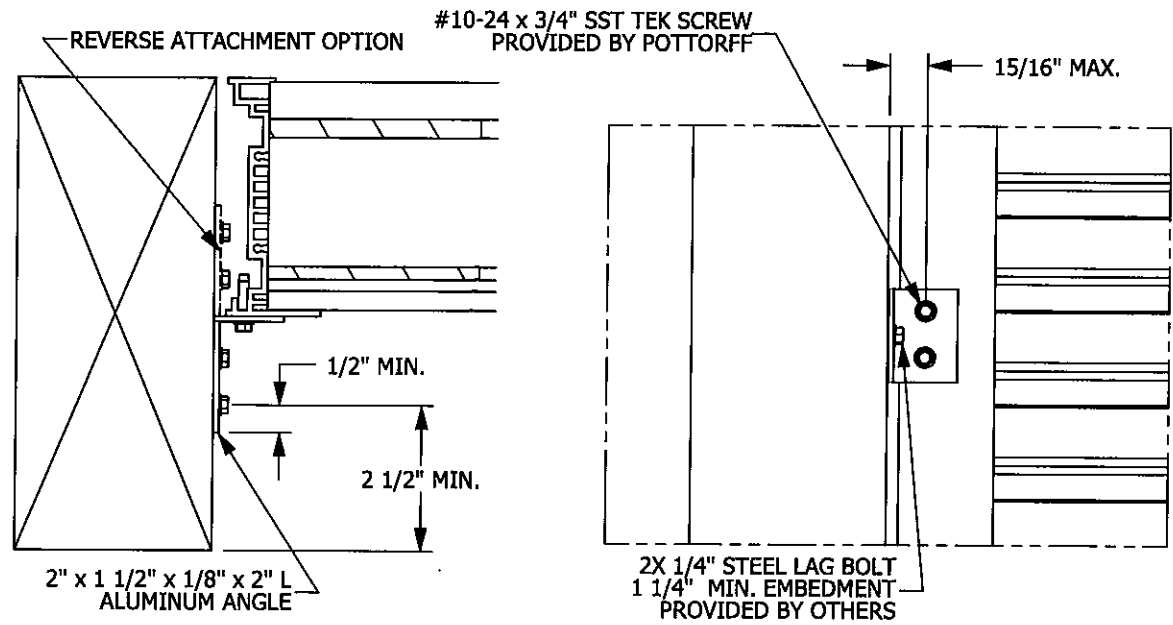
THIRD ANGLE PROJECTION



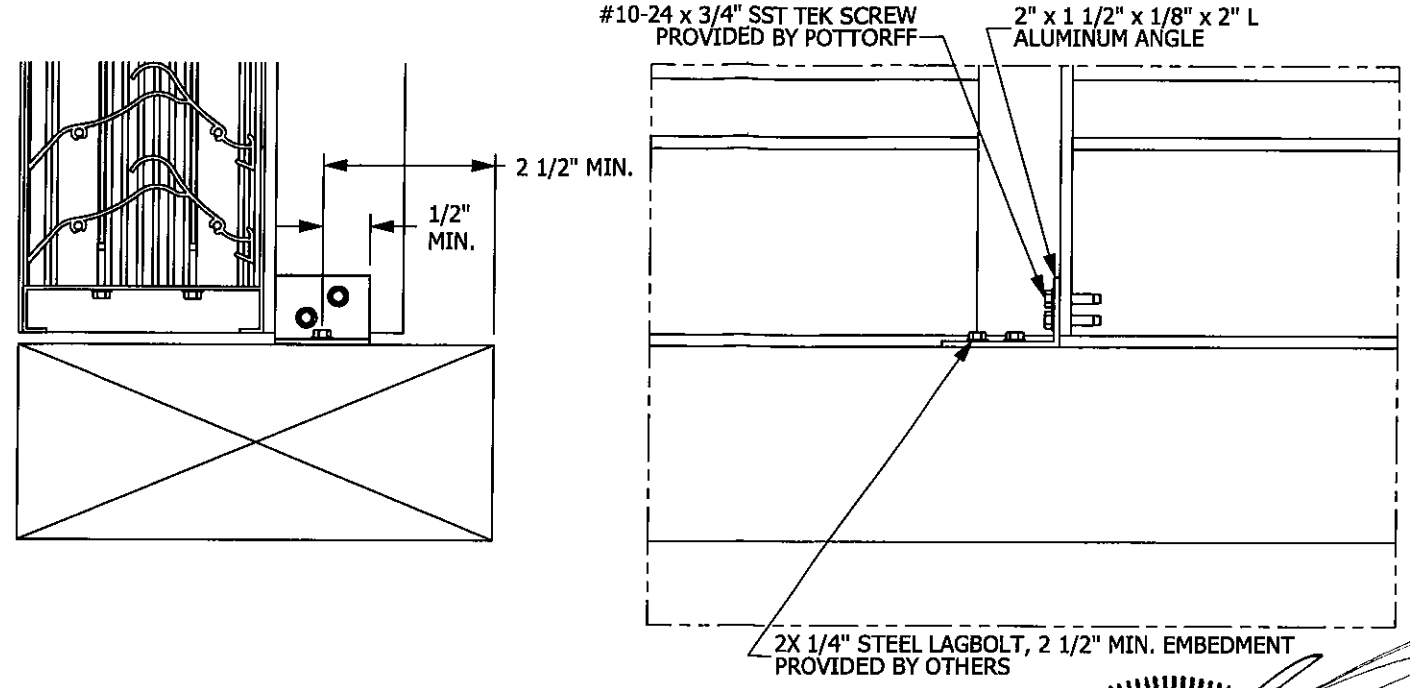
**ALL-LITE**  
**ARCHITECTURAL PRODUCTS**  
THIS DRAWING AND THE DESIGN REPRESENTED ARE THE CONFIDENTIAL AND PROPRIETARY PROPERTY OF PCI INDUSTRIES AND MAY NOT BE DISCLOSED, LOANED, COPIED, OR USED FOR ANY PURPOSE OTHER THAN DESIGN REVIEW AND APPROVAL WITHOUT THE EXPRESS WRITTEN CONSENT OF PCI INDUSTRIES.

DRAWING DESCR: MASONRY ATTACHMENT DETAILS				
PROJECT: FLORIDA BUILDING CODE LOUVERS				
LOCATION:				
CUSTOMER:				
PROJ. MGR:		DRAWN BY: TB		
DATE: 11/24/2009	CHK'D BY:	ORDER NUMBER	P.O. NUMBER	DRAWING NUMBER
SHEET: 4 of 6	SCALE: NTS			MASONRY COND. (TENSION)

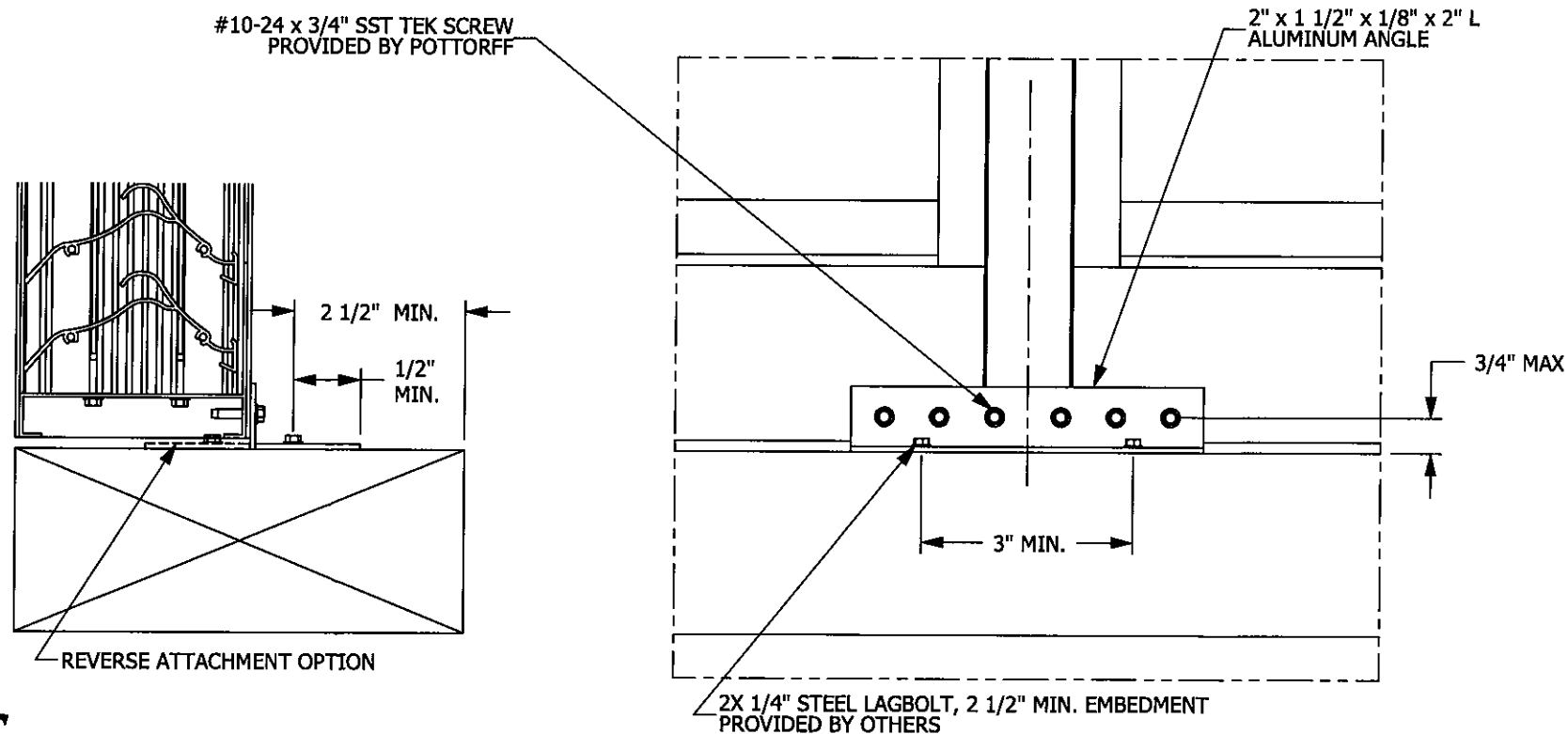
Tom LOUVERS Florida Building Code Louvers



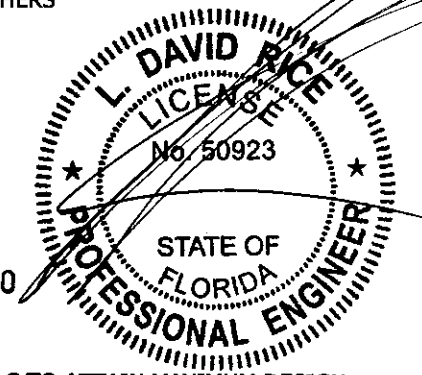
**JAMB ATTACHMENT DETAIL  
WOOD BLOCK CONDITION**



**STIFFENER ATTACHMENT DETAIL  
WOOD BLOCK CONDITION**



**MULLION ATTACHMENT DETAIL  
WOOD BLOCK CONDITION**



APR 09 2010

- INSTALLATION NOTES:**
- 1) DRAWING INCLUDES INSTALLATION DETAILS TO ATTAIN MAXIMUM DESIGN PRESSURES FOR LOUVER PER CHARTS ON DRAWING 6
  - 2) IT IS ASSUMED THAT THE LOUVER SYSTEMS DO NOT SUPPORT ANY LOADS TRANSFERRED FROM THE BUILDING.
  - 3) IT IS ASSUMED THAT THE BUILDING CONDITIONS ARE ADEQUATELY DESIGNED TO SUPPORT LOADS IMPARTED BY THE LOUVER SYSTEM.
  - 4) INSTALLER TO PROVIDE GASKET MATERIAL BETWEEN DISSIMILAR MATERIALS IN ORDER TO PROTECT FROM CORROSION.
  - 5) CRITICAL EQUIPMENT TO BE PROTECTED FROM MOISTURE INGRESS.
  - 6) OTHER BUILDING CONDITIONS THAN THOSE DENOTED CAN BE UTILIZED IF ANALYZED AND APPROVED BY A PROFESSIONAL ENGINEER.
  - 7) MULTI-SECTION WIDE AND HIGH LOUVER SYSTEMS ARE ALLOWABLE PROVIDED THE INDIVIDUAL SECTIONS ARE SUPPORTED PER THE DETAIL ON THIS DRAWING AND A SUITABLE STRUCTURE IS ANALYZED AND APPROVED BY A PROFESSIONAL ENGINEER.
  - 8) ALL WOOD SUBSTRATE SHALL BE G=0.42 DENSITY OR BETTER.

**RICE  
ENGINEERING**

105 School Creek Trail  
Luxemburg, WI 54217  
Phone: 920.845.1042  
Fax: 920.845.1048  
www.rice-inc.com

Florida Firm No: F-01000005061  
Certificate of Authorization: #9090  
L. David Rice  
Registration No: 50923

UNLESS OTHERWISE SPECIFIED DIMENSION ARE IN INCHES.

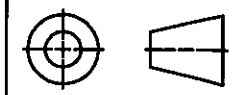
TOLERANCE UNLESS NOTED:

X.X	±0.030
X.XX	±0.015
X.XXX	±0.010
ANGLE	±1°
FRACTION	±1/16

MAX HOLE BREAKOUT:  
15% OF MATERIAL THICKNESS

5101 Blue Mound Road  
Fort Worth, Texas 76106  
Phone: 817-509-2300  
Fax: 817-831-3110

THIRD ANGLE PROJECTION



**ALL-LITE  
ARCHITECTURAL PRODUCTS**

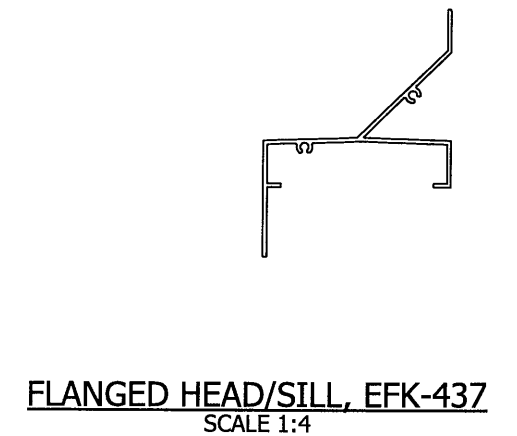
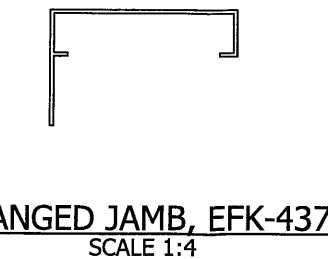
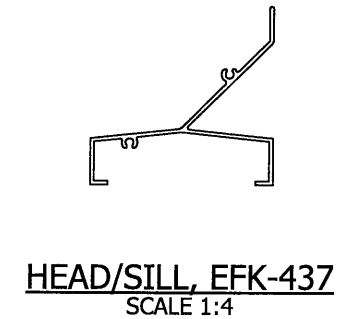
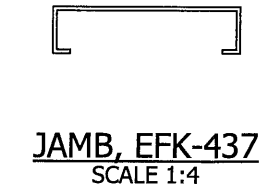
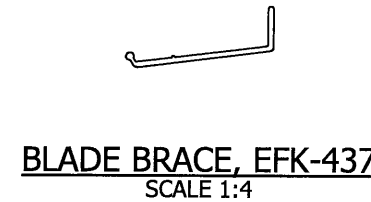
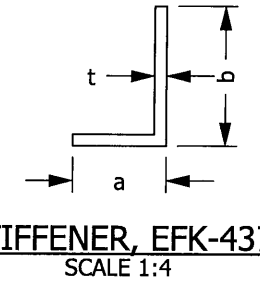
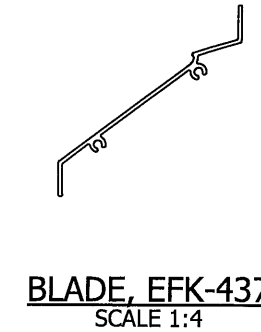
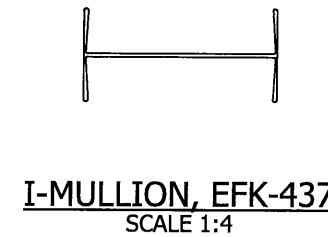
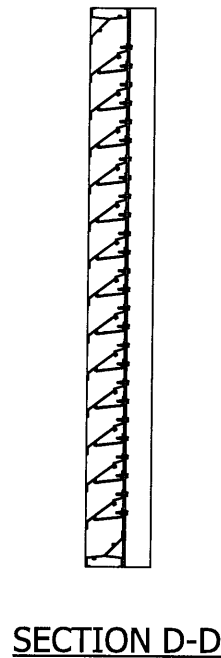
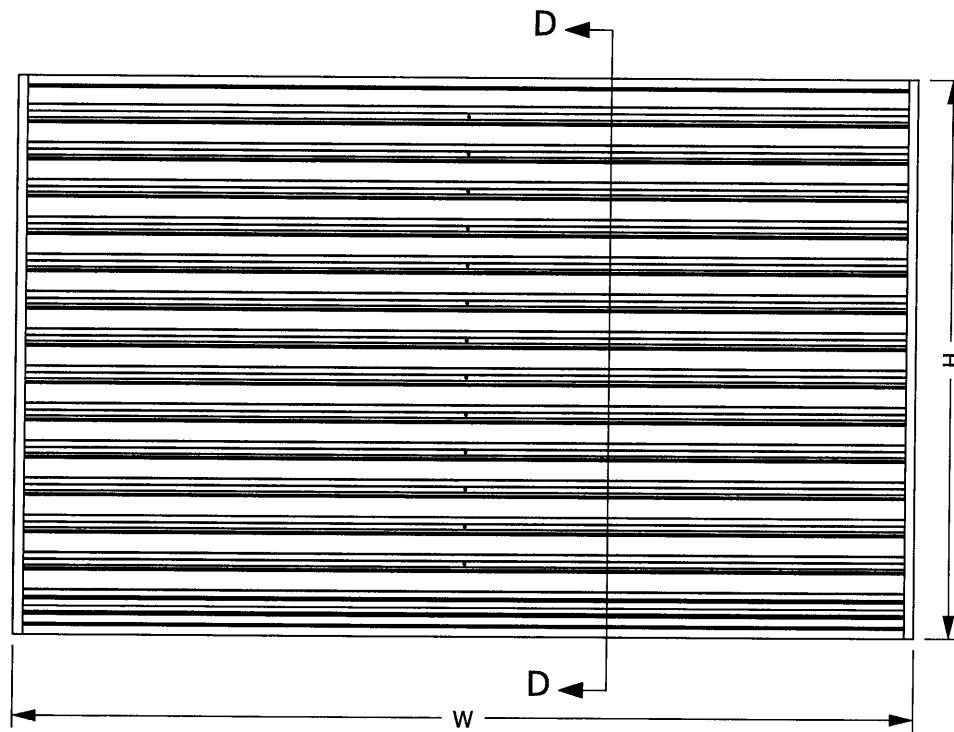
THIS DRAWING AND THE DESIGN REPRESENTED ARE THE CONFIDENTIAL AND PROPRIETARY PROPERTY OF PCI INDUSTRIES AND MAY NOT BE DISCLOSED, LOANED, COPIED, OR USED FOR ANY PURPOSE OTHER THAN DESIGN REVIEW AND APPROVAL WITHOUT THE EXPRESS WRITTEN CONSENT OF PCI INDUSTRIES.

DRAWING DESC: WOOD ATTACHMENT DETAILS				
PROJECT: FLORIDA BUILDING CODE LOUVERS				
LOCATION:				
CUSTOMER:				
PROJ. MGR:		DRAWN BY: TB		
DATE: 11/24/2009	CHK'D BY:	ORDER NUMBER	P.O. NUMBER	DRAWING NUMBER
SHEET: 5 of 6	SCALE: NTS			WOOD CONDITION

Louver Tributary Height (in.)	EFK- 437 LOUVER MODEL - Single Section Width Assemblies - Maximum Allowable Design Pressure - (PSF)																						
	Louver Width (in.)																						
	12"	18"	24"	30"	36"	42"	48"	54"	60"	66"	72"	78"	84"	90"	96"	102"	108"	114"	120"				
12"	187	125	93	75	62	53	41	29	21	68	62	57	53	50	47	44	42	39	37				
18"	187	125	93	75	62	53	41	29	21	68	62	57	53	50	47	44	42	39	37				
24"	187	125	93	75	62	53	41	29	21	68	62	57	53	50	47	44	42	39	37				
30"	187	125	93	75	62	53	41	29	21	61	56	52	48	45	42	40	37	35	34				
36"	187	125	93	75	62	53	41	29	21	42	39	36	33	50	47	44	42	39	37				
42"	187	125	93	75	62	53	41	29	21	54	50	46	43	40	37	35	33	32	37				
48"	187	125	93	75	62	53	41	29	21	42	38	35	33	31	47	44	42	39	37				
54"	187	125	93	75	62	53	41	29	21	33	57	53	49	46	43	40	38	36	37				
60"	187	125	93	75	62	53	41	29	21	50	46	43	40	37	35	33	34	39	37				
66"	187	125	93	75	62	53	41	29	21	SIZES IN SHADED CELL GET ANGLE STIFFENER													
72"	187	125	93	75	62	53	41	29	21														
78"	187	125	93	75	62	53	41	29	21														
84"	187	125	93	75	62	53	41	29	21														
90"	187	125	93	75	62	53	41	29	21														
96"	187	125	93	75	62	53	41	29	21														
102"	187	125	93	75	62	53	41	29	21														
108"	187	125	93	75	62	53	41	29	21														
114"	187	125	93	75	62	53	41	29	21														
120"	187	125	93	75	62	53	41	29	21														

Louver Tributary Height (in.)	EFK - 437 LOUVER MODEL - Multiple Section Width Assemblies - Maximum Allowable Design Pressure - (PSF)																						
	Louver Width (in.)																						
	12"	18"	24"	30"	36"	42"	48"	54"	60"	66"	72"	78"	84"	90"	96"	102"	108"	114"	120"				
12"	187	125	93	75	62	53	41	29	21	68	62	57	53	50	47	44	42	39	37				
18"	187	125	93	75	62	53	41	29	21	68	62	57	53	50	47	44	42	39	37				
24"	187	125	93	75	62	53	41	29	21	68	62	57	53	50	47	44	42	39	37				
30"	187	125	93	75	62	53	41	29	21	61	56	52	48	45	42	40	37	35	34				
36"	187	125	93	75	62	53	41	29	21	42	39	36	33	50	47	44	42	39	37				
42"	187	125	93	75	62	53	41	29	21	54	50	46	43	40	37	35	33	32	37				
48"	187	125	93	75	62	53	41	29	21	42	38	35	33	31	47	44	42	39	37				
54"	187	125	93	75	62	53	41	29	21	33	57	53	49	46	43	40	38	36	34				
60"	187	125	93	75	62	53	41	29	21	50	46	43	40	37	35	33	34	33	31				
66"	187	125	93	75	62	53	41	29	21	SIZES IN SHADED CELL GET ANGLE STIFFENER													
72"	187	125	93	75	62	53	41	29	21														
78"	187	125	93	75	62	53	41	29	21														
84"	187	125	93	75	62	53	41	29	21														
90"	187	125	93	75	62	53	41	29	21														
96"	187	125	93	75	62	53	41	29	21														
102"	171	114	85	68	57	49	41	29	21														
108"	152	101	76	61	51	43	38	29	21														
114"	137	91	68	55	46	39	34	29	21														
120"	123	82	62	49	41	35	31	27	21														

Louver Height (in.)	Stiffener Angle Dimensions (b x a x t)										
	Width (in.)										
	66"	72"	78"	84"	90"	96"	102"	108"	114"	120"	
12"	2"x1.5"x1/8"										
18"	2"x1.5"x1/8"										
24"	2"x1.5"x1/8"										
30"	2"x1.5"x1/8"										
36"	2"x2"x1/8"										
42"	2"x2"x1/8"										
48"	2"x2"x1/8"										
54"	2" x 2" x 1/4"										
60"	3" x 2" x 1/4"										



**RICE ENGINEERING**  
 105 School Creek Trail  
 Luxemburg, WI 54217  
 Phone: 920.845.1042  
 Fax: 920.845.1048  
 www.rice-inc.com

Florida Firm No: F-01000005061  
 Certificate of Authorization: #9090  
 L. David Rice  
 Registration No: 50923

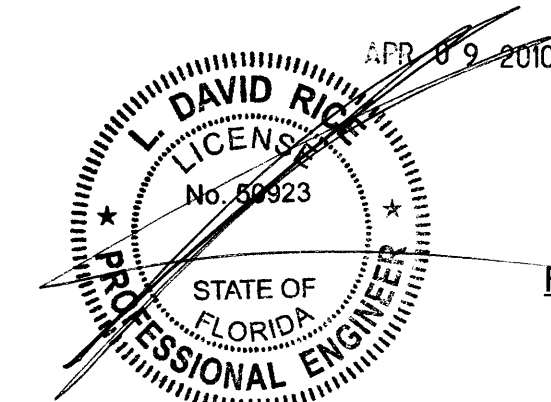
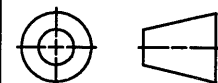
UNLESS OTHERWISE SPECIFIED  
 DIMENSION ARE IN INCHES.

TOLERANCE UNLESS NOTED:  
 X.X ±0.030  
 X.XX ±0.015  
 X.XXX ±0.010  
 ANGLE ±1°  
 FRACTION ±1/16

MAX HOLE BREAKOUT:  
 15% OF MATERIAL THICKNESS

5101 Blue Mound Road  
 Fort Worth, Texas 76106  
 Phone: 817-509-2300  
 Fax: 817-831-3110

THIRD ANGLE PROJECTION



**ALL-LITE ARCHITECTURAL PRODUCTS**  
 THIS DRAWING AND THE DESIGN REPRESENTED ARE THE CONFIDENTIAL AND PROPRIETARY PROPERTY OF PCI INDUSTRIES AND MAY NOT BE DISCLOSED, LOANED, COPIED, OR USED FOR ANY PURPOSE OTHER THAN DESIGN REVIEW AND APPROVAL WITHOUT THE EXPRESS WRITTEN CONSENT OF PCI INDUSTRIES.

DRAWING DESCR: EFK-437, ELEVATION & DETAILS

PROJECT: FLORIDA BUILDING CODE LOUVERS

LOCATION:

CUSTOMER:

PROJ. MGR:

DATE: 11/24/2009

SHEET: 6 of 6

CHK'D BY:

SCALE: 1:20

DRAWN BY: TB

ORDER NUMBER

P.O. NUMBER

DRAWING NUMBER

EFK-437