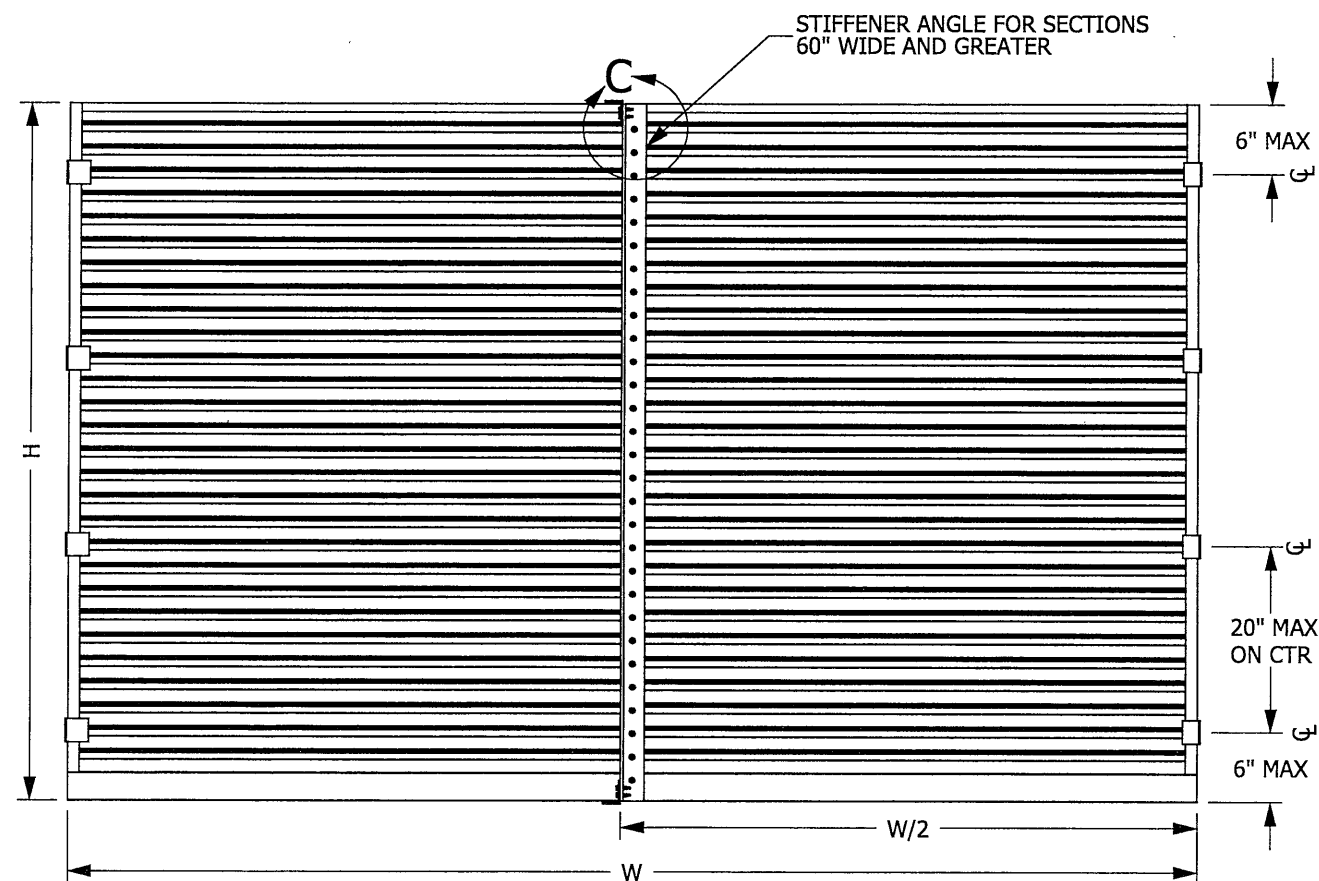
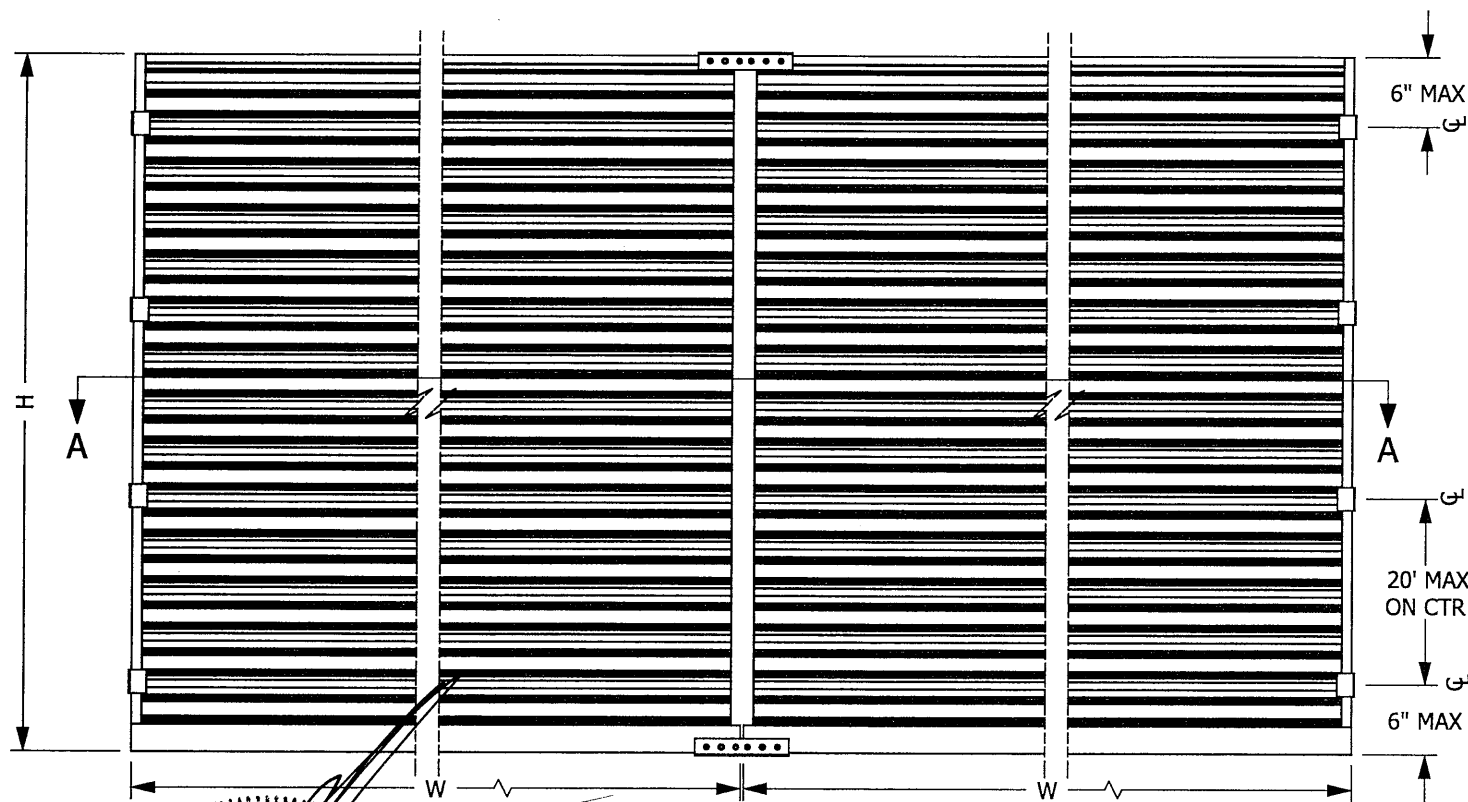
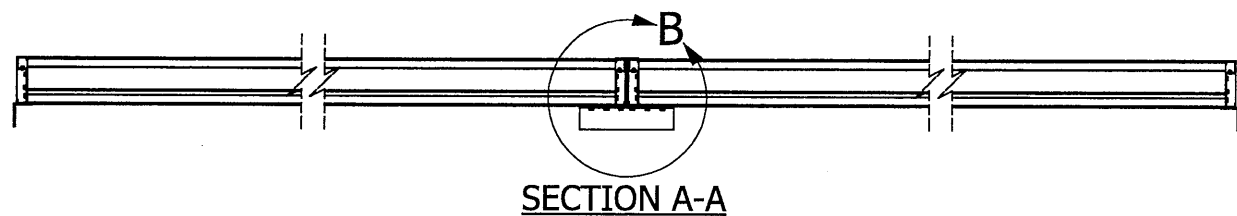
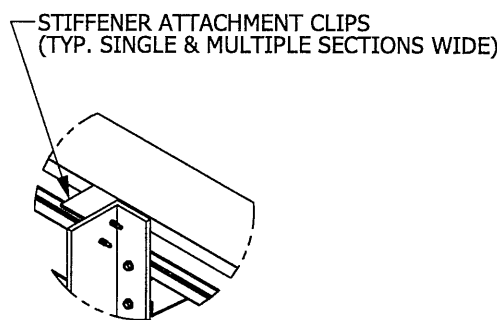
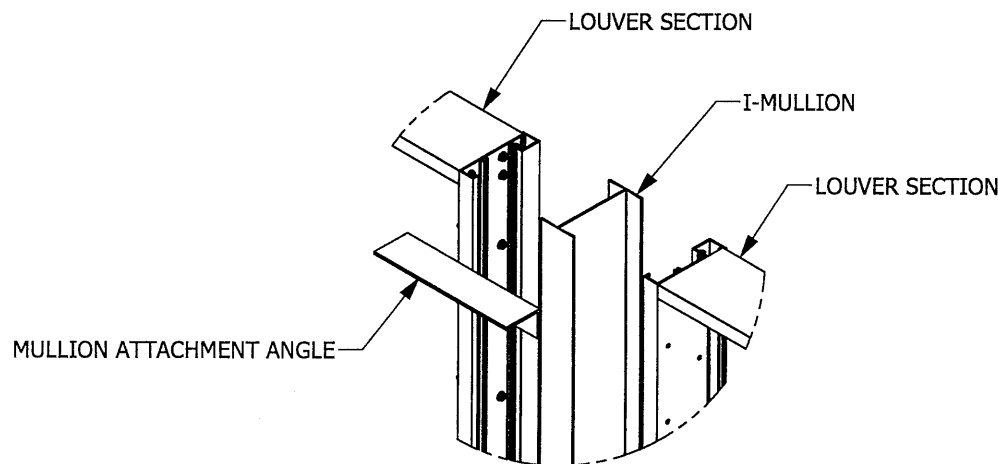
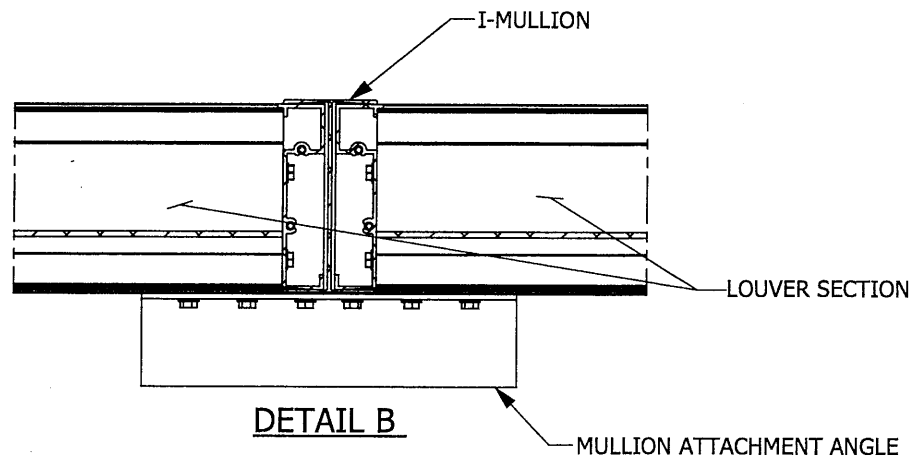


RICE
ENGINEERING

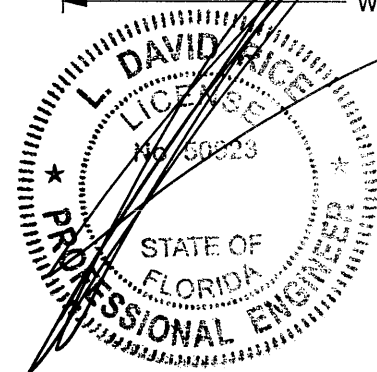
105 School Creek Trail
Luxemburg, WI 54217
Phone: 920.645.1042
Fax: 920.645.1048
www.rice-inc.com

Florida Firm No: F-0100005061
Certificate of Authorization: #9090
L. David Rice
Registration No: 50923



MULTIPLE SECTION WIDE
INTERIOR ELEVATION
CLIP PLACEMENT

SINGLE SECTION WIDE, INTERIOR ELEVATION
CLIP PLACEMENT



APR 09 2010

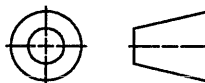
UNLESS OTHERWISE SPECIFIED
DIMENSION ARE IN INCHES.

TOLERANCE UNLESS NOTED:
X.X ±0.030
X.XX ±0.015
X.XXX ±0.010
ANGLE ±1°
FRACTION ±1/16

MAX HOLE BREAKOUT:
15% OF MATERIAL THICKNESS

5101 Blue Mound Road
Fort Worth, Texas 76106
Phone: 817-509-2300
Fax: 817-831-3110

THIRD ANGLE PROJECTION



ALL-LITE
ARCHITECTURAL PRODUCTS

THIS DRAWING AND THE DESIGN REPRESENTED ARE
THE CONFIDENTIAL AND PROPRIETARY PROPERTY OF
PCI INDUSTRIES AND MAY NOT BE DISCLOSED, LOANED,
COPIED, OR USED FOR ANY PURPOSE OTHER THAN DESIGN
REVIEW AND APPROVAL WITHOUT THE EXPRESS WRITTEN
CONSENT OF PCI INDUSTRIES.

DRAWING DESCR: ATTACHMENT ELEVATION & DETAILS

PROJECT: FLORIDA BUILDING CODE LOUVERS

LOCATION:

CUSTOMER:

PROJ. MGR:

DATE: 11/24/2009

SHEET: 1 of 6

CHK'D BY:

SCALE: NTS

DRAWN BY: TB

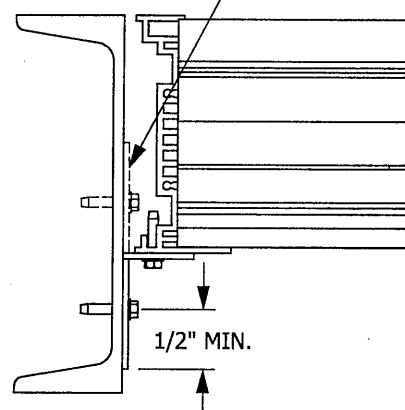
ORDER NUMBER

P.O. NUMBER

DRAWING NUMBER

ATTACHMENT

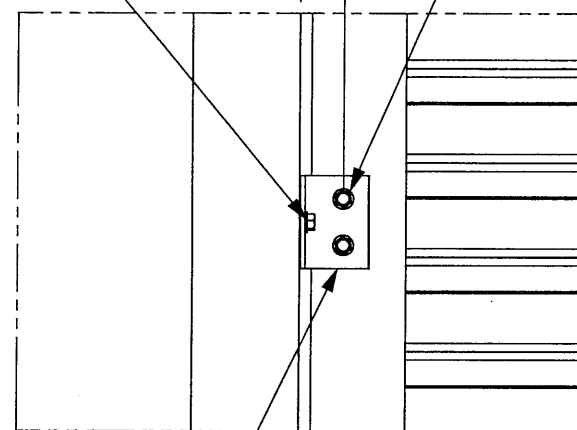
REVERSE ATTACHMENT OPTION



#10-24 x 3/4" SST TEK SCREW PROVIDED BY OTHERS

15/16" MAX

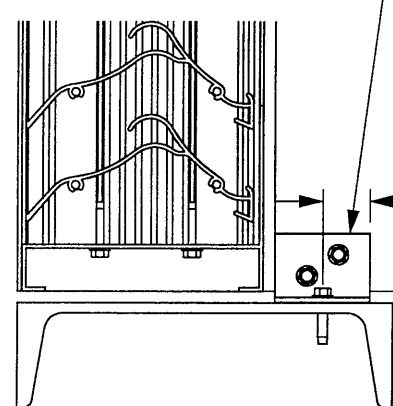
#10-24 x 3/4" SST TEK SCREW PROVIDED BY POTTORFF



2" x 1 1/2" x 1/8" x 2" L ALUMINUM ANGLE

**JAMB ATTACHMENT DETAILS
STEEL CONDITION**

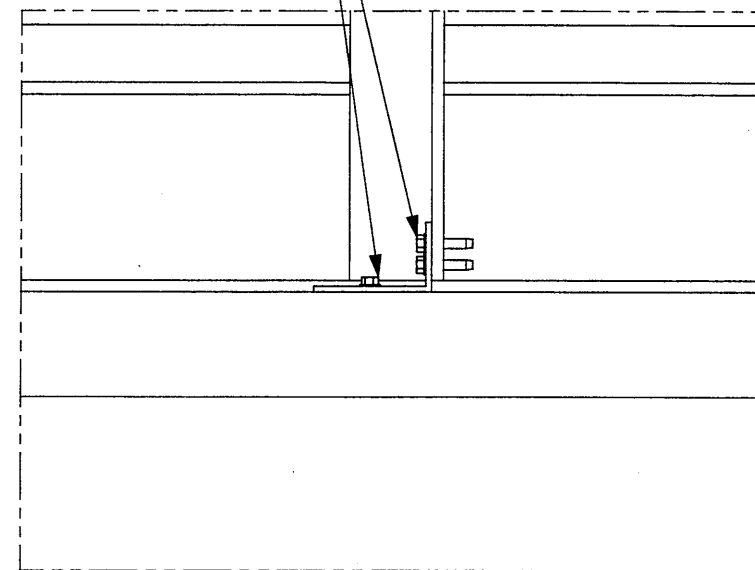
2" x 1 1/2" x 1/8" x 2" L ALUMINUM ANGLE



1/2" MIN.

#10-24 x 3/4" SST TEK SCREW PROVIDED BY POTTORFF

#10-24 x 3/4" SST TEK SCREW PROVIDED BY OTHERS

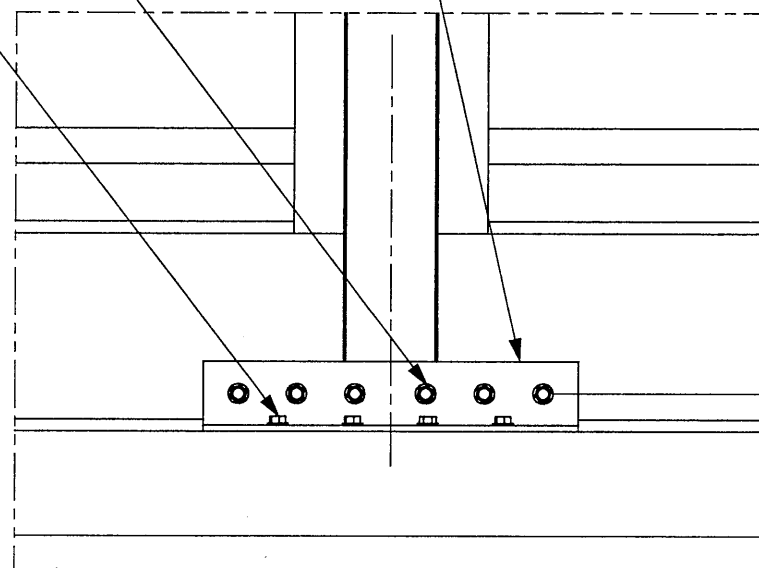


**STIFFENER ATTACHMENT DETAILS
STEEL CONDITION**

#10-24 x 3/4" SST TEK SCREW PROVIDED BY POTTORFF

2" x 1 1/2" x 1/8" x 8" L ALUMINUM ANGLE

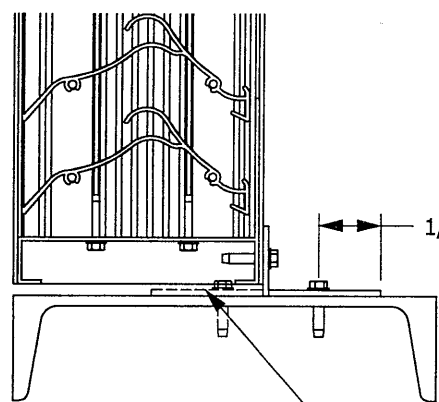
#10-24 x 3/4" SST TEK SCREW PROVIDED BY OTHERS



1/2" MIN.

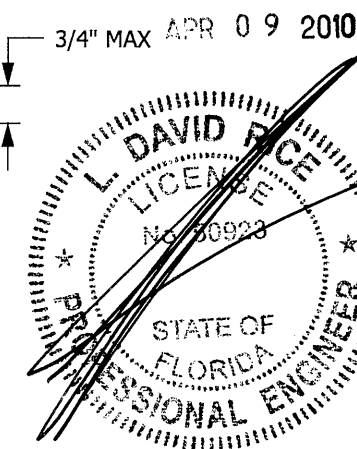
**MULLION ATTACHMENT DETAILS
STEEL CONDITION**

REVERSE ATTACHMENT OPTION



INSTALLATION NOTES:

- 1) DRAWING INCLUDES INSTALLATION DETAILS TO ATTAIN MAXIMUM DESIGN PRESSURES FOR LOUVER PER CHARTS ON DRAWING 6
- 2) IT IS ASSUMED THAT THE LOUVER SYSTEMS DO NOT SUPPORT ANY LOADS TRANSFERRED FROM THE BUILDING.
- 3) IT IS ASSUMED THAT THE BUILDING CONDITIONS ARE ADEQUATELY DESIGNED TO SUPPORT LOADS IMPARTED BY THE LOUVER SYSTEM.
- 4) INSTALLER TO PROVIDE GASKET MATERIAL BETWEEN DISSIMILAR MATERIALS IN ORDER TO PROTECT FROM CORROSION.
- 5) CRITICAL EQUIPMENT TO BE PROTECTED FROM MOISTURE INGRESS.
- 6) OTHER BUILDING CONDITIONS THAN THOSE DENOTED CAN BE UTILIZED IF ANALYZED AND APPROVED BY A PROFESSIONAL ENGINEER.
- 7) MULTI-SECTION WIDE AND HIGH LOUVER SYSTEMS ARE ALLOWABLE PROVIDED THE INDIVIDUAL SECTIONS ARE SUPPORTED PER THE DETAIL ON THIS DRAWING AND A SUITABLE STRUCTURE IS ANALYZED AND APPROVED BY A PROFESSIONAL ENGINEER.
- 8) ALL STEEL SUBSTRATE SHALL BE 18 GA STUD EQUIVALENT OR STRONGER.



RICE
ENGINEERING

105 School Creek Trail
Luxemburg, WI 54217
Phone: 920.845.1042
Fax: 920.845.1048
www.rice-inc.com

Florida Firm No: F-01000005061
Certificate of Authorization: #9090
L. David Rice
Registration No: 50923

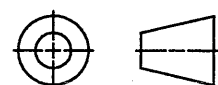
UNLESS OTHERWISE SPECIFIED
DIMENSION ARE IN INCHES.

TOLERANCE UNLESS NOTED:
X.X ±0.030
X.XX ±0.015
X.XXX ±0.010
ANGLE ±1°
FRACTION ±1/16

MAX HOLE BREAKOUT:
15% OF MATERIAL THICKNESS

5101 Blue Mound Road
Fort Worth, Texas 76106
Phone: 817-509-2300
Fax: 817-831-3110

THIRD ANGLE PROJECTION



ALL-LITE
ARCHITECTURAL PRODUCTS

THIS DRAWING AND THE DESIGN REPRESENTED ARE THE CONFIDENTIAL AND PROPRIETARY PROPERTY OF PCI INDUSTRIES AND MAY NOT BE DISCLOSED, LOANED, COPIED, OR USED FOR ANY PURPOSE OTHER THAN DESIGN REVIEW AND APPROVAL WITHOUT THE EXPRESS WRITTEN CONSENT OF PCI INDUSTRIES.

DRAWING DESCR: STEEL ATTACHMENT DETAILS

PROJECT: FLORIDA BUILDING CODE LOUVERS

LOCATION:

CUSTOMER:

PROJ. MGR:

DRAWN BY: TB

DATE: 11/24/2009

CHK'D BY:

ORDER NUMBER

P.O. NUMBER

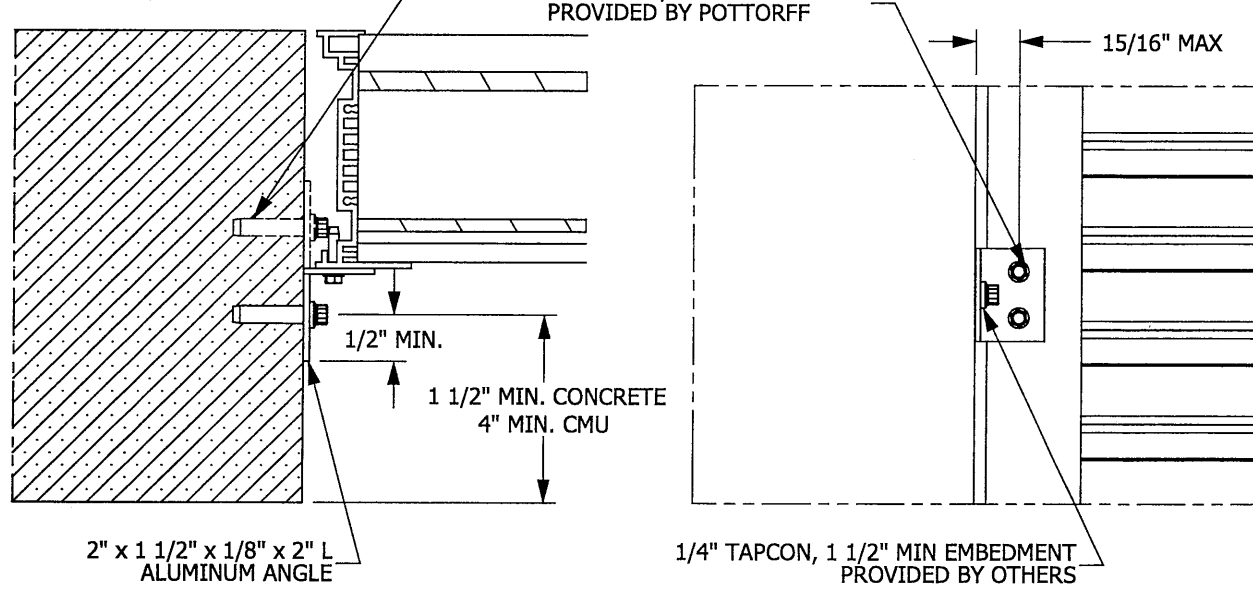
DRAWING NUMBER

SHEET: 2 of 6

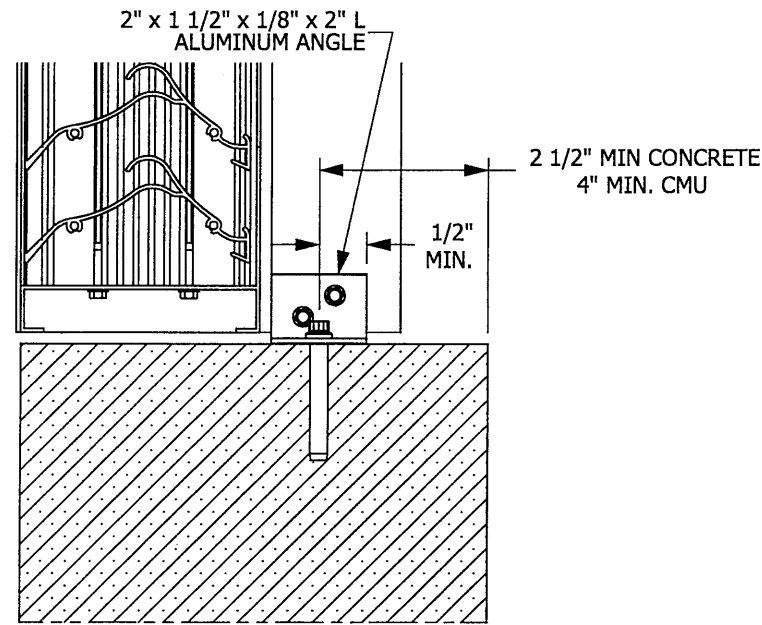
SCALE: NTS

STEEL CONDITION

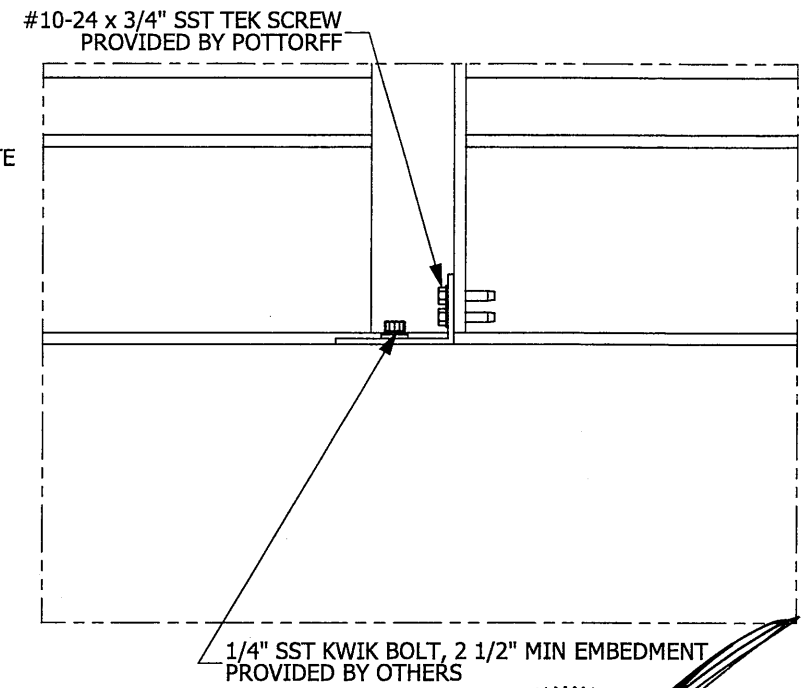
REVERSE ATTACHMENT OPTION



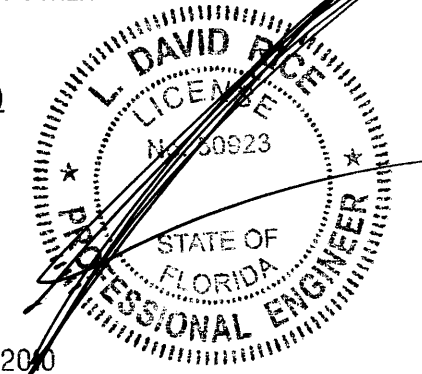
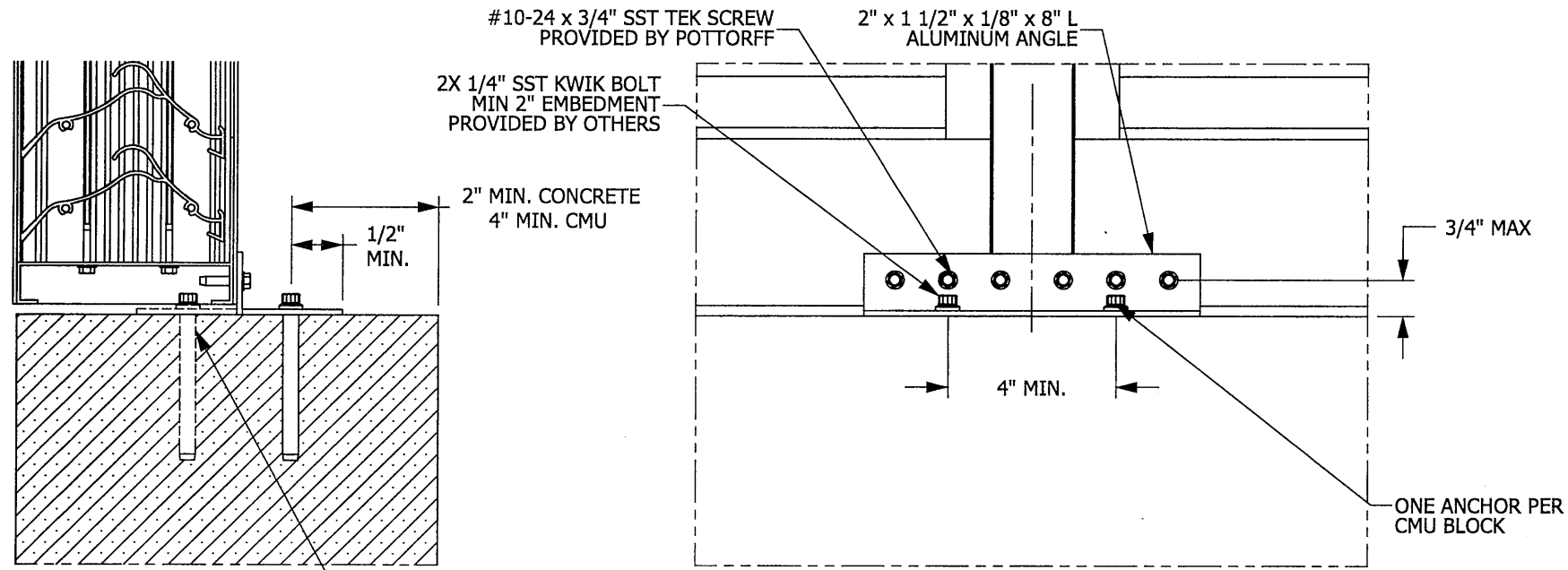
**JAMB ATTACHMENT DETAIL
MASONRY CONDITION (SHEAR CONNECTION)**



**STIFFENER ATTACHMENT DETAIL
MASONRY CONDITION (SHEAR CONNECTION)**



**MULLION ATTACHMENT DETAIL
MASONRY CONDITION (SHEAR CONNECTION)**



APR 09 2010

- INSTALLATION NOTES:**
- 1) DRAWING INCLUDES INSTALLATION DETAILS TO ATTAIN MAXIMUM DESIGN PRESSURES FOR LOUVER PER CHARTS ON DRAWING 6
 - 2) IT IS ASSUMED THAT THE LOUVER SYSTEMS DO NOT SUPPORT ANY LOADS TRANSFERRED FROM THE BUILDING.
 - 3) IT IS ASSUMED THAT THE BUILDING CONDITIONS ARE ADEQUATELY DESIGNED TO SUPPORT LOADS IMPARTED BY THE LOUVER SYSTEM.
 - 4) INSTALLER TO PROVIDE GASKET MATERIAL BETWEEN DISSIMILAR MATERIALS IN ORDER TO PROTECT FROM CORROSION.
 - 5) CRITICAL EQUIPMENT TO BE PROTECTED FROM MOISTURE INGRESS.
 - 6) OTHER BUILDING CONDITIONS THAN THOSE DENOTED CAN BE UTILIZED IF ANALYZED AND APPROVED BY A PROFESSIONAL ENGINEER.
 - 7) MULTI-SECTION WIDE AND HIGH LOUVER SYSTEMS ARE ALLOWABLE PROVIDED THE INDIVIDUAL SECTIONS ARE SUPPORTED PER THE DETAIL ON THIS DRAWING AND A SUITABLE STRUCTURE IS ANALYZED AND APPROVED BY A PROFESSIONAL ENGINEER.
 - 8) ALL CONCRETE SUBSTRATE SHALL BE 2000 PSI OR STRONGER.
 - 9) ALL CMU SUBSTRATE SHALL BE ASTM C90 TYPE 2 FILLED WITH $f_m=1500$ PSI GROUT

RICE ENGINEERING

105 School Creek Trail
Luxemburg, WI 54217
Phone: 920-845-1042
Fax: 920-845-1048
www.rice-inc.com

Florida Firm No: F-01000005061
Certificate of Authorization: #9090
L. David Rice
Registration No: 50923

UNLESS OTHERWISE SPECIFIED DIMENSION ARE IN INCHES.	5101 Blue Mound Road Fort Worth, Texas 76106 Phone: 817-509-2300 Fax: 817-831-3110
TOLERANCE UNLESS NOTED: X.X ±0.030 X.XX ±0.015 X.XXX ±0.010 ANGLE ±1° FRACTION ±1/16	THIRD ANGLE PROJECTION
MAX HOLE BREAKOUT: 15% OF MATERIAL THICKNESS	

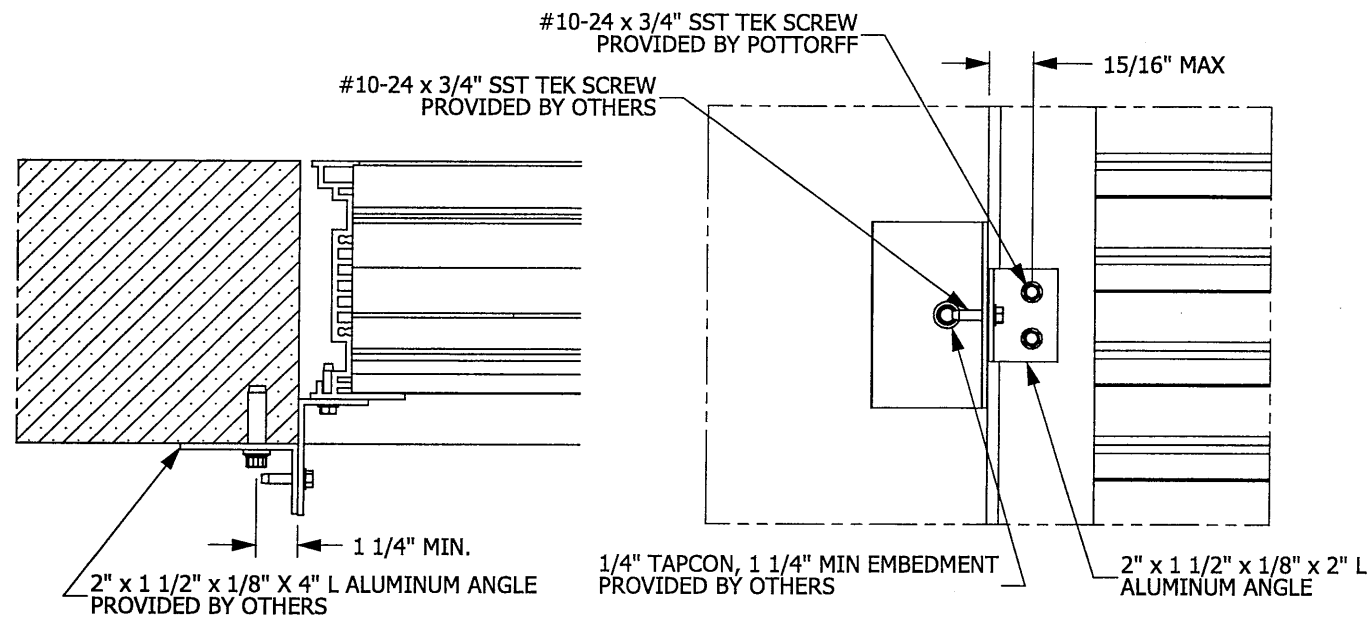
ALL-LITE ARCHITECTURAL PRODUCTS

THIS DRAWING AND THE DESIGN REPRESENTED ARE THE CONFIDENTIAL AND PROPRIETARY PROPERTY OF PCI INDUSTRIES AND MAY NOT BE DISCLOSED, LOANED, COPIED, OR USED FOR ANY PURPOSE OTHER THAN DESIGN REVIEW AND APPROVAL WITHOUT THE EXPRESS WRITTEN CONSENT OF PCI INDUSTRIES.

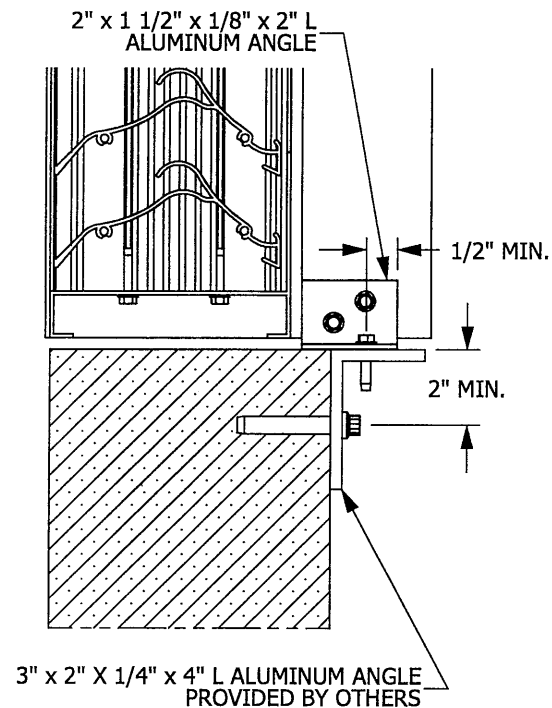
DRAWING DESCR: MASONRY ATTACHMENT DETAILS				
PROJECT: FLORIDA BUILDING CODE LOUVERS				
LOCATION:				
CUSTOMER:				
PROJ. MGR:	DRAWN BY: TB			
DATE: 11/24/2009	CHK'D BY:	ORDER NUMBER	P.O. NUMBER	DRAWING NUMBER
SHEET: 3 of 6	SCALE: NTS			MASONRY COND. (SHEAR)

C:\Cads\trans\Tom\LOUVERS\Florida Building Code Louvers

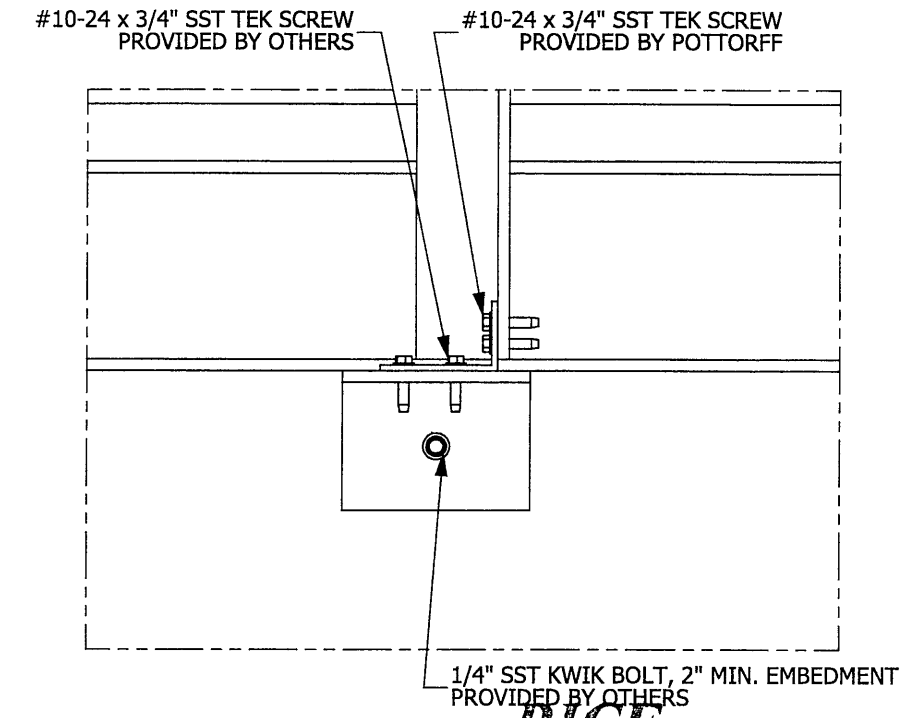
\\Cads\trans\Tom\LOUVERS\Florida Building Code Louvers



**JAMB ATTACHMENT DETAIL
MASONRY CONDITION (TENSION CONNECTION)**



**STIFFENER ATTACHMENT DETAIL
MASONRY CONDITION (TENSION CONNECTION)**

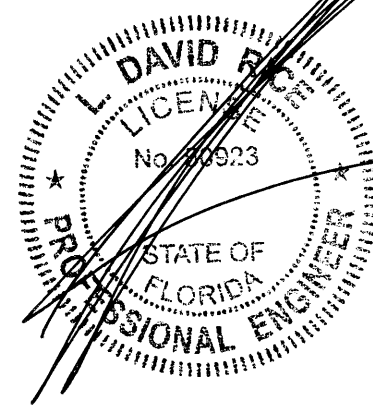


**MULLION ATTACHMENT DETAIL
MASONRY CONDITION (TENSION CONNECTION)**

RICE
ENGINEERING
105 School Creek Trail
Luxemburg, WI 54217
Phone: 920-845-1042
Fax: 920-845-1048
www.rice-inc.com

Florida Firm No: F-0100005061
Certificate of Authorization: #9090
L. David Rice
Registration No: 50923

- INSTALLATION NOTES:**
- 1) DRAWING INCLUDES INSTALLATION DETAILS TO ATTAIN MAXIMUM DESIGN PRESSURES FOR LOUVER PER CHARTS ON DRAWING 6
 - 2) IT IS ASSUMED THAT THE LOUVER SYSTEMS DO NOT SUPPORT ANY LOADS TRANSFERRED FROM THE BUILDING.
 - 3) IT IS ASSUMED THAT THE BUILDING CONDITIONS ARE ADEQUATELY DESIGNED TO SUPPORT LOADS IMPARTED BY THE LOUVER SYSTEM.
 - 4) INSTALLER TO PROVIDE GASKET MATERIAL BETWEEN DISSIMILAR MATERIALS IN ORDER TO PROTECT FROM CORROSION.
 - 5) CRITICAL EQUIPMENT TO BE PROTECTED FROM MOISTURE INGRESS.
 - 6) OTHER BUILDING CONDITIONS THAN THOSE DENOTED CAN BE UTILIZED IF ANALYZED AND APPROVED BY A PROFESSIONAL ENGINEER.
 - 7) MULTI-SECTION WIDE AND HIGH LOUVER SYSTEMS ARE ALLOWABLE PROVIDED THE INDIVIDUAL SECTIONS ARE SUPPORTED PER THE DETAIL ON THIS DRAWING AND A SUITABLE STRUCTURE IS ANALYZED AND APPROVED BY A PROFESSIONAL ENGINEER.
 - 8) ALL CONCRETE SUBSTRATE SHALL BE BE 2000 PSI OR STRONGER.



APR 09 2010

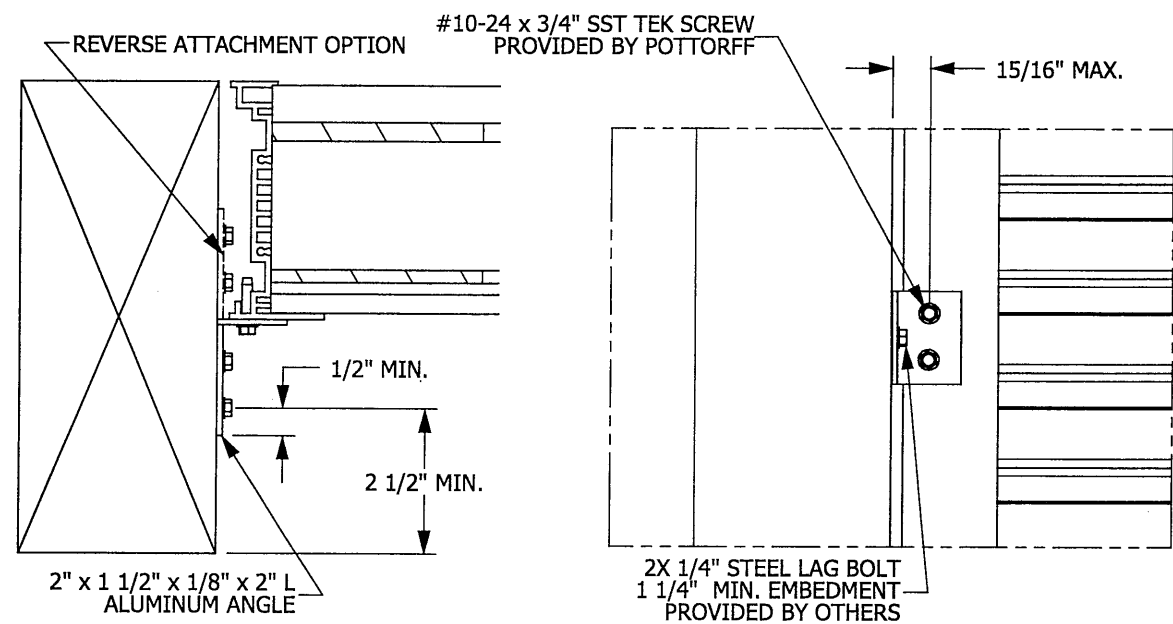
UNLESS OTHERWISE SPECIFIED DIMENSION ARE IN INCHES.	5101 Blue Mound Road Fort Worth, Texas 76106 Phone: 817-509-2300 Fax: 817-831-3110
TOLERANCE UNLESS NOTED: X.X ±0.030 X.XX ±0.015 X.XXX ±0.010 ANGLE ±1° FRACTION ±1/16	THIRD ANGLE PROJECTION
MAX HOLE BREAKOUT: 15% OF MATERIAL THICKNESS	

ALL-LITE
ARCHITECTURAL PRODUCTS

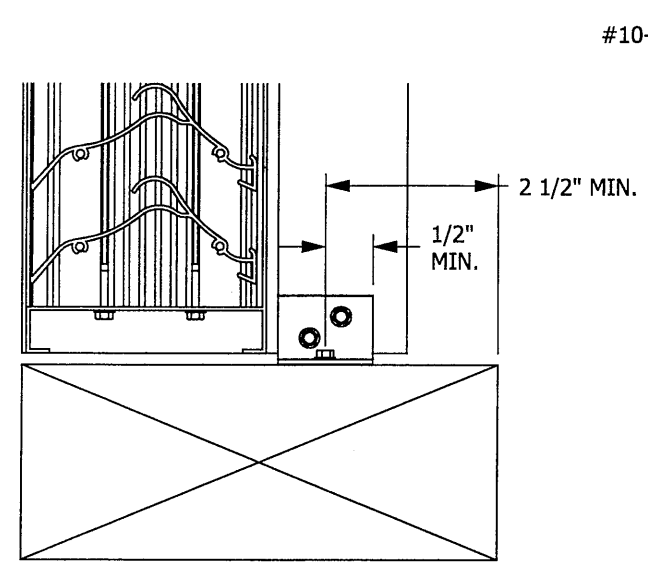
THIS DRAWING AND THE DESIGN REPRESENTED ARE THE CONFIDENTIAL AND PROPRIETARY PROPERTY OF PCI INDUSTRIES AND MAY NOT BE DISCLOSED, LOANED, COPIED, OR USED FOR ANY PURPOSE OTHER THAN DESIGN REVIEW AND APPROVAL WITHOUT THE EXPRESS WRITTEN CONSENT OF PCI INDUSTRIES.

DRAWING DESCR: MASONRY ATTACHMENT DETAILS				
PROJECT: FLORIDA BUILDING CODE LOUVERS				
LOCATION:				
CUSTOMER:				
PROJ. MGR:		DRAWN BY: TB		
DATE: 11/24/2009	CHK'D BY:	ORDER NUMBER	P.O. NUMBER	DRAWING NUMBER
SHEET: 4 of 6	SCALE: NTS			MASONRY COND. (TENSION)

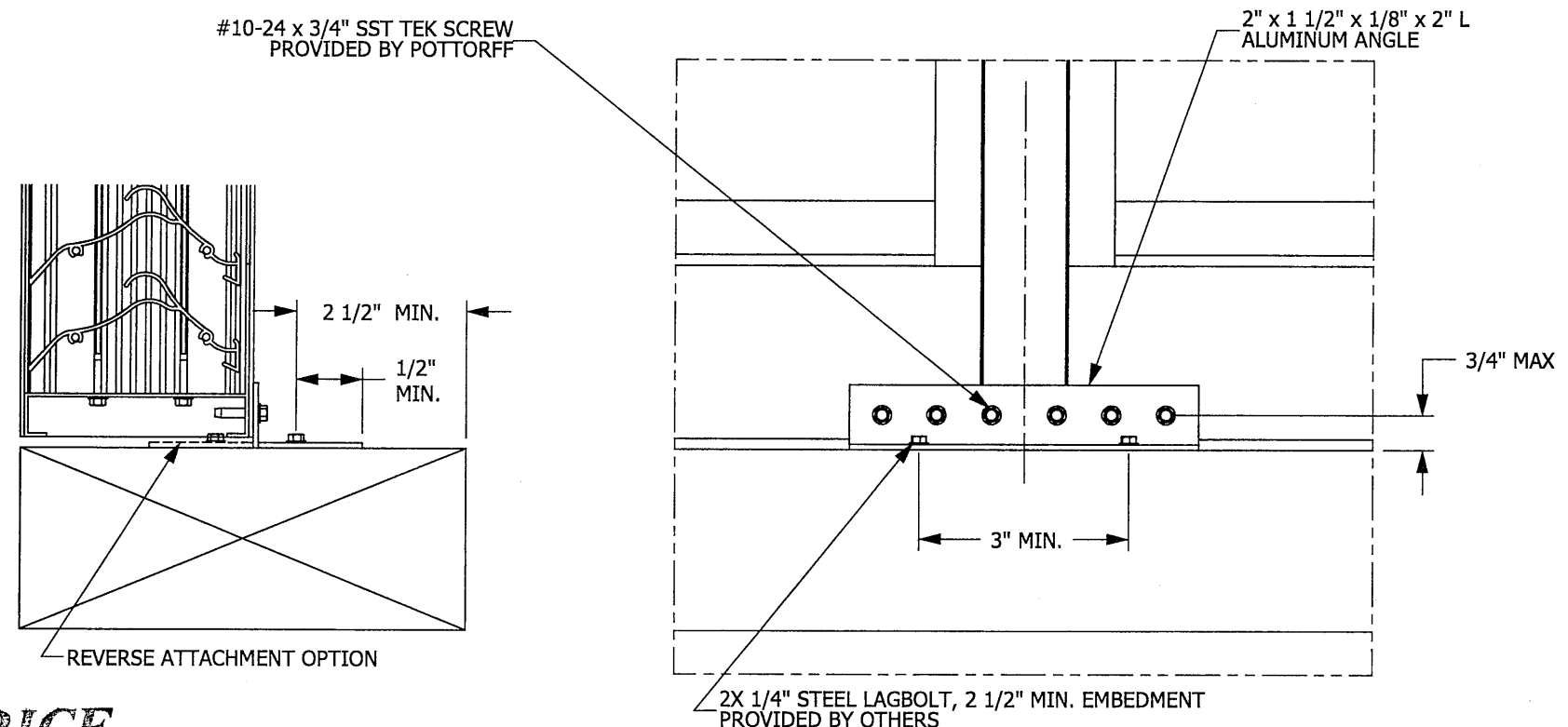
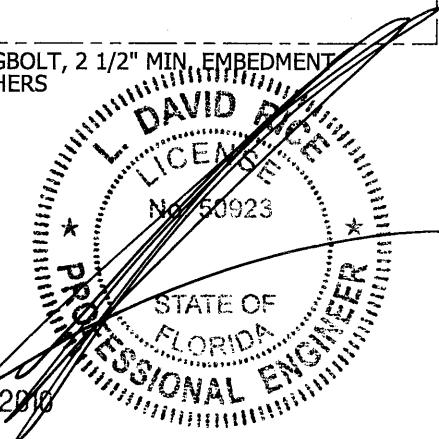
\\Cadsrv\trans\Tom\LOUVERS\Florida Building Code Louvers



**JAMB ATTACHMENT DETAIL
WOOD BLOCK CONDITION**



**STIFFENER ATTACHMENT DETAIL
WOOD BLOCK CONDITION**



**MULLION ATTACHMENT DETAIL
WOOD BLOCK CONDITION**

- INSTALLATION NOTES:**
- 1) DRAWING INCLUDES INSTALLATION DETAILS TO ATTAIN MAXIMUM DESIGN PRESSURES FOR LOUVER PER CHARTS ON DRAWING 6
 - 2) IT IS ASSUMED THAT THE LOUVER SYSTEMS DO NOT SUPPORT ANY LOADS TRANSFERRED FROM THE BUILDING.
 - 3) IT IS ASSUMED THAT THE BUILDING CONDITIONS ARE ADEQUATELY DESIGNED TO SUPPORT LOADS IMPARTED BY THE LOUVER SYSTEM.
 - 4) INSTALLER TO PROVIDE GASKET MATERIAL BETWEEN DISSIMILAR MATERIALS IN ORDER TO PROTECT FROM CORROSION.
 - 5) CRITICAL EQUIPMENT TO BE PROTECTED FROM MOISTURE INGRESS.
 - 6) OTHER BUILDING CONDITIONS THAN THOSE DENOTED CAN BE UTILIZED IF ANALYZED AND APPROVED BY A PROFESSIONAL ENGINEER.
 - 7) MULTI-SECTION WIDE AND HIGH LOUVER SYSTEMS ARE ALLOWABLE PROVIDED THE INDIVIDUAL SECTIONS ARE SUPPORTED PER THE DETAIL ON THIS DRAWING AND A SUITABLE STRUCTURE IS ANALYZED AND APPROVED BY A PROFESSIONAL ENGINEER.
 - 8) ALL WOOD SUBSTRATE SHALL BE G=0.42 DENSITY OR BETTER.

RICE
ENGINEERING
105 School Creek Trail
Luxemburg, WI 54217
Phone 920.845.1042
Fax 920.845.1048
www.rice-inc.com

Florida Firm No. F-01060005061
Certificate of Authorization: #9090
L. David Rice
Registration No: 50923

UNLESS OTHERWISE SPECIFIED DIMENSION ARE IN INCHES.	5101 Blue Mound Road Fort Worth, Texas 76106 Phone: 817-509-2300 Fax: 817-831-3110
TOLERANCE UNLESS NOTED: X.X ±0.030 X.XX ±0.015 X.XXX ±0.010 ANGLE ±1° FRACTION ±1/16	THIRD ANGLE PROJECTION
MAX HOLE BREAKOUT: 15% OF MATERIAL THICKNESS	

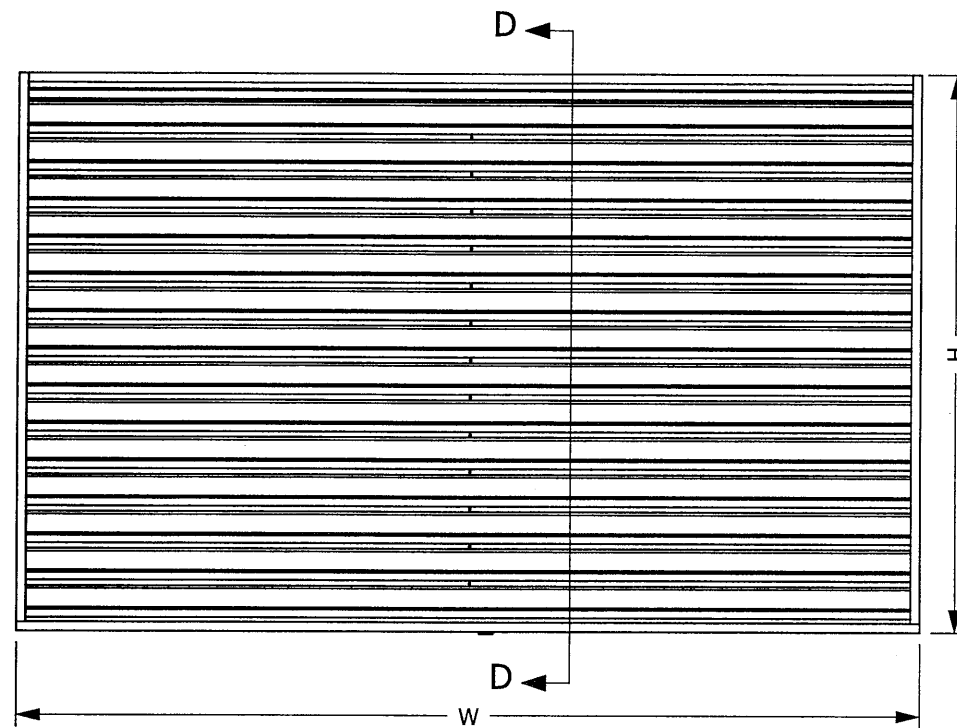
ALL-LITE
ARCHITECTURAL PRODUCTS
THIS DRAWING AND THE DESIGN REPRESENTED ARE THE CONFIDENTIAL AND PROPRIETARY PROPERTY OF PCI INDUSTRIES AND MAY NOT BE DISCLOSED, LOANED, COPIED, OR USED FOR ANY PURPOSE OTHER THAN DESIGN REVIEW AND APPROVAL WITHOUT THE EXPRESS WRITTEN CONSENT OF PCI INDUSTRIES.

DRAWING DESCR: WOOD ATTACHMENT DETAILS				
PROJECT: FLORIDA BUILDING CODE LOUVERS				
LOCATION:				
CUSTOMER:				
PROJ. MGR:		DRAWN BY: TB		
DATE: 11/24/2009	CHK'D BY:	ORDER NUMBER	P.O. NUMBER	DRAWING NUMBER
SHEET: 5 of 6	SCALE: NTS			WOOD CONDITION

Louver Tributary Height (in.)	EFD-437 LOUVER MODEL - Single Section Width Assemblies - Maximum Allowable Design Pressure - (PSF)																						
	Louver Width (in.)																						
	12"	18"	24"	30"	36"	42"	48"	54"	60"	66"	72"	78"	84"	90"	96"	102"	108"	114"	120"				
12"	187	125	93	75	62	53	36	26	19	68	62	57	53	50	47	44	42	39	37				
18"	187	125	93	75	62	53	36	26	19	68	62	57	53	50	47	44	42	39	37				
24"	187	125	93	75	62	53	36	26	19	68	62	57	53	50	47	44	42	39	37				
30"	187	125	93	75	62	53	36	26	19	61	56	52	48	45	42	40	37	35	34				
36"	187	125	93	75	62	53	36	26	19	42	39	36	33	30	47	44	42	39	37				
42"	187	125	93	75	62	53	36	26	19	54	50	46	43	40	37	35	33	32	37				
48"	187	125	93	75	62	53	36	26	19	42	38	35	33	31	47	44	42	39	37				
54"	187	125	93	75	62	53	36	26	19	33	57	53	49	46	43	40	38	36	37				
60"	187	125	93	75	62	53	36	26	19	50	46	43	40	37	35	33	32	39	37				
66"	187	125	93	75	62	53	36	26	19	SIZES IN SHADED CELL GET ANGLE STIFFENER													
72"	187	125	93	75	62	53	36	26	19														
78"	187	125	93	75	62	53	36	26	19														
84"	187	125	93	75	62	53	36	26	19														
90"	187	125	93	75	62	53	36	26	19														
96"	187	125	93	75	62	53	36	26	19														
102"	187	125	93	75	62	53	36	26	19														
108"	187	125	93	75	62	53	36	26	19														
114"	187	125	93	75	62	53	36	26	19														
120"	187	125	93	75	62	53	36	26	19														

Louver Tributary Height (in.)	EFD-437 LOUVER MODEL - Multiple Section Width Assemblies - Maximum Allowable Design Pressure - (PSF)																						
	Louver Width (in.)																						
	12"	18"	24"	30"	36"	42"	48"	54"	60"	66"	72"	78"	84"	90"	96"	102"	108"	114"	120"				
12"	187	125	93	75	62	53	36	26	19	68	62	57	53	50	47	44	42	39	37				
18"	187	125	93	75	62	53	36	26	19	68	62	57	53	50	47	44	42	39	37				
24"	187	125	93	75	62	53	36	26	19	68	62	57	53	50	47	44	42	39	37				
30"	187	125	93	75	62	53	36	26	19	61	56	52	48	45	42	40	37	35	34				
36"	187	125	93	75	62	53	36	26	19	42	39	36	33	30	47	44	42	39	37				
42"	187	125	93	75	62	53	36	26	19	54	50	46	43	40	37	35	33	32	37				
48"	187	125	93	75	62	53	36	26	19	42	38	35	33	31	47	44	42	39	37				
54"	187	125	93	75	62	53	36	26	19	33	57	53	49	46	43	40	38	36	37				
60"	187	125	93	75	62	53	36	26	19	50	46	43	40	37	35	33	34	33	31				
66"	187	125	93	75	62	53	36	26	19	SIZES IN SHADED CELL GET ANGLE STIFFENER													
72"	187	125	93	75	62	53	36	26	19														
78"	187	125	93	75	62	53	36	26	19														
84"	187	125	93	75	62	53	36	26	19														
90"	187	125	93	75	62	53	36	26	19														
96"	187	125	91	73	61	52	36	26	19														
102"	182	122	81	65	54	46	36	26	19														
108"	172	115	72	58	48	41	36	26	19														
114"	163	109	65	52	43	37	32	26	19														
120"	155	103	58	47	39	33	29	26	19														

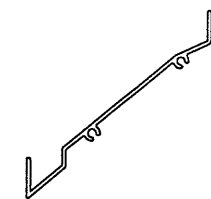
Louver Height (in.)	Stiffener Angle Dimensions (b x a x t)										
	Width (in)										
	66"	72"	78"	84"	90"	96"	102"	108"	114"	120"	
12"	2" x 1.5" x 1/8"										
18"	2" x 1.5" x 1/8"										
24"	2" x 1.5" x 1/8"										
30"	2" x 1.5" x 1/8"										
36"	2" x 2" x 1/8"										
42"	2" x 2" x 1/8"										
48"	2" x 2" x 1/8"										
54"	2" x 2" x 1/4"										
60"	3" x 2" x 1/4"										



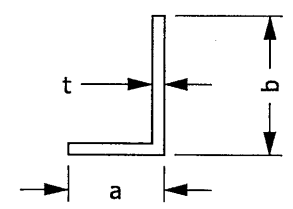
BLADE BRACE, EFD-437
SCALE 1:4



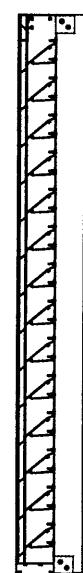
I-MULLION, EFD-437
SCALE 1:4



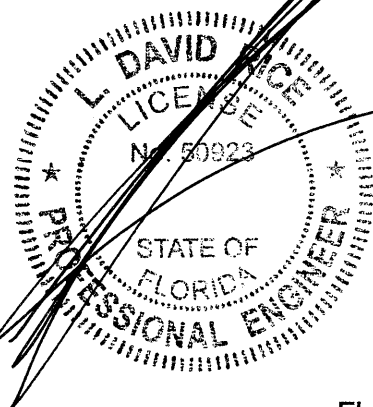
BLADE, EFD-437
SCALE 1:4



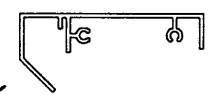
STIFFENER, EFD-437
SCALE 1:4



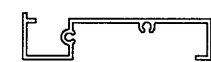
SECTION D-D



APR 09 2010



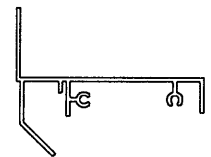
HEAD, EFD-437
SCALE 1:4



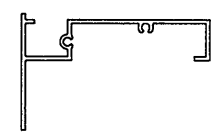
JAMB, EFD-437
SCALE 1:4



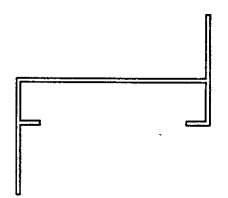
SILL, EFD-437
SCALE 1:4



FLANGED HEAD, EFD-437
SCALE 1:4



FLANGED JAMB, EFD-437
SCALE 1:4



FLANGED SILL, EFD-437
SCALE 1:4

RICE
ENGINEERING

105 School Creek Trail
Luxemburg, WI 54217
Phone: 920.845.1042
Fax: 920.845.1040
WWW.RICE-INC.COM

Florida Firm No. F-3100005061
Certificate of Authorization #L090
L. David Rice
Registration No. 50923

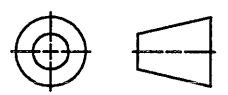
UNLESS OTHERWISE SPECIFIED
DIMENSION ARE IN INCHES.

TOLERANCE UNLESS NOTED:
X.X ±0.030
X.XX ±0.015
X.XXX ±0.010
ANGLE ±1°
FRACTION ±1/16

MAX HOLE BREAKOUT:
15% OF MATERIAL THICKNESS

5101 Blue Mound Road
Fort Worth, Texas 76106
Phone: 817-509-2300
Fax: 817-831-3110

THIRD ANGLE PROJECTION



ALL-LITE

ARCHITECTURAL PRODUCTS

THIS DRAWING AND THE DESIGN REPRESENTED ARE THE CONFIDENTIAL AND PROPRIETARY PROPERTY OF PCI INDUSTRIES AND MAY NOT BE DISCLOSED, LOANED, COPIED, OR USED FOR ANY PURPOSE OTHER THAN DESIGN REVIEW AND APPROVAL WITHOUT THE EXPRESS WRITTEN CONSENT OF PCI INDUSTRIES.

DRAWING DESCR: EFD-437, ELEVATION & DETAILS				
PROJECT: FLORIDA BUILDING CODE LOUVERS				
LOCATION:				
CUSTOMER:				
PROJ. MGR:		DRAWN BY: TB		
DATE: 11/24/2009	CHK'D BY:	ORDER NUMBER	P.O. NUMBER	DRAWING NUMBER
SHEET: 6 of 6	SCALE: 1:20			EFD-437

I:\Tom\LOUVERS\Florida Building Code Louvers