

### Application

The Offset grille is ideally suited for architectural accents, facades, screening, and security barriers and is designed for both interior and external installations. The Offset grille is available in a wide array of finishes including custom color matching.

### Standard Construction

**Material:** 6063-T5 extruded aluminum.

**Frame:** 0.125" (3.2) thick.

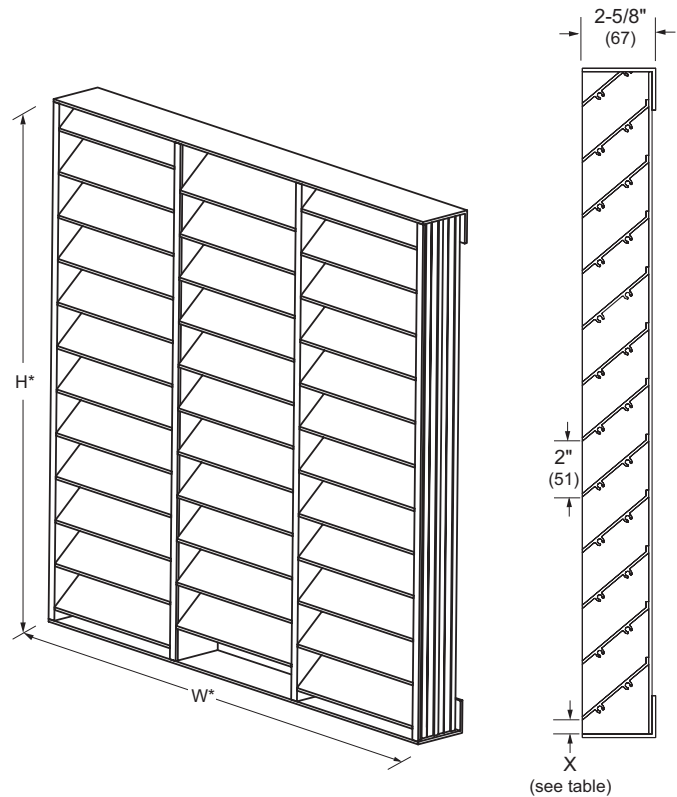
**Blade:** 0.096" (2.4) thick.

**Minimum Size:** 12" x 12" (305 x 305).

**Maximum Size:** Single section: 60" x 180" (1524 x 4572)  
 One Dimension must be 60" (1524) or less.

### Options

- Factory finish:
  - High Performance Fluoropolymer - 100% resin Newlar®/70% resin Kynar®
  - Baked Enamel
  - Clear Anodize
  - Integral Color Anodize
  - Prime Coat



Model **OFFSET**  
 (standard)

\*Grille dimensions furnished approximately 1/2" (13) undersize.

Vertical Section



Top Section

Bottom Blade Clearance	
Outside Section	X= 1/2" (13)
Middle Section	X= 1 1/2" (38)

The illustrated design for this Offset Grille was created to a design load of 30 lbs per square foot. Changes may be required to accommodate other design loads.