

## Application

The VT-654 equipment screen incorporates a vertical "T" blade to match common building cladding systems and screen equipment from line-of-sight. The VT-654 is available in a wide array of finishes including custom color matching.

## Standard Construction

**Material:** Mill finish 6063-T5 extruded aluminum.

**Frame:** 2" x 1 1/2" x 0.081" thick (51 x 38 x 2) angle.

**Blades:** 0.081" (2) thick vertical cladding T-style.

**Mullion:** Visible.

**Minimum Size:** 12" x 12" (305 x 305)

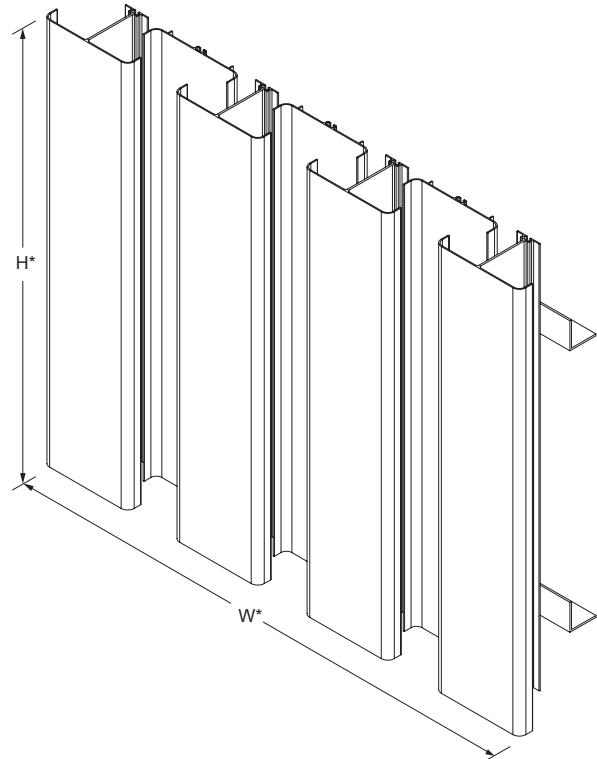
**Maximum Size:** Single section: 72" x 144" (1829 x 3658)  
 144" x 72" (3658 x 1829)  
 Multiple section: Unlimited

## Options

- Factory finish:
  - High Performance Fluoropolymer - 100% resin Newlar®/70% resin Kynar®
  - Baked Enamel
  - Clear or Color Anodized, Class 1
  - Prime Coat
- Welded construction.
- Hinged frame.

## Ratings

**Free Area:** [48" x 48" (1222 x 1222) unit]: 3.4 ft<sup>2</sup> (0.32 m<sup>2</sup>)  
 21.0%



**Model VT-654**  
 (standard)

\*Dimensions furnished  
 approximately 1/2" (13) undersize.

